

**REFRIGERATOR MANUFACTURER**  
**Turbo air**  
 more durable, efficient, beautiful

4184 E. Conant St.  
 Long Beach, CA 90808  
 Tel. 310-900-1000  
 Fax. 310-900-1077  
[www.turboairinc.com](http://www.turboairinc.com)

|                 |       |
|-----------------|-------|
| Project :       |       |
| Model # :       |       |
| Item # :        | Qty : |
| Available W/H : |       |
| Approval :      |       |

## Vertical Open Display Cases

Mid Heights  
 Glass Side Panel

### Patented Self-Cleaning Condenser



This product is equipped with a fine mesh filter to the front of the condenser to catch dust, and a rotating brush that moves up and down daily to remove excess buildup outward and away.

**Model : TOM-50MS-N**



### ≡ FEATURES & BENEFITS ≡

#### ▪ Self-Cleaning Condenser

The accumulation of dust in the condenser can cause the failure or breakdown of refrigerators. Refrigerators run normally until they reach a certain level of accumulation. At some point, when they are over the limit, their performance drops quickly resulting in damage to, or disposal of the stored products inside. The Self-Cleaning Condenser device keeps the condenser clean and prevents system failure by automatically brushing daily.

#### ▪ Hydrocarbon refrigerants (R-290)

With innovative and eco-friendly technology, Turbo Air brings you hydrocarbon refrigerators designed to meet DOE's Energy Conservation Standards in 2017 and to use EPA's SNAP Program approved HC refrigerants. Hydrocarbon refrigerants do not deplete the ozone layer and have very low contribution to global warming (ODP-0, GWP-3).

#### ▪ Modern design

By integrating great contours with durable structures, our modern style product designs are user-friendly while maintaining the highest product visibility and aesthetics. Safety reinforced tempered glass front shield and side walls optimize the merchandiser's display effects of fresh salads, sandwiches, desserts and beverages. Its elegant contemporary euro design will enhance any store application.

#### ▪ Designed to enhance impulsive sales

Ideal for eye-catching displays and convenient access with fast service in high traffic area.

#### ▪ Stainless steel solid shelves standard

#### ▪ Standard back-guard improves airflow

#### ▪ Energy saving night curtain standard

#### ▪ Foamed with polyurethane, high-density cell insulation (CFC free)

#### ▪ Perforated interior back wall and top for improved airflow

#### ▪ Front air intake and rear air discharge

#### ▪ Stainless steel exterior and interior

#### ▪ 8 week lead time applies

NATURAL Refrigerant



| Model             | CU./FT.     | # of Shelves | HP             | AMPS        | Crated Weight (lbs.) | L x D x H (inches)          |
|-------------------|-------------|--------------|----------------|-------------|----------------------|-----------------------------|
| <b>TOM-50MS-N</b> | <b>11.1</b> | <b>3</b>     | <b>3/4 x 2</b> | <b>15.5</b> | <b>567</b>           | <b>50 7/8 x 28 x 60 1/2</b> |

# Vertical Open Display Cases

Mid Heights  
Glass Side Panel

## Model : TOM-50MS-N

| ELECTRICAL DATA           |                     |
|---------------------------|---------------------|
| Voltage                   | 115/60/1            |
| Plug Type                 | Ⓢ NEMA 5-20P        |
| Full Load Amperes         | 15.5                |
| Compressor HP             | 3/4 X 2             |
| Refrigerant               | R-290               |
| DIMENSIONAL DATA          |                     |
| Net Capacity (cu. ft.)    | 11.1                |
| Ext. Length Overall (in.) | 507/8 (1292mm)      |
| Ext. Depth Overall (in.)  | 28 (711mm)          |
| Ext. Height Overall (in.) | 601/2 (1538mm)      |
| Int. Length Overall (in.) | 483/8 (1229mm)      |
| Int. Depth Overall (in.)  | 15 (381mm)          |
| Int. Height Overall (in.) | 337/8 (859mm)       |
| # of Shelves              | 3                   |
| Shelf Size (L X D) (in.)  | 473/4 x 103/4 (Top) |
|                           | 473/4 x 12 (Middle) |
|                           | 473/4 x 12 (Lower)  |
| Power Cord Length (in.)   | 591/8               |
| Net Weight (lbs.)         | 463                 |
| Gross Weight (lbs.)       | 567                 |

Design and specifications subject to change without notice.  
Actual shipping weight may differ due to extra packing materials for product protection.

- **WARRANTY : 2 Year Parts and Labor Warranty**  
Additional 3 Year Warranty on Compressor

### ■ STANDARD FEATURES

- Simple plug-in installation
- Patented self-contained system, no plumbing required
- Solar powered digital thermometer
- Digital electronic thermostat with defrost control
- LED interior lighting
- 8 week lead time applies

### ■ Recommended operating conditions

TOM models are designed to operate in an environment where temperature & humidity do not exceed 75°F and 55% respectively. Units should not be installed near HVAC vents, fans or doorways that will disrupt the air curtain and compromise the function of the cabinet. Air curtain models will run most efficiently when completely loaded with product. When used as a built-in, required clearance for the rear is 4" and the top is 5".

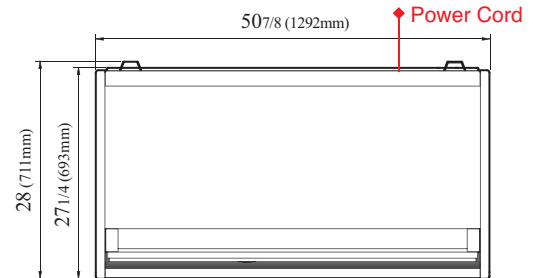
### ■ OPTIONAL ACCESSORIES

- 1.6" caster: CAS16WBT00 (non-brake)
- 4" caster, 1/2" diameter & 13 TPI: G8F6500101 (non-brake), G8F6500201 (w/ brake)
- 6" leveling seismic leg (1/2", 13 TPI): 30221M0700
- Security cover: SC-50-MW (White), SC-50-MB (Black), SCS-50-M
- Price tag channel: P5000000ZK (48 1/4"L)

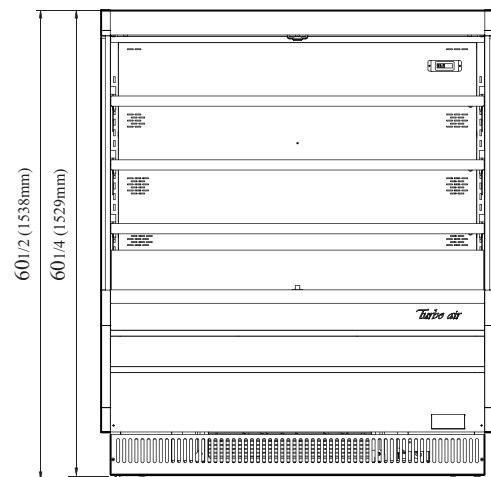
Ver.20191113

## PLAN VIEW

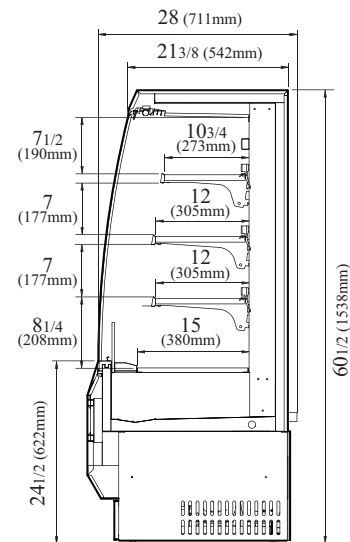
(unit : inch)



TOP VIEW



FRONT VIEW



SIDE VIEW



- Turbo Air : 800-627-0032
- GK : 800-500-3519
- Warranty : 800-381-7770
- AC : 888-900-1002

REFRIGERATOR MANUFACTURER  
**Turbo air**

GERMAN  
KNIFE

RADIANCE

REFRIGERATION SYSTEM  
**Turbo air**

**Texaking**