

REFRIGERATOR MANUFACTURER
Turbo air
 more durable, efficient, beautiful

4184 E. Conant St.
 Long Beach, CA 90808
 Tel. 310-900-1000
 Fax. 310-900-1077
www.turboairinc.com

Project :	
Model # :	
Item # :	Qty :
Available W/H :	
Approval :	

Solid Door Refrigerator

Reach-In Top Mount
 E-line

Model : ER72-3-N

≡ FEATURES & BENEFITS ≡

■ **Hydrocarbon refrigerants (R-290)**

With innovative and eco-friendly technology, Turbo Air brings you hydrocarbon refrigerators designed to meet DOE's Energy Conservation Standards in 2017 and to use EPA's SNAP Program approved HC refrigerants. Hydrocarbon refrigerants do not deplete the ozone layer and have very low contribution to global warming (ODP-0, GWP-3).

■ **Hot gas condensate system**

Through Turbo Air's creative innovation, the condensate system surfaces have been specially treated to resist corrosion. This not only increases efficiency without the risk of refrigerant leakage from corrosion, but also prevents the overflow of condensate water.

■ **Cabinet construction**

E-Line refrigerator model boasts an AL exterior (galvanized steel top, bottom and back) and stainless steel interior with AL inside walls and door liners. It guarantees the utmost in cleanliness and long product life.

■ **LED interior lighting**

■ **Adjustable, heavy duty, PE (polyethylene) coated wire shelves**

■ **High-density polyurethane insulation**

The entire cabinet structure and solid doors are foamed-in-place using high density, CFC free polyurethane insulation.

■ **Self-contained system**

■ **Standard 4" dia. swivel casters with locks on the front set**

■ **Door locks standard**

■ **Solid and sturdy grille design**

■ **Top mount compressor**

■ **Refrigerator holds 33°F ~ 38°F for the best in food preservation**



Model	Swing Door	CU./FT.	#of Shelves	HP	AMPS	Crated Weight (lbs.)	L x D* x H† (inches)
ER72-3-N	3	65.88	9	3/8	5.6	559	77 3/4 X 30 3/4 X 78

Model : ER72-3-N

ELECTRICAL DATA	
Voltage	115/60/1
Plug Type	① NEMA 5-15P
Full Load Amperes	5.6
Compressor HP	3/8
Feed Wires with Ground	3
Cord Length (ft.)	9
Refrigerant	R-290
DIMENSIONAL DATA	
# of Doors	3
# of Racks Accepted	3
Net Capacity (cu. ft.)	65.88
Ext. Length Overall (in.)	77 ³ / ₄ (1976mm)
Ext. Depth Overall (in.)*	30 ³ / ₄ (780mm)
Ext. Height Overall (in.)†	78 (1980mm)
Int. Length Overall (in.)	73 ⁷ / ₈ (1876mm)
Int. Depth Overall (in.)	24 ⁵ / ₈ (625mm)
Int. Height Overall (in.)	54 ¹ / ₄ (1378mm)
# of Shelves	9
Shelf Size (L x D) (in.)	23 x 23 ¹ / ₂ (L/R)
	25 ¹ / ₄ x 23 ¹ / ₂ (M)
Gross Weight (lbs.)	559

Design and specifications subject to change without notice.
Actual shipping weight may differ due to extra packing materials for product protection.
* Depth does not include 2" for rear condensate enclosure.
† Height does not include 5" for caster height.

■ **WARRANTY : 2 Year Parts and Labor Warranty
Additional 3 Year Warranty on Compressor**

■ **STANDARD FEATURES**

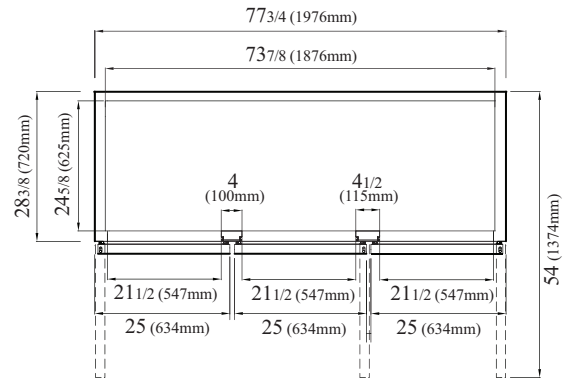
- Self-contained system
- Standard 4" dia. swivel casters with locks on the front set
- Door locks standard
- Magnetic door gaskets
- Solid and sturdy grille design

■ **OPTIONAL ACCESSORIES**

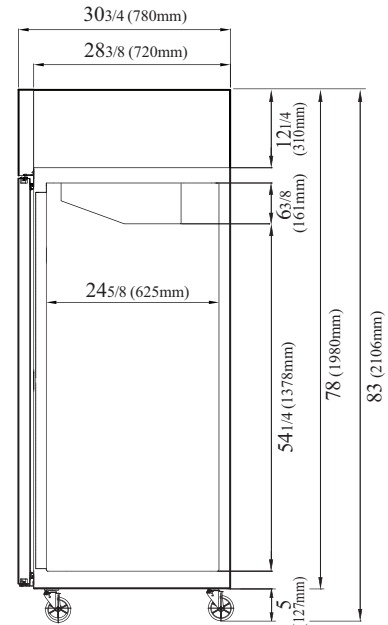
- 5" caster, 1/2" diameter & 13 TPI: M726500100 (non-brake), M726500200 (w/ brake)
- 6" stainless steel leg: 30221M0600
- Half door bun tray rack: TSP-2224 (each holds up to six 18"L x 26"D sheet pans)
- Full door bun tray rack: TSP-2250 (each holds up to fifteen 18"L x 26"D sheet pans)

PLAN VIEW

(unit : inch)



TOP VIEW



SIDE VIEW

Ver.20190402



- Turbo Air : 800-627-0032
- GK : 800-500-3519
- Warranty : 800-381-7770
- AC : 888-900-1002