



Over 90 Years of Quality Foodservice  
Products and Service

Job \_\_\_\_\_ Item No. \_\_\_\_\_

## MOD300 SERIES-THREE WELL TOP-MOUNT, RECTANGULAR DROP-IN WARMERS



**MOD300**



**MOD300TDMAF**

### DESCRIPTION

Wells heavy-duty Modular food warmers are designed to hold heated foods at safe and fresh serving temperatures. Wells MOD300 Series accommodates three 12" X 20" standard food pans or equivalent fractional inset pans that are designed for wet or dry operation.

### SPECIFICATIONS

**Construction** - One-piece stainless steel top flange and heavy-gauge, deep-drawn stainless steel warming pans are standard features on all models. Wellsloks are standard for quick and easy installation.

**Insulation** - Sides, front, back and bottom are fully insulated for energy savings, efficiency, quicker pre-heat and faster recovery.

**Controls & Heating** - Individual controls for each well provide maximum versatility. Models with thermostatic or infinite controls are available. High-limits prevent overheating. Temperature-ready indicator lights are standard on all control types. Powerful tubular heating elements are located under the warming pans for quick and efficient heating and for even heat distribution.

### STANDARD FEATURES

- Accommodates 3 - 12" x 20" standard inset pans or equivalent fractional pans
- One-piece stainless steel top flange and heavy-gauge, deep-drawn stainless steel warming pans
- Suitable for wet or dry operation (wet recommended for best results)
- Fully Insulated models are perfect for non-metal counters
- Thermostatic or infinite controls
- Separate controls for each individual wells
- High limits prevent overheating
- Thermostatic controls are recessed in a one-piece, front-mounted panel
- Wellslok standard for ease of installation
- Powerful tubular heating elements
- 1/2" drains and manifolds available
- Two Year Limited Parts & One Year Limited Labor Warranty

### ADDITIONAL FEATURES

- Auto water-fill to maintain proper water level.
- Select models are field convertible from 3ø to 1ø
- Drains & Drains with manifolds
- Thermostatic or infinite controls

### OPTIONS & ACCESSORIES

- Adaptor tops for round insets
- Inset with lid
- 8oz. soup ladle
- Drain valve extension kit
- Drain screens
- Wellslok extension kits for wood counter installations
- Optional 72" wiring

Sheet No. MOD3 [07/18]



Wells Bloomfield · 265 Hobson St Smithville, Tn 37166 U.S.A.  
Phone (314) 678-6314 · Fax (314) 781-5445 · www.WellsBloomfield.com · Printed in the U.S.A.

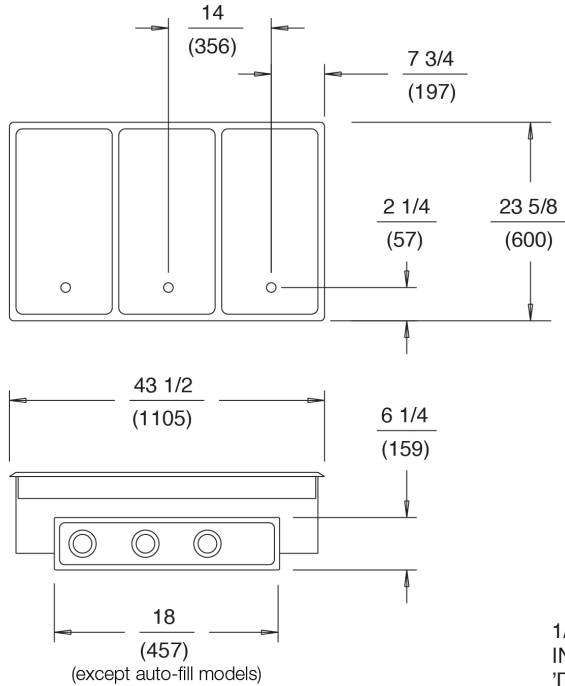
**NOTE:** Specifications are subject to change without notice and are not intended for installation purposes. See installation instructions prior to installing the unit.



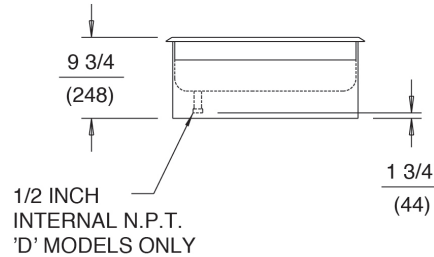
Over 90 Years of Quality Foodservice Products and Service

# MOD300 SERIES-THREE WELL TOP-MOUNT, RECTANGULAR DROP-IN WARMERS

DIMENSIONS:  $\frac{\text{INCH}}{\text{(MM)}}$



MINIMUM CLEARANCE REQUIRED FROM UNIT TO THE NEAREST SURFACE.			
BACK	SIDE	BOTTOM	FRONT
$\frac{1}{25}$	$\frac{1}{25}$	$\frac{6\ 3/4}{171}$	$\frac{4\ 1/8}{105}$



MODELS	DESCRIPTION	VOLTS	WATTS	PHASE	POWER	OVERALL (MM)			PANEL (MM)		WT (kg)	SHIP (kg)	CRATE SIZE (ft <sup>3</sup> )	APPROVED
						WIDTH	LENGTH	HEIGHT	WIDTH	HEIGHT				
MOD300	Infinite controls no drain	208/240V	900/1200	3 $\phi$	none	43.5 (1,105)	23.6 (600)	9.75 (248)	18 (457)	6.25 (159)		73 (33.2)	10.54 (.298)	NSF UL
MOD300SCA	Infinite controls no drain	208/240V	900/800	3 $\phi$	none	43.5 (1,105)	23.6 (600)	9.75 (248)	18 (457)	6.25 (159)		73 (33.2)	10.54 (.298)	NSF SP
MOD300D	Infinite controls w/drain	208/240V	900/1200	3 $\phi$	none	43.5 (1,105)	23.6 (600)	9.75 (248)	18 (457)	6.25 (159)		74 (33.6)	10.54 (.298)	NSF UL
MOD300DM	Infinite controls w/drain & manifold	208/240V	900/1200	3 $\phi$	none	43.5 (1,105)	23.6 (600)	9.75 (248)	18 (457)	6.25 (159)		78 (35.5)	10.54 (.298)	NSF UL
MOD300T	Thermostatic controls no drain	208/240V	1240/1650	3 $\phi$	none	43.5 (1,105)	23.6 (600)	9.75 (248)	18 (457)	6.25 (159)		75 (34.0)	10.54 (.298)	NSF UL
MOD300TD	Thermostatic controls w/drain	208/240V	1240/1650	3 $\phi$	none	43.5 (1,105)	23.6 (600)	9.75 (248)	18 (457)	6.25 (159)		78 (35.5)	10.54 (.298)	NSF UL
MOD300TDM	Thermostatic controls w/drain & manifold	208/240V	1240/1650	3 $\phi$	none	43.5 (1,105)	23.6 (600)	9.75 (248)	18 (457)	6.25 (159)		78 (35.5)	10.54 (.298)	NSF UL
MOD300TDMAF	Thermostatic controls w/drain, manifold, auto-fill	208/240V	1240/1650	3 $\phi$	none	43.5 (1,105)	23.6 (600)	9.75 (248)	35 (889)	6.25 (159)		90 (41)	10.54 (.298)	NSF UL

All MOD300's ship 3 $\phi$  and are field convertible to 1 $\phi$ . AutoFill models require water connection. Refer to owner's manual and installation instructions.



Sheet No. MOD3 [07/18]



Wells Bloomfield · 265 Hobson St Smithville, Tn 37166 U.S.A.  
Phone (314) 678-6314 · Fax (314) 781-5445 · www.WellsBloomfield.com · Printed in the U.S.A.

**NOTE:** Specifications are subject to change without notice and are not intended for installation purposes. See installation instructions prior to installing the unit.