



PROJECT: _____
 LOCATION: _____
 ITEM#: _____
 QUANTITY: _____

COMPETITOR SERIES®



C-RO4B-NG/LP



C-RO6B-NG/LP



C-RO8B-NG/LP



C-RO10B-NG/LP

RANGES (NATURAL GAS & LIQUID PROPANE)

- High polished, stainless steel exterior
- NG 32,000/LP 32,000 BTU/Hr rating per burner
- Heavy duty cast iron removable trivets
- Porcelain enamel over steel oven interior
- Beautiful ergonomic design and easy to clean
- Chrome temperature knobs & oven handle
- Adjustable temperature oven knob
- Standard with 6" casters (2x locking)
- Adjustable oven shelf
- Safety pilot oven shut-off, high limit switch
- Manual ignition of burners
- Valve type: Pilot lit, continuously on
- All burners and gas tubing are constructed of stainless steel
- Migali Industries® Protection Plan: 2 Year Parts & Labor Warranty

MODEL	BURNERS	TOTAL BTU NG / LP	BTU PER BURNER NG / LP	OVEN BTU/H NG / LP	IN TAKE TUBE PRESSURE (W.C.) NG/LP	NOZZLE NO. NATURAL GAS	NOZZLE NO. LIQUID PROPANE	BURNER WORK SURFACE W X D	NO. OF OVENS & INTERIOR DIMENSIONS W X D X H	EXTERIOR DIMENSIONS W X D X H*	PACKAGED DIMENSIONS W X D X H	WEIGHT	PACKAGED WEIGHT
C-RO4B-NG / LP	4	152,000 / 152,000	32,000	24,000 / 24,000	5 / 10	Hotplate - NG45 Oven - NG44	Hotplate - LP54 Oven - LP53	11.8 x 11.8	(1) Oven 20 x 26 x 14	24 x 32.6 x 56.4	24.2 x 41.9 x 41.3	302 lbs.	422 lbs.
C-RO6B-NG / LP	6	219,000 / 219,000	32,000	27,000 / 27,000	5 / 10	Hotplate - NG45 Oven - NG39	Hotplate - LP54 Oven - LP52	11.8 x 11.8	(1) Oven 26.5 x 26 x 14	36 x 32.6 x 56.4	39.2 x 41.9 x 41.3	406 lbs.	561 lbs.
C-RO8B-NG / LP	8	310,000 / 310,000	32,000	(2) Ovens Each - 27,000 / (2) Ovens Each - 27,000	5 / 10	Hotplate - NG45 Oven - NG44	Hotplate - LP54 Oven - LP53	11.8 x 11.8	(2) Ovens 20 x 26 x 14	48 x 32.6 x 56.4	51.2 x 41.9 x 41.3	547 lbs.	758 lbs.
C-RO10B-NG / LP	10	374,000 / 374,000	32,000	(2) Ovens Each - 27,000 / (2) Ovens Each - 27,000	5 / 10	Hotplate - NG45 Oven - NG39	Hotplate - LP54 Oven - LP52	11.8 x 11.8	(2) Ovens 26.5 x 26 x 14	60 x 32.6 x 56.4	63.2 x 41.9 x 41.3	739 lbs.	884 lbs.

*Total height with stainless steel back splash and top shelf

NOTE: Altitudes over 2,000 feet may need high latitude orifice adjustments to deliver BTU output listed

FOR COMMERCIAL USE ONLY

NOTE: MIGALI® RESERVES THE RIGHT TO CHANGE SPECIFICATIONS WITHOUT NOTICE



TOLL FREE: 800.852.5292
 WEB: www.migali.com



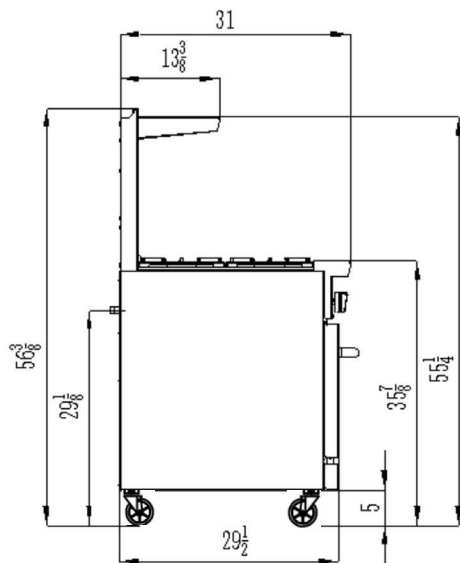
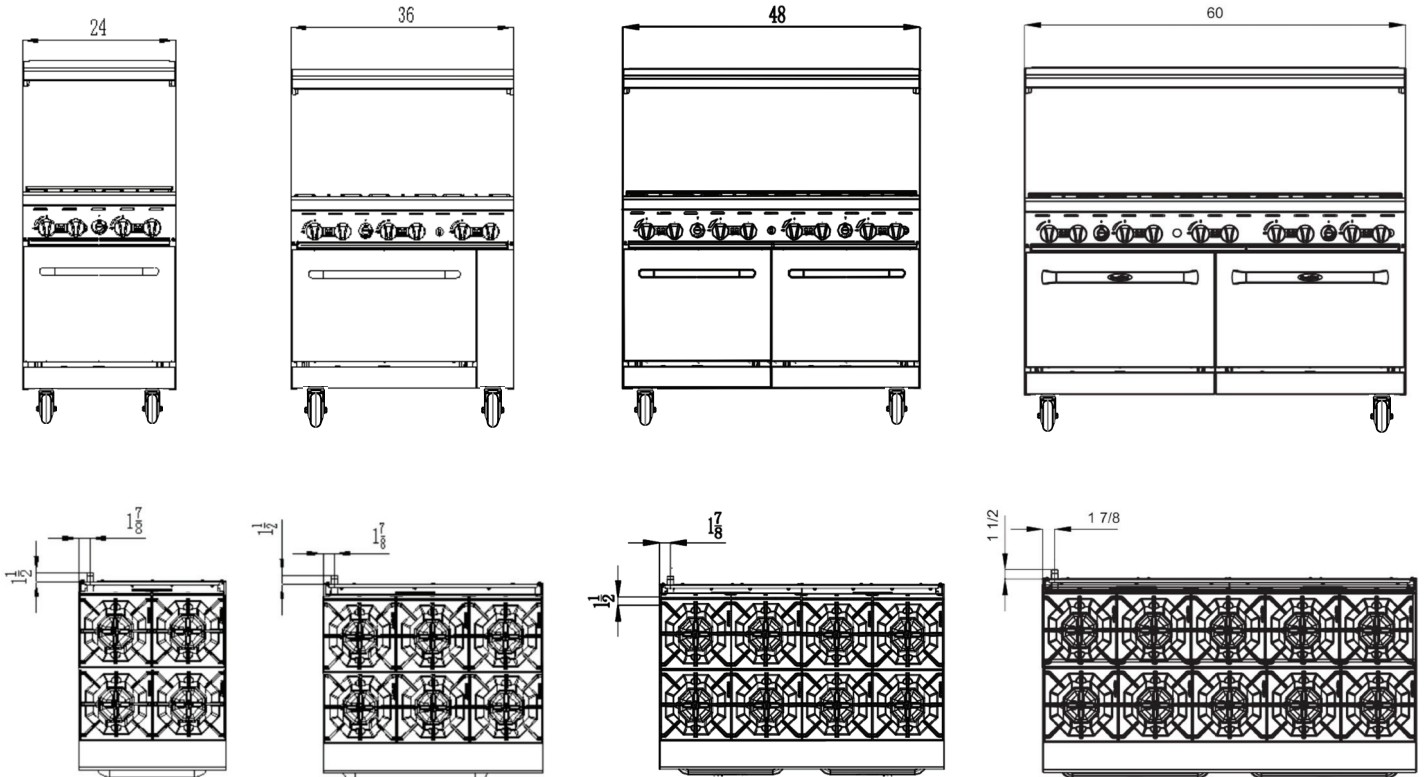
DIMENSIONAL DRAWINGS

C-RO4B-NG/
C-RO4B-LP

C-RO6B-NG/
C-RO6B-LP

C-RO8B-NG/
C-RO8B-LP

C-RO10B-NG/
C-RO10B-LP



SIDE VIEW



MIGALI® REMAINS AN AMERICAN FAMILY COMPANY SINCE 1955