

# UPRIGHT REACH-IN GLASS DOOR REFRIGERATOR TOP MOUNT CONDENSING UNIT

Project Name: \_\_\_\_\_

Project Location: \_\_\_\_\_

Model #: \_\_\_\_\_ Quantity: \_\_\_\_\_

Available Warehouse: \_\_\_\_\_

**ES Series**

**Model: ESGR3A**



### Refrigeration System

- Top mounted, self-contained and fully detachable Blizzard R290 condensing unit uses environmentally friendly, EPA-compliant R290 refrigerant with zero (0) Ozone Depletion Potential (ODP) and three (3) Global Warming Potential (GWP). Blizzard R290 is easily replaceable and requires no on-site brazing.
- Electronically commutated (ECM) fan motors achieve rapid cooling with less energy consumption.
- Full-length air duct system and airflow guard ensure optimal circulation of cold air.
- Time-initiated and temperature-terminated auto defrost cycle for seamless operation.
- Large capacity, corrosion-resistant condenser and evaporator coils.
- Self-maintaining, energy-efficient condensate drain pan requires no external drains or electric heaters.
- High performance, auto-reverse condenser fan motor supports compressor ventilation and condenser coil cleaning. Refer to owner's manual for full maintenance instructions.
- Pressure relief devices allow smooth access to cabinet interior when reopening doors.
- Pre-wired and ready to plug, 115V/60Hz/1Ph, NEMA 5-15P

### Cabinet Construction

- Heavy duty stainless steel interior / exterior with rounded corners for a hazard-free workspace.
- Open spaced interior with no walls between compartments.
- Galvanized steel top, bottom and rear.
- 2.5" thick high density polyurethane insulation.
- Four 5" swivel casters with locks on front set and a front leg stabilizer.

### Lighting

- Shielded LED bar lighting with on/off switch provides bright, high color illumination at lower heat output.

### Doors

- Low emissivity double glass panes reflect UV rays for efficient cooling.
- Matte finish aluminum door frames.
- Frame heaters prevent exterior moisture build up.
- Self-closing with adjustable torsion system for a positive seal.
- Snap-in magnetic door gasket make cleaning and replacement an easy process.
- High strength, die-cast door handles.
- Pre-installed door locks keep your items safe from theft (does not apply to models ESGRH2 and ESGRH4).
- Field reversible.

### Shelving

- Four epoxy coated, steel wire shelves per section.
- Height adjustable stainless steel clips.

### Temperature Control

- Multi-function digital controller with easy to read LED display.
- Factory preset temperature, 35°F. Temperature setting range from 33°F to 54°F.
- Audible overheat protection alarm for compressor and condenser coil.

### Options

- Additional shelving.
- 3" swivel casters with locks.
- 3.5" – 6" height-adjustable and interchangeable legs.

**Operating temperature range is 33°F ~ 54°F**



**5 YEAR Compressor  
3 YEAR Parts & Labor**



Please visit our website for updated Energy Efficiency information

| Ref/<br>Frz/Dual | Doors | Capacity<br>Cu. Ft. | Shelves | Refrigerant | HP  | Power<br>V-Hz-Ph | Amps | Crated<br>Weight   | Exterior Dimensions |                    |                    |
|------------------|-------|---------------------|---------|-------------|-----|------------------|------|--------------------|---------------------|--------------------|--------------------|
|                  |       |                     |         |             |     |                  |      |                    | L                   | D                  | H*                 |
| REF              | 3     | 71                  | 12      | R-290       | 3/4 | 115-60-1         | 7.8  | 663 lbs<br>(301kg) | 74.75"<br>(1899mm)  | 31.625"<br>(803mm) | 74.25"<br>(1886mm) |

(†) Based on evaporating temperature of 23°F (-5°C) & condensing temperature of 131°F (55°C). (►) Product capacity is calculated based on standard industry figures. (✳) Reference plan view for clarification on caster/unit height. If dimensions and capacity are critical, please contact Everest Refrigeration. Blizzard R290 replacement is at the sole discretion of Everest Refrigeration. Specifications subject to change without notice.

# UPRIGHT REACH-IN GLASS DOOR REFRIGERATOR TOP MOUNT CONDENSING UNIT

## ES Series Model: ESGR3A

### DIMENSIONAL DATA

|                          |                  |                 |
|--------------------------|------------------|-----------------|
| External Dimensions      | L                | 74.75" (1899mm) |
|                          | D                | 31.625" (803mm) |
|                          | H*               | 74.25" (1886mm) |
| Crated Weight            | 663 lbs. (301kg) |                 |
| Doors/Drawers/Lids       | 3                |                 |
| Max Weight Support (LBS) | -                |                 |

### STORAGE DATA

|                        |    |
|------------------------|----|
| Net Capacity Cu. Ft. ▶ | 71 |
| Shelves                | 12 |
| Barrels                | -  |
| 20 oz. Bottles         | -  |
| 12 oz. Bottles         | -  |
| 12 oz. Cans            | -  |
| 8" Mugs                | -  |
| # of Pans (Top)        | -  |
| # of Pans (Drawer)     | -  |
| Dividers               | -  |
| Trays                  | -  |

### ELECTRICAL DATA


|                        |              |
|------------------------|--------------|
| Voltage                | 115-60-1     |
| Full Load Amperage     | 7.8A         |
| Feed Wires with Ground | 3            |
| Cord Length            | 9ft          |
| NEMA Plug Type         | ⓘ NEMA 5-15P |

### REFRIGERATION DATA

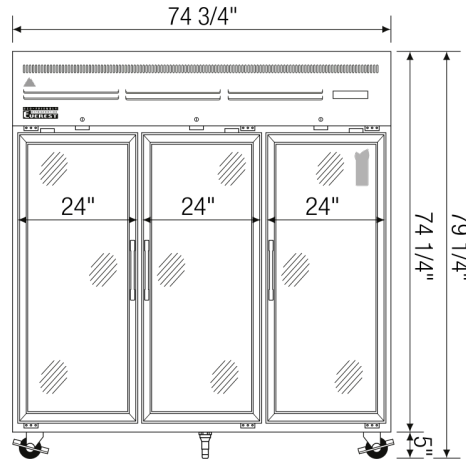
|                     |       |
|---------------------|-------|
| Compressor Mounting | Top   |
| Refrigerant         | R-290 |
| Compressor HP       | 3/4   |
| BTU/HR †            | 4445  |

### KEY

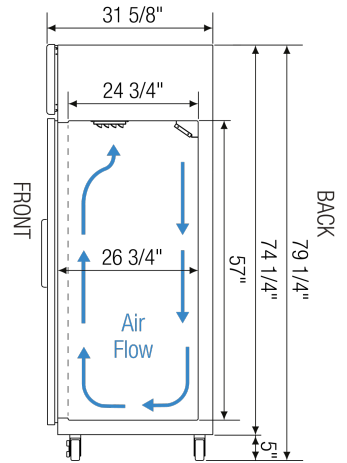
|    |            |      |               |
|----|------------|------|---------------|
| D  | Door       | R    | Refrigerator  |
| L  | Lid        | REF  | Refrigerator  |
| H  | Half Door  | F    | Freezer       |
| FD | Full Door  | FRZ  | Freezer       |
| SD | Solid Door | DUAL | REF/FRZ Combo |
| GD | Glass Door | DR   | Drawer        |

|  |           |       |      |    |      |
|--|-----------|-------|------|----|------|
|  | Elevation | Right | Plan | 3D | Back |
|  |           |       |      |    |      |

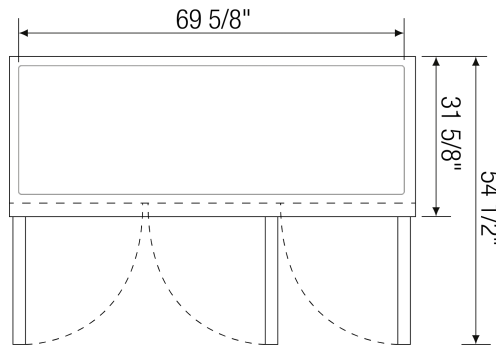
### PLAN VIEW



FRONT



SIDE



TOP

### ACCESSORIES & OPTIONS

| Part Number                | Description  |
|----------------------------|--|
| <b>Additional Shelving</b> | Contact Everest Refrigeration for more information.    |
| <b>AJL03-00</b>            | Interchangeable Leg for Caster                         |
| <b>CASA3-01</b>            | 3" Overall Height Caster Assembly - (2) Front (2) Rear |

(†) Based on evaporating temperature of 23°F (-5°C) & condensing temperature of 131°F (55°C). (▶) Product capacity is calculated based on standard industry figures. (✖) Reference plan view for clarification on caster/unit height. If dimensions and capacity are critical, please contact Everest Refrigeration. Blizzard R290 replacement is at the sole discretion of Everest Refrigeration. Specifications subject to change without notice.