

# BOTTOM MOUNT UPRIGHT REACH-IN GLASS DOOR REFRIGERATOR BOTTOM MOUNT CONDENSING UNIT

Project Name: \_\_\_\_\_

Project Location: \_\_\_\_\_

Model #: \_\_\_\_\_ Quantity: \_\_\_\_\_

Available Warehouse: \_\_\_\_\_

**EB Series**

**Model: EBGNR2**



**Operating temperature  
range is 33°F ~ 54°F**



**5 YEAR Compressor  
3 YEAR Parts & Labor**



Please visit our website for updated Energy Efficiency information

## Refrigeration System

- Bottom mounted, self-contained, fully detachable Blizzard R290 condensing unit uses environmentally friendly, EPA-compliant R290 refrigerant with zero (0) Ozone Depletion Potential (ODP) and three (3) Global Warming Potential (GWP). Blizzard R290 is easily replaceable and requires no on-site brazing.
- Electronically commutated (ECM) fan motors achieve rapid cooling with less energy consumption.
- Full-length air duct system and airflow guard ensure optimal circulation of cold air.
- Time-initiated and temperature-terminated auto defrost cycle for seamless operation.
- Large capacity, corrosion-resistant condenser and evaporator coils.
- Self-maintaining, energy-efficient condensate drain pan requires no external drains or electric heaters.
- High performance, auto-reverse condenser fan motor supports compressor ventilation and condenser coil cleaning. Refer to owner's manual for full maintenance instructions.
- Pressure relief devices allow smooth access to cabinet interior when reopening doors.
- Pre-wired and ready to plug, 115V/60Hz/1Ph, NEMA 5-15P.

## Cabinet Construction

- Heavy duty stainless steel interior / exterior with rounded corners for a hazard-free workspace.
- Open spaced interior with no walls between compartments.
- Galvanized steel top, bottom and rear.
- 2.5" thick high density polyurethane insulation.
- Four 5" swivel casters with locks on front set and two front leg stabilizers.

## Lighting

- Shielded LED bar lighting with on/off switch provides bright, high color illumination at lower heat output.

## Doors

- Low emissivity double glass panes reflect UV rays for efficient cooling.
- Matte finish aluminum door frames.
- Frame heaters prevent exterior moisture build up.
- Self-closing with adjustable torsion system for a positive seal.
- Snap-in magnetic door gasket make cleaning and replacement an easy process.
- High strength, die-cast door handles.
- Pre-installed door locks keep your items safe from theft (from 2017 production).
- Field reversible.

## Shelving

- Four epoxy coated, steel wire shelves per section.
- Height adjustable stainless steel clips.

## Temperature Control

- Multi-function digital controller with easy to read LED display.
- Factory preset temperature, 35°F. Temperature setting range from 33°F to 54°F.
- Audible overheat protection alarm for compressor and condenser coil.

## Options

- Additional shelving.
- 3" swivel casters with locks.
- 3.5" – 6" height-adjustable and interchangeable legs.
- Left hinged door.

| Ref/<br>Frz/Dual | Doors | Capacity<br>Cu. Ft. | Shelves | Refrigerant | HP  | Power<br>V-Hz-Ph | Amps | Crated<br>Weight   | Exterior Dimensions |                    |                 |
|------------------|-------|---------------------|---------|-------------|-----|------------------|------|--------------------|---------------------|--------------------|-----------------|
|                  |       |                     |         |             |     |                  |      |                    | L                   | D                  | H*              |
| REF              | 2     | 33                  | 8       | R-290       | 1/3 | 115-60-1         | 3    | 491 lbs<br>(223kg) | 39.375"<br>(1000mm) | 33.125"<br>(841mm) | 77"<br>(1956mm) |

(†)Based on evaporating temperature of 23°F (-5°C) & condensing temperature of 131°F (55°C). (►) Product capacity is calculated based on standard industry figures. (✳) Reference plan view for clarification on caster/unit height. If dimensions and capacity are critical, please contact Everest Refrigeration. Blizzard R290 replacement is at the sole discretion of Everest Refrigeration. Specifications subject to change without notice.

# BOTTOM MOUNT UPRIGHT REACH-IN GLASS DOOR REFRIGERATOR BOTTOM MOUNT CONDENSING UNIT

**EB Series**

**Model: EBGNR2**


## DIMENSIONAL DATA

|                          |    |                  |
|--------------------------|----|------------------|
| External Dimensions      | L  | 39.375" (1000mm) |
|                          | D  | 33.125" (841mm)  |
|                          | H* | 77" (1956mm)     |
| Crated Weight            |    | 491 lbs. (223kg) |
| Doors/Drawers/Lids       |    | 2                |
| Max Weight Support (LBS) |    | -                |

## STORAGE DATA

|                        |    |
|------------------------|----|
| Net Capacity Cu. Ft. ▶ | 33 |
| Shelves                | 8  |
| Barrels                | -  |
| 20 oz. Bottles         | -  |
| 12 oz. Bottles         | -  |
| 12 oz. Cans            | -  |
| 8" Mugs                | -  |
| # of Pans (Top)        | -  |
| # of Pans (Drawer)     | -  |
| Dividers               | -  |
| Trays                  | -  |

## ELECTRICAL DATA


|                        |                                                                                                |
|------------------------|------------------------------------------------------------------------------------------------|
| Voltage                | 115-60-1                                                                                       |
| Full Load Amperage     | 3A                                                                                             |
| Feed Wires with Ground | 3                                                                                              |
| Cord Length            | 9ft                                                                                            |
| NEMA Plug Type         |  NEMA 5-15P |

## REFRIGERATION DATA

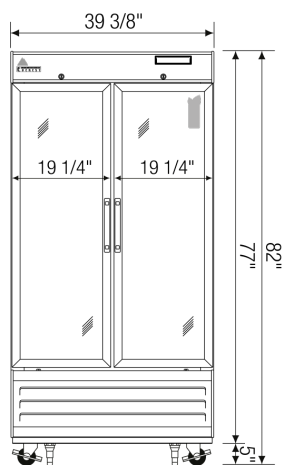
|                     |        |
|---------------------|--------|
| Compressor Mounting | Bottom |
| Refrigerant         | R-290  |
| Compressor HP       | 1/3    |
| BTU/HR †            | 2311   |

## KEY

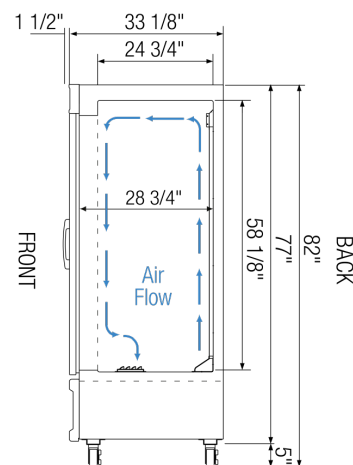
|    |            |      |               |
|----|------------|------|---------------|
| D  | Door       | R    | Refrigerator  |
| L  | Lid        | REF  | Refrigerator  |
| H  | Half Door  | F    | Freezer       |
| FD | Full Door  | FRZ  | Freezer       |
| SD | Solid Door | DUAL | REF/FRZ Combo |
| GD | Glass Door | DR   | Drawer        |

|                                                                                    |           |       |      |    |      |
|------------------------------------------------------------------------------------|-----------|-------|------|----|------|
|  | Elevation | Right | Plan | 3D | Back |
|                                                                                    |           |       |      |    |      |

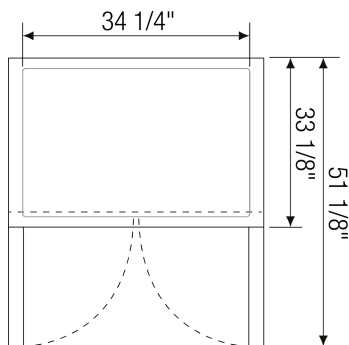
## PLAN VIEW



**FRONT**



**SIDE**



**TOP**

## ACCESSORIES & OPTIONS

| Part Number                | Description                                            |
|----------------------------|--------------------------------------------------------|
| <b>Additional Shelving</b> | Contact Everest Refrigeration for more information.    |
| <b>AJL03-00</b>            | Interchangeable Leg for Caster                         |
| <b>CASA3-01</b>            | 3" Overall Height Caster Assembly - (2) Front (2) Rear |
| <b>Left Hinged Door</b>    | Contact Everest Refrigeration for more information.    |

(†)Based on evaporating temperature of 23°F (-5°C) & condensing temperature of 131°F (55°C). (▶) Product capacity is calculated based on standard industry figures. (✖) Reference plan view for clarification on caster/unit height. If dimensions and capacity are critical, please contact Everest Refrigeration. Blizzard R290 replacement is at the sole discretion of Everest Refrigeration. Specifications subject to change without notice.