

CBSP Gas Stock Pot Range

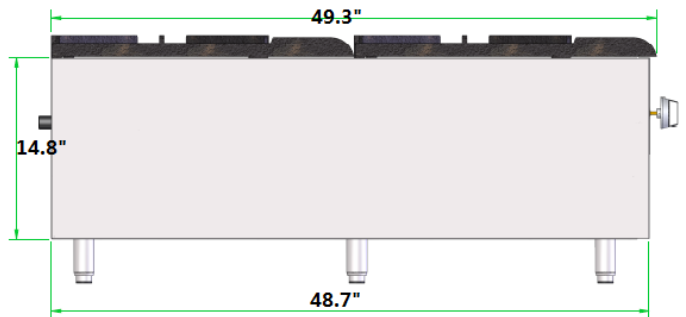
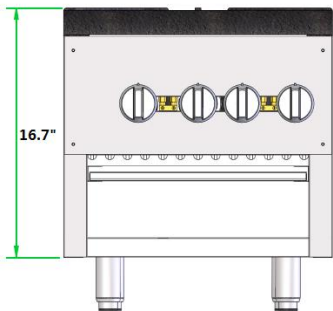
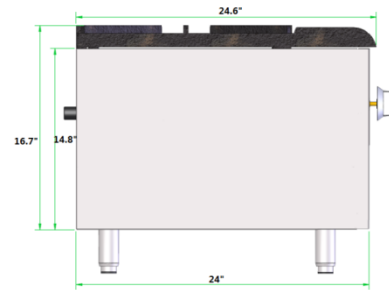
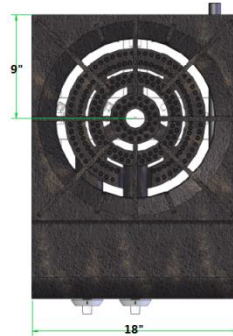
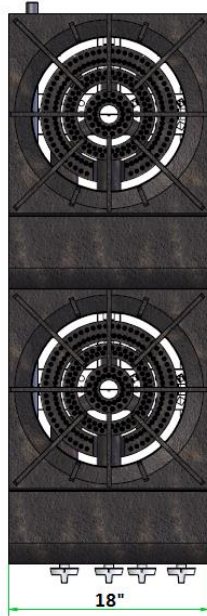
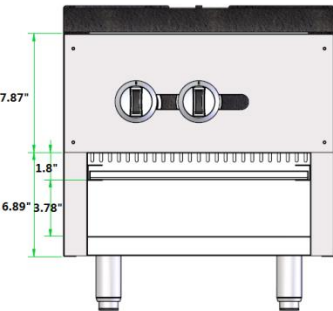


Model: CBSP-1

- SP-1 Gas single stock pot range
- SP-2 Gas double stock pot range

STANDARD FEATURES

- Stainless steel front and sides
- Cast iron 2-ring burner (55,000 BTU/hr each)
- 18" x24.6"(46x62.5cm) cast iron grate
- Standby S/S pilot for easy start
- Adjustable heavy duty legs
- Fiberglass nylon knobs
- Crumb tray
- Durable brass valve for individual control
- Easy access pilot valve adjustment screws
- Easy gas conversion in field
- 3/4" NPT rear gas connection
- Shipped with gas regulator
- One year limited parts and labor warranty



Model	Description	BTU/HR (Natural gas)	BTU/HR (Propane)	Packing Size(IN)	N/W (LB)	G/W (LB)
SP-1	Gas stock pot	110,000	85,000	24x30.3x20	71	95
SP-2	Gas stock pot	220,000	170,000	24x57x20	196	275