



AUR-72 3 DOOR UNDERCOUNTER REFRIGERATOR

INCLUDE 3 YEAR PARTS + LABOR / 5 YEAR COMPRESSOR WARRANTY

Dimensions

| | |
|------------------------------------|----------------------|
| Exterior Dimensions (WxDxH) | 72.4" x 30" x 35.83" |
| Interior Dimensions Top (WxDxH) | |
| Interior Dimensions Bottom (WxDxH) | |
| Cutting Board Dimensions (WxDxH) | |
| Capacity (cu. ft.) | 18.75 cu. ft. |
| Weight | 267 lbs |
| Packaging Dimensions (WxDxH) | |

Construction

Exterior Material
 Interior Material
 Insulation Material
 Shelf Material
 Shelf Load Capacity
 # Shelves

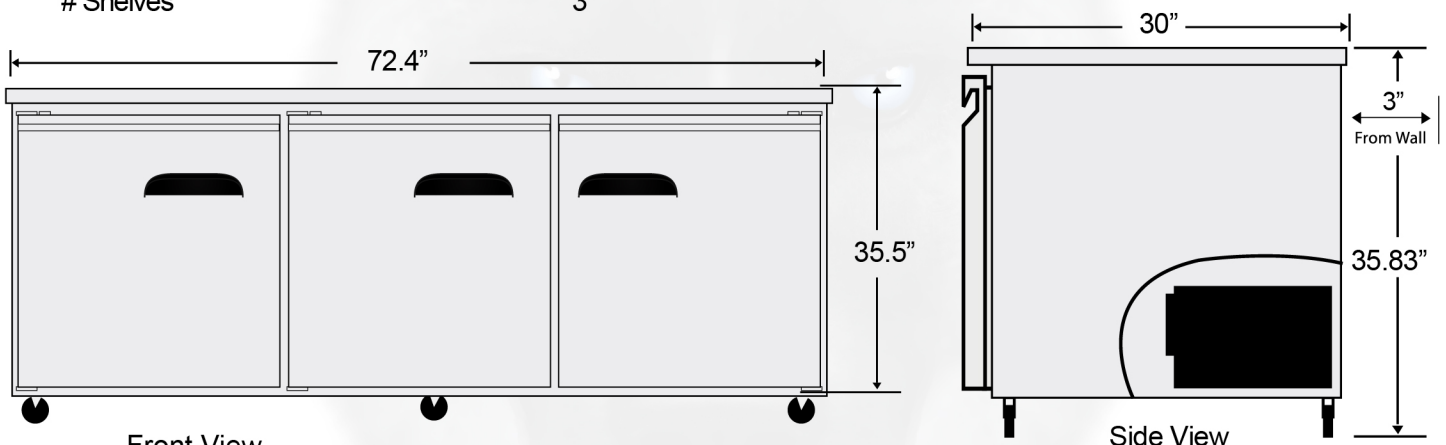
3

Cooling

| | |
|------------------------------------|-------------|
| Temperature Range | 32° - 41° F |
| Refrigerant | R290 |
| Maximum Ambient Temperature Rating | |
| Defrosting | Automatic |
| Temperature Display | Yes |
| Temperature Controller | Digital |
| H/P | 3/8 |

Electrical

Voltage 115
 Amps
 Hz
 Phase



Front View

Side View

Top View

