



# REFRIGERATION

SERVING THE FOOD INDUSTRY SINCE 1951

## 22-INCH SINGLE DOOR GLASS REFRIGERATOR

Item: 50033 Model: RE-CN-0009-HC



### THE PERFECT SOLUTION TO EXHIBIT COLD MERCHANDISE

Omcan's 22-inch single door glass refrigerator is perfect for your products, with the outside material made from painted steel. Its crystal clear, self closing door is perfect to see the products inside. It also features automatic defrosting and high density polyurethane insulation.



### WARRANTY

2 YEARS PARTS & LABOR  
5 YEARS ONLY ON COMPRESSOR



Authorized Dealer

# REFRIGERATION

## 22-INCH SINGLE DOOR GLASS REFRIGERATOR



### TECHNICAL SPECIFICATION

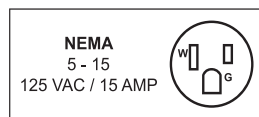
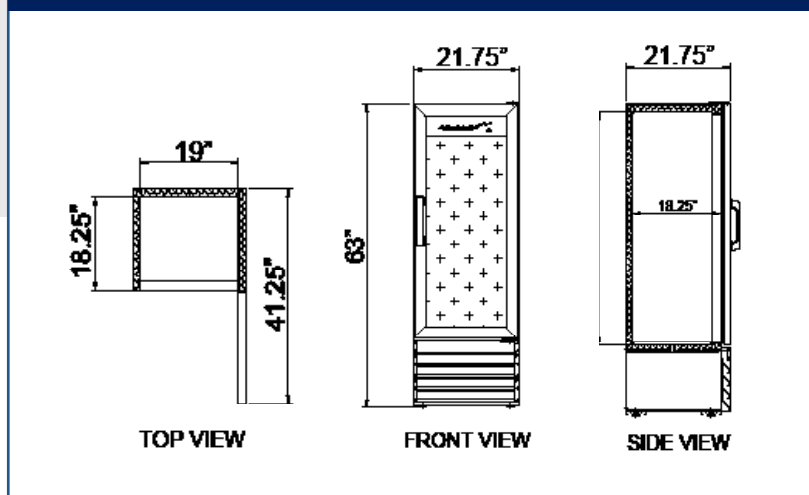
ITEM NUMBER	50033
MODEL	RE-CN-0009-HC
DESCRIPTION	Single Door Glass Refrigerator
TEMPERATURE RANGE	0.5°C - 5°C / 33°F - 41°F
MAX AMBIENT TEMP RATING	90°F
POWER	1/5
ELECTRICAL	110 V/60Hz/1Ph
AMPS	2.88
REFRIGERANT	R290
ISOLATION MATERIAL	Cyclopentane
COOLING SYSTEM	Ventilated
NUMBER OF DOORS	1
NUMBER OF SHELVES	4
SHELF CAPACITY	25kg
EXTERIOR DIMENSIONS (WDH)	21.75" x 21.75" x 63"/ 552.5 x 552.5 x 1600 mm
INTERIOR DIMENSIONS (WDH)	19" x 18" x 46"/ 480 x 465 x 1170 mm
PACKAGING DIMENSIONS	24.4" x 25.6" x 69"/ 620 x 650 x 1755 mm
NET VOLUME	9.1 cu.ft/ 258 L
NET WEIGHT	73 kg/ 161 lbs
GROSS WEIGHT	85kg/ 187 lbs



### Features:

- Outside material: Painted steel
- Self-closing doors
- Adjustable heavy-duty PVC coated shelves
- Automatic defrosting
- Removable door gasket
- Digital controller and compressor
- Shelf Capacity: 25 kg.
- Temperature range: 0.5°C - 5°C / 33°F - 41°F
- Removable installation board makes it easy to access condenser coil for maintenance

### TECHNICAL DRAWING AND DIMENSIONS



## OMCAN INC.

Telephone: 1-800-465-0234  
 Fax: (905) 607-0234  
 Email: sales@omcan.com  
 Website: www.omcan.com



Follow us to keep up to date with the latest news and offers

