



REFRIGERATION

SERVING THE FOOD INDUSTRY SINCE 1951

49-INCH GLASS DOOR FREEZERS WITH 2 DOORS

Item: 50031 Model: FR-CN-1250-HC | Item: 38025 Model: FR-CN-1250-C



Product might not be exactly as shown

HIGH PERFORMANCE AND QUALITY COMMERCIAL FREEZER

These glass door units feature self closing glass doors and high density polyurethane insulation.

Features:


- Outside material: Painted steel
- LED lighting
- Self-closing doors
- Removable door gasket
- Plastic coated steel shelves with shelf tag holder
- Automatic defrosting
- Removable installation board for easy maintenance
- Polyurethane insulation

Item 38025 is available in Canada only.

2 YEARS WARRANTY
 2 YEARS PARTS & LABOR
 5 YEARS ONLY ON COMPRESSOR



NEMA
 5 - 20R
 125 VAC / 20 AMP
 RECEPTACLE



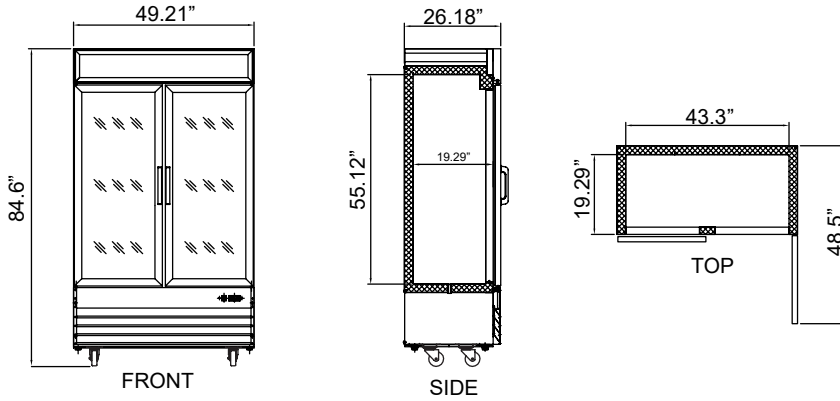

Authorized Dealer

REFRIGERATION

49-INCH GLASS DOOR FREEZERS WITH 2 DOORS



TECHNICAL DRAWING / DIMENSIONS



TECHNICAL SPECIFICATION

ITEM NUMBER	50031	38025
MODEL	FR-CN-1250-HC	FR-CN-1250-C
DESCRIPTION	2-Door Glass Freezer with "D" type breaker	2-Door Glass Freezer with a crankcase pressure regulator installed
TEMPERATURE RANGE	-23°C - -18°C / -10°F - 0°F	-22°C - -18°C / -7.6°F - -0.4°F
MAX AMBIENT TEMP. RATING	32°C / 90°F	32°C / 90°F
POWER	0.75 HP	1.58 HP
ELECTRICAL	110V/60Hz/1Ph	110V/60Hz/1Ph
AMPS	9.4	12
REFRIGERANT	R290	R404a
COOLING SYSTEM	Ventilated	Ventilated
NUMBER OF DOORS	2	2
NUMBER OF SHELVES	8	8
NET VOLUME	29 cu.ft. / 830 liters	25 cu.ft. / 708 liters
SHELF CAPACITY	90 lbs. / 41 kg.	90 lbs. / 41 kg.
EXTERIOR DIMENSIONS (WDH)	49.21" x 26.18" x 84.6" / 1250 x 665 x 2148.84 mm	49.21" x 26.18" x 84.6" / 1250 x 665 x 2148.84 mm
INTERIOR DIMENSIONS (WDH)	43.3" x 19.29" x 55.12" / 1100 x 490 x 1400 mm	43.3" x 19.29" x 55.12" / 1100 x 490 x 1400 mm
PACKAGING DIMENSIONS	52.16" x 30.31" x 87" / 1325 x 770 x 2210 mm	52.16" x 30.31" x 87" / 1325 x 770 x 2210 mm
NET WEIGHT	397 lbs. / 180 kg.	397 lbs. / 180 kg.
GROSS WEIGHT	452 lbs. / 205 kg.	452 lbs. / 205 kg.



OMCAN INC.

Telephone: 1-800-465-0234

Fax: (905) 607-0234

Email: sales@omcan.com

Website: www.omcan.com



Follow us to keep up to date with the latest news and offers



2017E&OE