



REFRIGERATION

SERVING THE FOOD INDUSTRY SINCE 1951

## 47 CU.FT. REACH IN FREEZER WITH 2 DOORS

Item: 50025 | Model: FR-CN-1372-HC



*High Performance  
And Quality Reach In  
Freezer*



**WARRANTY**  
PARTS AND LABOR



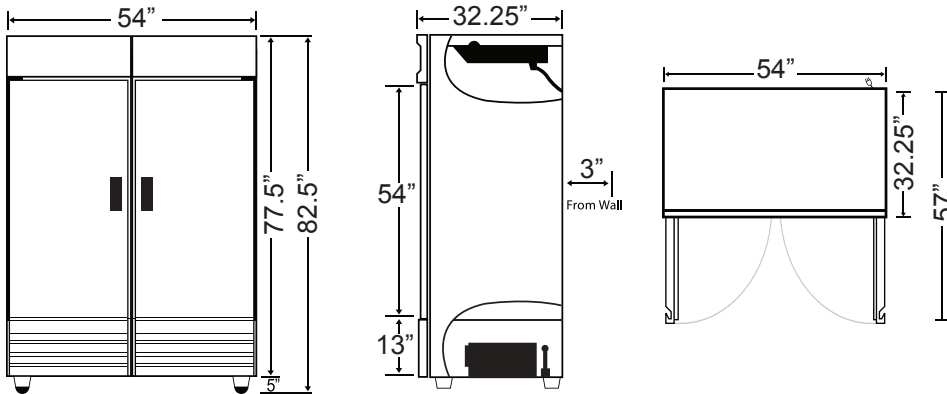
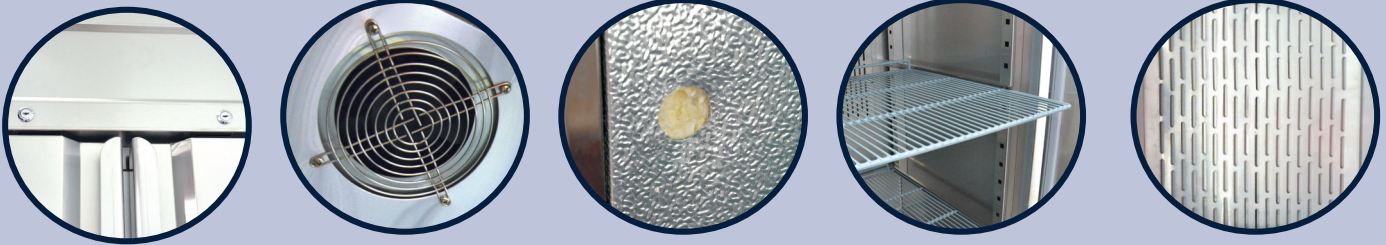
Authorized Dealer

# REFRIGERATION

47 CU.FT. REACH IN FREEZER WITH 2 DOORS



## Detail Shots



The commercial refrigerators and freezers are designed to provide high performance and efficiency. Easily control temperature with the digital temperature control and LCD display.

## Features:

- Stainless Steel exterior and interior
- Adjustable heavy-duty PVC coated shelves
- Digital control system
- Automatic defrost
- Interior lighting
- Self-closing doors
- Heavy-duty casters with brakes

NEMA  
5 - 20R  
125 VAC / 20 AMP  
RECEPTACLE



## PRODUCT SPECIFICATIONS

ITEM NUMBER	50025	COOLING SYSTEM	Ventilated
MODEL	FR-CN-1372-HC	NUMBER OF DOORS	2
DESCRIPTION	Freezer	NUMBER OF SHELVES	6
TEMPERATURE RANGE	-22°C - 18°C / -8°F - 0°F	SHELF CAPACITY	90 lbs. / 41 kg.
MAX AMBIENT TEMP RATING	32°C / 90°F	EXTERIOR DIMENSIONS (WDH)	54" x 32" x 82.5" / 1371.6 x 813 x 2095.5 mm
HORSEPOWER	1 HP / 0.75kW	INTERIOR DIMENSIONS (WDH)	49.4" x 27" x 60.24" / 1254.8 x 685.9 x 1530 mm
ELECTRICAL	110V/60Hz/1Ph	PACKAGING DIMENSIONS	56.3" x 34.6" x 85.4" / 1430 x 879 x 2169 mm
AMPS	10.7	NET VOLUME	47 cu. ft.
REFRIGERANT	R290	WEIGHT	496 lbs. / 225 kg.
ISOLATION MATERIAL	cyclopentane	PACKAGING WEIGHT	560 lbs. / 254 kg.

## OMCAN INC.

Telephone: 1-800-465-0234  
 Fax: (905) 607-0234  
 Email: sales@omcan.com  
 Website: www.omcan.com



Follow us to keep up to date with the latest news and offers



2017E&OE