



PROJECT: _____
 LOCATION: _____
 ITEM#: _____
 QUANTITY: _____

COMPETITOR SERIES®



C-PP44



C-PP67



C-PP93

PIZZA PREPARATION TABLES

- Beautiful ergonomic construction & rounded corners
- Digital temperature controller and read-out
- All stainless steel exterior and interior
- Forced air refrigeration system
- Side mount compressor for enhanced efficiency
- 19 1/2" deep cutting board included
- Recessed door handles
- Pre-installed casters and shelving
- 90 degree hold open door feature for loading products
- Migali® Protection Plan: 1 Year Parts & Labor Warranty, 5 Years Compressor Warranty

MODEL	DOORS	Num. of 1/3 Size Pans*	Cu/Ft	SHELVES	H/P	AMPS	VOLTAGE	WEIGHT(lbs)	ENERGY CONSUMPTION Kwh/24hr	PLUG TYPE	DIMENSIONS L x D x H*	TEMPERATURE RANGE
C-PP44	1	6	14	1	1/3	4.4	115/60/1	309 lbs.	2.9	Nema 5-15P	44" x 33" x 42"	+33° F (-) +41° F
C-PP67	2	9	20	2	1/3	7.6	115/60/1	550 lbs.	3.9	Nema 5-15P	67" x 33" x 42"	+33° F (-) +41° F
C-PP93	3	12	26	3	2/3	9	115/60/1	617 lbs.	4.8	Nema 5-15P	93" x 33" x 42"	+33° F (-) +41° F

* MIGALI® RESERVES THE RIGHT TO CHANGE SPECIFICATIONS WITHOUT NOTICE

* NOTE: PANS & PAN BARS ARE NOT INCLUDED

* TOTAL HEIGHT INCLUDES CASTERS

* HEIGHT IS FLOOR TO TOP OF BACK PAN RAIL



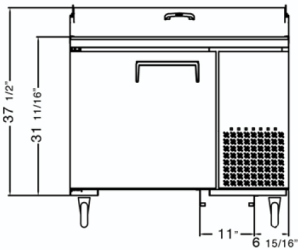
TOLL FREE: 800.852.5292
 WEB: www.migali.com



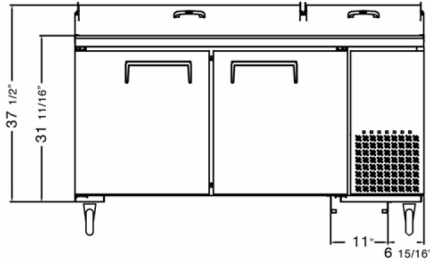
MIGALI® REMAINS AN AMERICAN FAMILY COMPANY SINCE 1955

DIMENSIONAL DRAWINGS

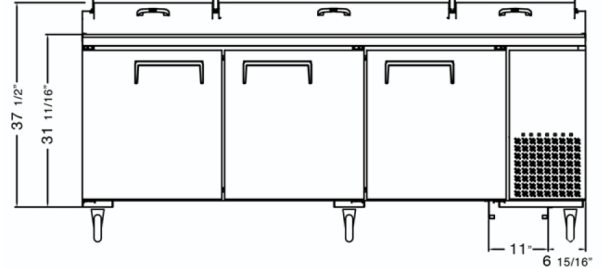
C-PP44



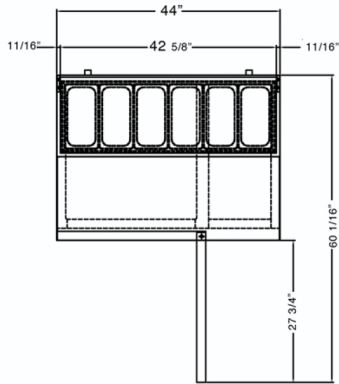
C-PP67



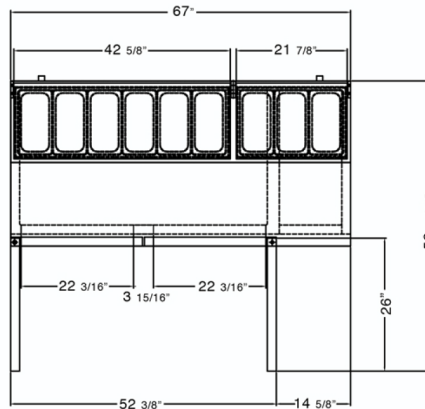
C-PP93



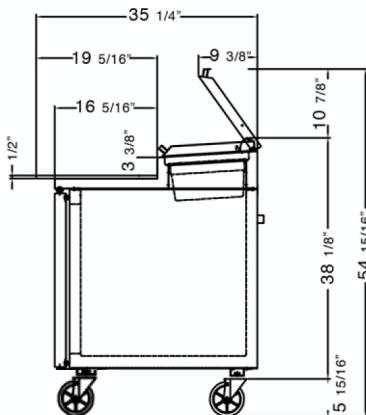
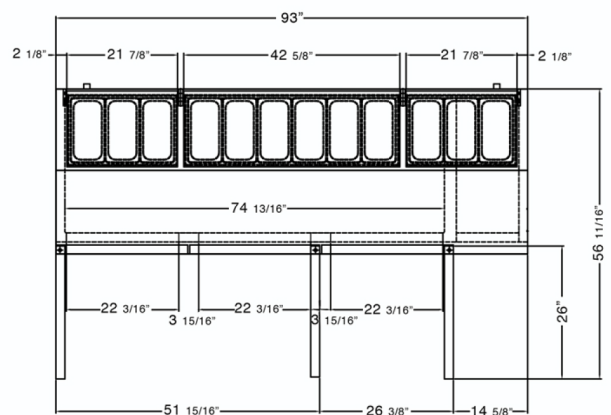
C-PP44 TOP VIEW



C-PP67 TOP VIEW



C-PP93 TOP VIEW



SIDE VIEW (1,2,3 DOOR)

TOLL FREE: 800.852.5292
 FAX: 856.963.3604
 EMAIL: contact@migali.com
 WEB: www.migali.com



MIGALI® REMAINS AN AMERICAN FAMILY COMPANY SINCE 1955