

PROJECT:	_____
LOCATION:	_____
ITEM#:	_____
QUANTITY:	_____

COMPETITOR SERIES®

C-DD23-1

C-DD48-2

C-DD60-2

C-DD72-3

DIRECT DRAW BEER DISPENSER REFRIGERATORS

- Beautiful ergonomic appearance
- Digital Controller with Temperature Read-out
- Black corrosion resistant steel exterior, stainless steel interior and stainless steel top
- Forced air refrigeration system
- Air tubes to refrigerate beer towers
- Side mount compressor
- Recessed door handles
- (4) leveling feet included. Model C-DD23-1 included (4) casters
- Each single head beer tower includes (1) sanky and beer line
- Accessory: optional casters upon request
- Migali® Protection Plan: 1 Year Parts & Labor Warranty, 5 Years Compressor Warranty

MODEL	DOORS	CUBIC CAPACITY Cu/Ft	1/2 BARREL KEG CAPACITY*	BEER TOWERS INCLUDED	H/P	AMPS	VOLTAGE	PLUG TYPE	TEMP RANGE	EXTERIOR DIMENSIONS W x D x H**	INTERIOR DIMENSIONS W x D x H	PACKAGED DIMENSIONS W x D x H	WEIGHT	PACKAGED WEIGHT
C-DD23-1	1	7	1	(1) single head	1/6+	1.7	115/60/0	Nema 5-15P	+33° F (-) +41° F	23.5" x 30.5" x 38.63"	19.63" x 19" x 31"	27" x 34" x 42"	143 lbs.	187 lbs.
C-DD48-2	2	11.8	2	(1) single head	1/3	6.4	115/60/1	Nema 5-15P	+33° F (-) +41° F	48.75" x 24.4" x 35.75"	36" x 20.13" x 31"	51" x 27" x 39"	325 lbs.	355 lbs.
C-DD60-2	2	15.8	2	(2) single head	1/3	6.4	115/60/1	Nema 5-15P	+33° F (-) +41° F	60.8" x 24.4" x 35.75"	48" x 20.13" x 31"	63" x 27" x 39"	394 lbs.	421 lbs.
C-DD72-3	3	19.6	3	(2) single head	1/3	7.4	115/60/1	Nema 5-15P	+33° F (-) +41° F	72.8" x 24.4" x 35.75"	60" x 20.13" x 31"	75" x 27" x 39"	423 lbs.	456 lbs.

* More combinations of keg types on spec sheet
 ** Height does not include draft tower

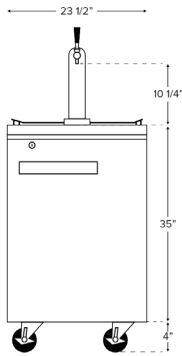
Accessories:

- Dual Head Beer Tower (includes beer line and sanky)
- Dual Head beer Tower CO2 gas tank and regulator are not included

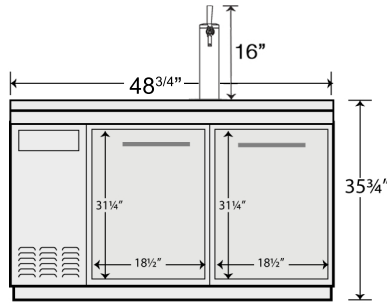
NOTE: MIGALI® RESERVES THE RIGHT TO CHANGE SPECIFICATIONS WITHOUT NOTICE

DIMENSIONAL DRAWINGS

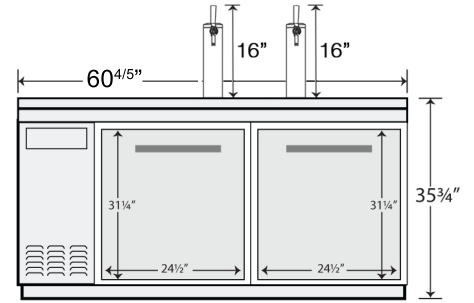
C-DD23-1



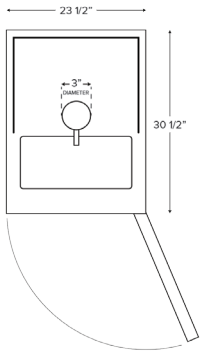
C-DD48-2



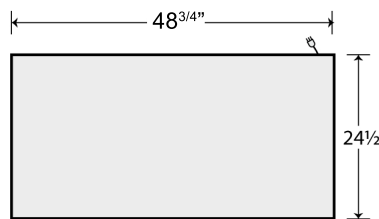
C-DD60-2



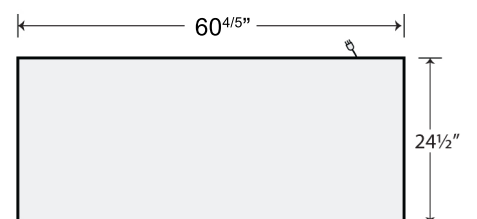
C-DD23-1 TOP VIEW



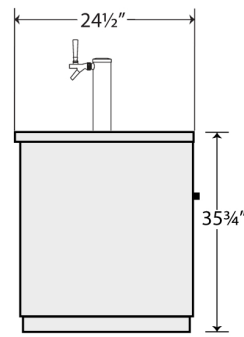
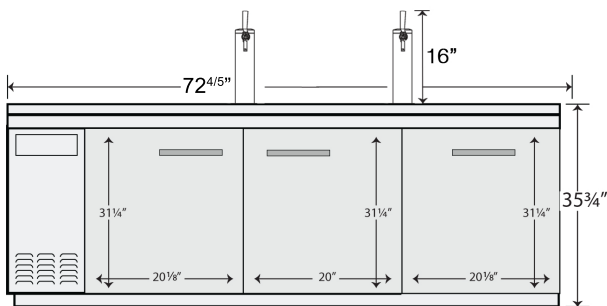
C-DD48-2 TOP VIEW



C-DD60-2 TOP VIEW

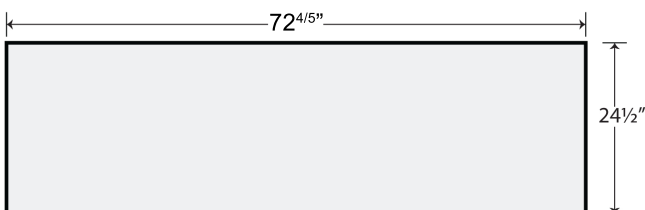


C-DD72-3



SIDE VIEW (1,2,3 DOORS)

C-DD72-3 TOP VIEW



MIGALI® REMAINS AN AMERICAN FAMILY COMPANY SINCE 1955