



REFRIGERATION

SERVING THE FOOD INDUSTRY SINCE 1951

24-INCH OPEN REFRIGERATED FLOOR DISPLAY CASE

Item: 25825 Model: RS-CN-0250



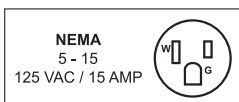
KEEP YOUR PRODUCTS PROPERLY CHILLED AND INCREASE IMPULSE

Ideal for restaurants, cafes, and/or bakeries, Omcan's 24-inch open refrigerated floor display case is perfect for your customers to easily see what products are for sale. Featuring its crystal clear glass design, this display case has interior LED lighting which brings highlight to your food, as well as digital temperature controls. It also features pull down curtain, wire, chrome-coated shelves, and adjustable shelf positions.

Product may not be exactly as shown.



WARRANTY
PARTS AND LABOR



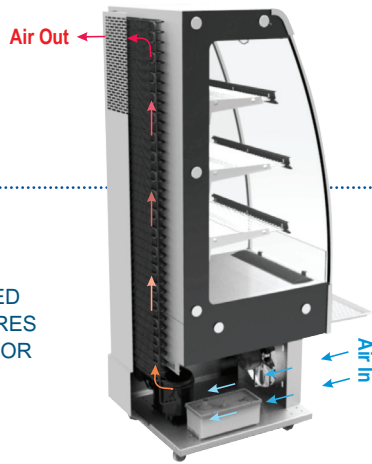
Authorized Dealer

REFRIGERATION

24-INCH OPEN REFRIGERATED FLOOR DISPLAY CASE 25825



FEATURES



CONDENSER LOCATED ON THE BACK, ENSURES SUFFICIENT SPACE FOR AIR COOLING



CONDENSER FAN MOTOR BUILT IN FRONT FOR EASY ACCESS



EQUIPPED WITH DIGITAL DISPLAY, HIDDEN CASTERS & TWO ADJUSTABLE FEET

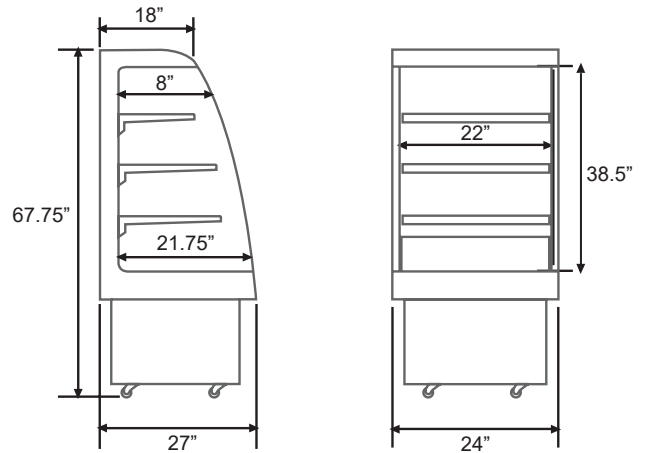


REMOVABLE FILTER NET MAKES CLEANING EASY

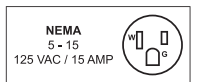
TECHNICAL SPECIFICATION

ITEM NUMBER	25825
MODEL	RS-CN-0250
POWER	0.65 kW
ELECTRICAL HEATING ELEMENT	0.40 kW
CAPACITY (L / CU. FT.)	252 L / 8.9 cu. ft.
ELECTRICAL	110V/60Hz/1Ph
LAMP POWER (W)	1.44*4 (LED)
TEMPERATURE RANGE	2 - 10°C / 36 - 50 °F
REFRIGERANT	R404a
BLOWING GAS	XPS
TYPE OF CLIMATE	6
RATED CURRENT (A)	10
WEIGHT	282 lbs. / 128 kg.
PACKAGING WEIGHT	298 lbs. / 135 kg.
OVER-ALL DIMENSIONS	27" x 24" x 67.75" 686 x 610 x 1721 mm
INNER DIMENSIONS	21.75" x 22" x 38.5" 552 x 559 x 978 mm
SHELF SIZE	15" x 21.75" / 381 x 552 mm (2pc.) 12" x 21.75" / 305 x 552 mm (1pc.)
PACKAGING DIMENSIONS	30" x 28" x 70" / 762 x 711 x 1778 mm

TECHNICAL DRAWING AND DIMENSIONS



WARRANTY
PARTS AND LABOR



OMCAN INC.

Telephone: 1-800-465-0234

Fax: (905) 607-0234

Email: sales@omcan.com

Website: www.omcan.com



Follow us to keep up to date with the latest news and offers



2015.E.O.E