



**Electric Pizza Ovens**  
Models PE-CN-1800-S, \*3200-D  
Items 24210, \*39580  
**Instruction Manual**



**STOP**  
**DO NOT RETURN**  
**THIS PRODUCT TO THE STORE**

For questions or assistance with this product call OMCAN Toll Free:  
1 800 465 0234  
Customer Service  
or  
visit the Support section of  
[www.omcan.com](http://www.omcan.com)

*Revised - 05/08/2017*

*\*Locally QPS  
Approved*

Toll Free: 1-800-465-0234  
Fax: 905-607-0234  
Email: [service@omcan.com](mailto:service@omcan.com)  
[www.omcan.com](http://www.omcan.com)



NEMA 5 - 20 125 VAC / 20 AMP	
NEMA 6 - 20 250 VAC / 20 AMP	

# ***Table of Contents***

Model PE-CN-1800-S / Model PE-CN-3200-D

---

<b>Section</b>	<b>Page</b>
General Information -----	3 - 4
Safety and Warranty -----	4 - 5
Technical Specifications -----	5
Installation -----	5 - 6
Operation -----	6
Maintenance -----	6
Parts Breakdown -----	7 - 9
Electrical Schematics -----	10 - 11
Notes -----	12 - 14
Warranty Registration -----	15



# General Information

---

Omcan Manufacturing and Distributing Company Inc., Food Machinery of America, Inc. dba Omcan and Omcan Inc. are not responsible for any harm or injury caused due to any person's improper or negligent use of this equipment. The product shall only be operated by someone over the age of 18, of sound mind, and not under the influence of any drugs or alcohol, who has been trained in the correct operation of this machine, and is wearing authorized, proper safety clothing. Any modification to the machine voids any warranty, and may cause harm to individuals using the machine or in the vicinity of the machine while in operation.

## CHECK PACKAGE UPON ARRIVAL

Upon receipt of an Omcan shipment please inspect for external damage. If no damage is evident on the external packaging, open carton to ensure all ordered items are within the box, and there is no concealed damage to the machine. If the package has suffered rough handling, bumps or damage (visible or concealed), please note it on the bill of lading before accepting the delivery and contact Omcan within 24 hours, so we may initiate a claim with the carrier. A detailed report on the extent of the damage caused to the machine must be filled out within three days, from the delivery date shown in the shipping documents. Omcan has no recourse for damaged products that were shipped collect or third party.

**Before operating any equipment, always read and familiarize yourself with all operation and safety instructions.**

Omcan would like to thank you for purchasing this machine. It's of the utmost importance to save these instructions for future reference. Also save the original box and packaging for shipping the equipment if servicing or returning of the machine is required.

---

Omcan Fabrication et distribution Compagnie Limitée et Food Machinery d'Amérique, dba Omcan et Omcan Inc. ne sont pas responsables de tout dommage ou blessure causé du fait que toute personne ait utilisé cet équipement de façon irrégulière. Le produit ne doit être exploité que par quelqu'un de plus de 18 ans, sain d'esprit, et pas sous l'influence d'une drogue ou d'alcool, qui a été formé pour utiliser cette machine correctement, et est vêtu de vêtements de sécurité appropriés. Toute modification de la machine annule toute garantie, et peut causer un préjudice à des personnes utilisant la machine ou des personnes à proximité de la machine pendant son fonctionnement.

## VÉRIFIEZ LE COLIS DÈS RÉCEPTION

Dès réception d'une expédition d'Omcan veuillez inspecter pour dommages externes. Si aucun dommage n'est visible sur l'emballage externe, ouvrez le carton afin de s'assurer que tous les éléments commandés sont dans la boîte, et il n'y a aucun dommage dissimulé à la machine. Si le colis n'a subi aucune mauvaises manipulations, de bosses ou de dommages (visible ou cachée), notez-le sur le bond de livraison avant d'accepter la livraison et contactez Omcan dans les 24 heures qui suivent, pour que nous puissions engager une réclamation auprès du transporteur. Un rapport détaillé sur l'étendue des dommages causés à la machine doit être rempli dans un délai de trois jours, à compter de la date de livraison indiquée dans les documents d'expédition. Omcan n'a aucun droit de recours pour les produits endommagés qui ont été expédiés ou cueilli par un tiers transporteur.

# ***General Information***

---

Avant d'utiliser n'importe quel équipement, toujours lire et vous familiariser avec toutes les opérations et les consignes de sécurité.

Omcan voudrais vous remercier d'avoir choisi cette machine. Il est primordial de conserver ces instructions pour une référence ultérieure. Également conservez la boîte originale et l'emballage pour l'expédition de l'équipement si l'entretien ou le retour de la machine est nécessaire.

---

Omcan Empresa De Fabricacion Y Distribucion Inc. Y Maquinaria De Alimentos De America, Inc. dba Omcan y Omcan Inc. no son responsables de ningun daño o perjuicio causado por cualquier persona inadecuada o el uso descuidado de este equipo. El producto solo podra ser operado por una persona mayor de 18 años, en su sano juicio y no bajo alguna influencia de droga o alcohol, y que este ha sido entrenado en el correcto funcionamiento de esta máquina, y ésta usando ropa apropiada y autorizada. Cualquier modificación a la máquina anula la garantía y puede causar daños a las personas usando la máquina mientras esta en el funcionamiento.

## **REVISE EL PAQUETE A SU LLEGADA**

Tras la recepcion de un envio Omcan favor inspeccionar daños externos. Si no hay daños evidentes en el empaque exterior, Habra el carton para asegurarse que todos los articulos solicitados estén dentro de la caja y no encuentre daños ocultos en la máquina. Si el paquete ha sufrido un manejo de poco cuidado, golpes o daños (visible o oculto) por favor anote en la factura antes de aceptar la entrega y contacte Omcan dentro de las 24 horas, de modo que podamos iniciar una reclamación con la compañía. Un informe detallado sobre los daños causados a la máquina debe ser llenado en el plazo de tres días, desde la fecha de entrega que se muestra en los documentos de envío. Omcan no tiene ningun recurso por productos dañados que se enviaron a recoger por terceros.

Antes de utilizar cualquier equipo, siempre lea y familiarizarse con todas las instrucciones de funcionamiento y seguridad.

Omcan le gustaría darle las gracias por la compra de esta máquina. Es de la mayor importancia para salvar estas instrucciones para futuras consultas. Además, guarda la caja original y el embalaje para el envío del equipo si servicio técnico o devolución de la máquina que se requiere.

# ***Safety and Warranty***

---

**CAUTION: REMOVE THE POLYFORM FROM INNER OF THE OVEN BEFORE USING!**

Please take notice that the unit will still be too hot to handle immediately after use.

If the power cord is damaged, it must be replaced by qualified technician.

**1 YEAR PARTS AND LABOUR WARRANTY**



# Safety and Warranty

Within the warranty period, contact Omcan Inc. at 1-800-465-0234 to schedule an Omcan authorized service technician to repair the equipment locally.

Unauthorized maintenance will void the warranty. Warranty covers electrical and part failures, not improper use.

Please see [www.omcan.com/warranty.html](http://www.omcan.com/warranty.html) for complete info.

## WARNING:

The packaging components are classified as normal solid urban waste and can therefore be disposed of without difficulty.

In any case, for suitable recycling, we suggest disposing of the products separately (differentiated waste) according to the current norms.

**DO NOT DISCARD ANY PACKAGING MATERIALS IN THE ENVIRONMENT!**

# Technical Specifications

Model	PE-CN-1800-S	PE-CN-3200-D
Temperature	176.7 - 398.9°C / 350 - 750°F	
Electrical	120V / 60 Hz	240V / 60 Hz
Power	1800 W	3200 W
Chamber Dimensions	18.1" x 18.1" x 3.9" 460 x 460 x 100mm	18.1" x 18.1" x 3.9" (x 2) 460 x 460 x 100mm (x 2)
External Dimensions	27.2" x 27.4" x 15.25" 690 x 695 x 387mm	27.2" x 27.4" x 25.75" 690 x 695 x 654mm
Weight	88 lbs. / 40 kgs.	160 lbs. / 73 kgs.
Item Number	24210	39580

# Installation

Take out the Pizza Oven from the packaging and locate the unit on a firm level surface.

When this appliance is to be positioned in close proximity to a wall, partitions, kitchen furniture, decorative finished, etc., it is recommended that they be made of non-combustible material, if not, they shall be clad with

# Installation

---

a suitable non-combustible heat-insulating material, and that the closest attention be paid to fire prevention regulations.

Once the Pizza Oven has been placed in its proper location. Take out the polyfoam which is inside the unit, the Pizza Oven is ready to operate now.

**Before first use, please warm up the unit for 10 minutes until all smoke and/or odor has dissipated.**

# Operation

---

Put the food into the oven, turn the thermostat dial to the required setting and cook. General cooking temperature is between 220°C and 280°C. This may vary for particular kind of foods if needs. When not cooking, the thermostat is turned off.

# Maintenance

---

The Pizza Oven should be cleaned using warm, soapy water after each day's operation.

Do not immerse completely in water to clean.

The appliance is not to be cleaned with a water jet.

## HELP

If the Pizza Oven does not work, please check the following:

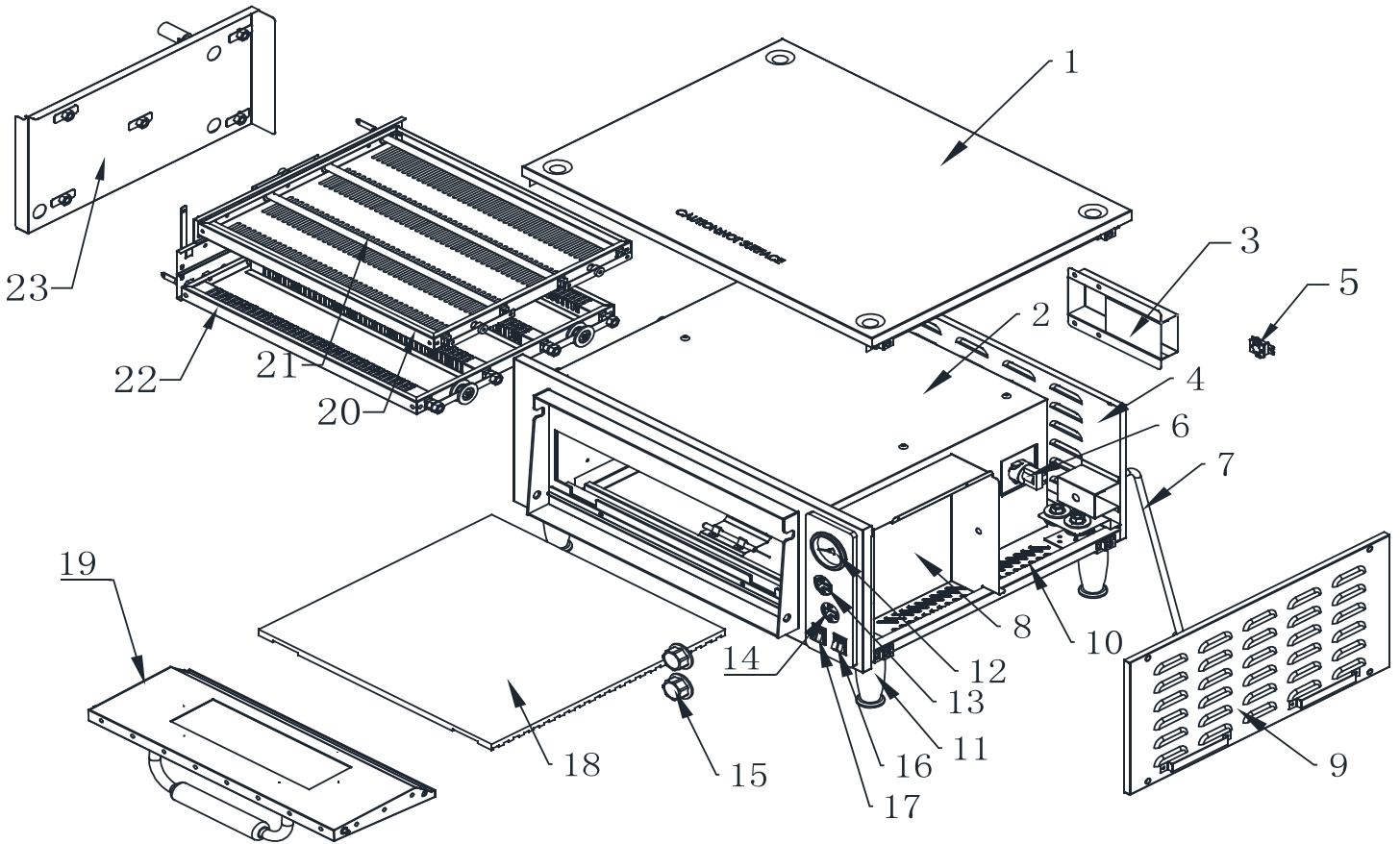
1. The power supply is correct and the thermostat is turned on.
2. The positions of switch and thermostats are correct.

## REFERENCE

Item Number	Model Number	Description	Manufacturer Model Number
24210	PE-CN-1800-S	Single Quartz Pizza Oven 18" 120V / 60Hz 1800W	PA10804S
39580	PE-CN-3200-D	Double Quartz Pizza Oven 18" 240V / 60Hz 3200W	PA10804D

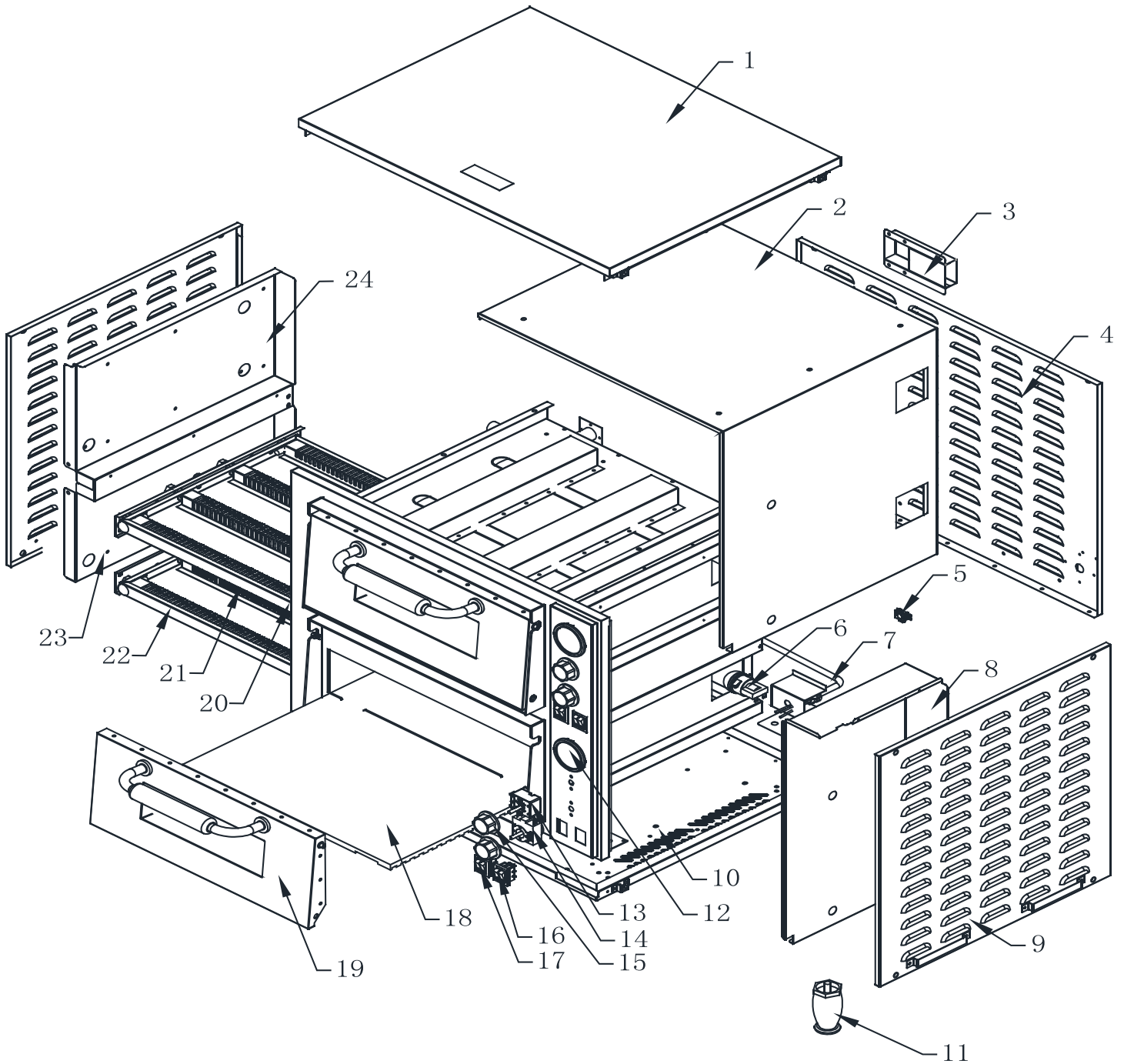
# Parts Breakdown

Model PE-CN-1800-S 24210



# Parts Breakdown

Model PE-CN-3200-D 39580







# Parts Breakdown

## Model PE-CN-1800-S 24210

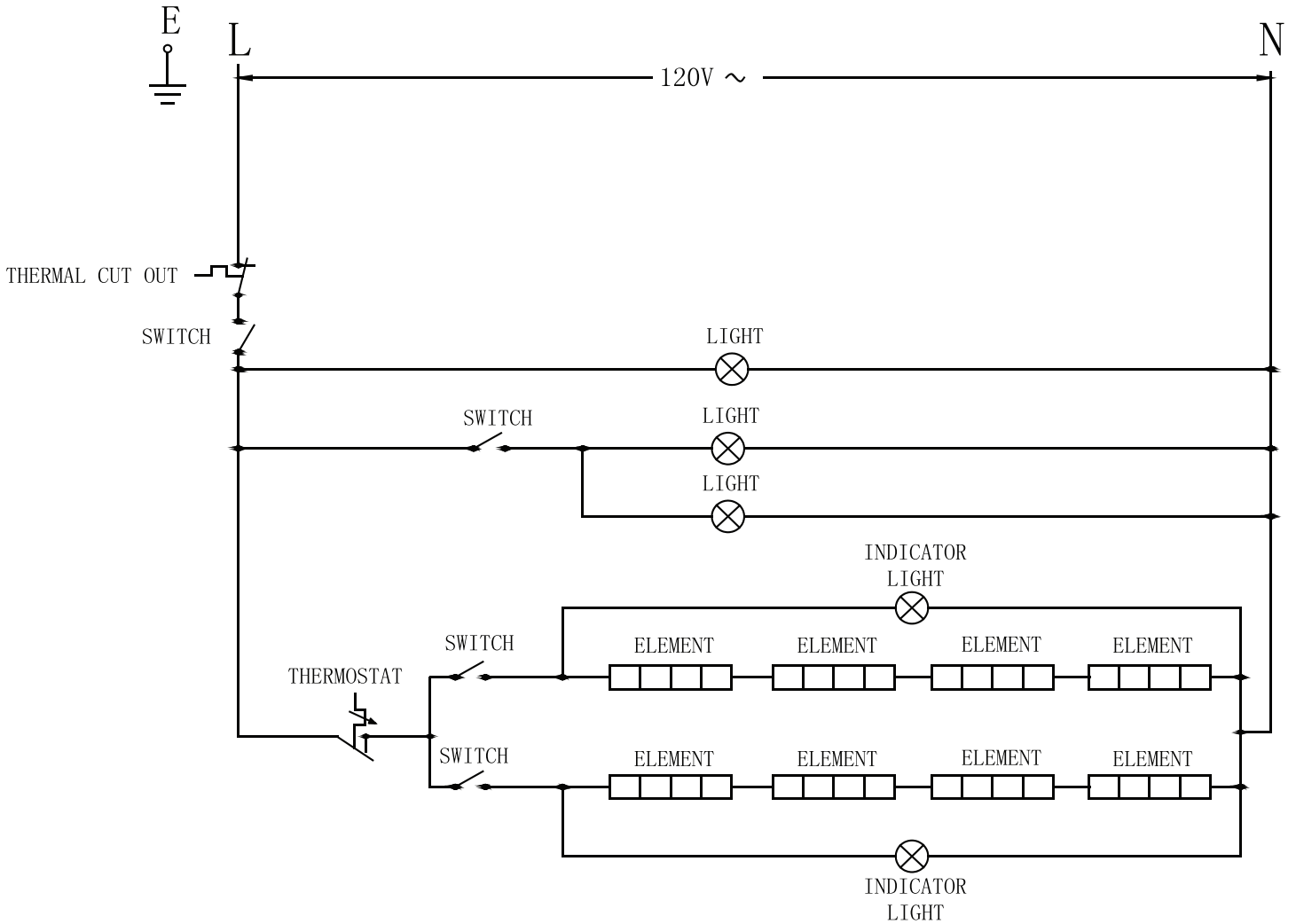
Item No.	Description	Position	Item No.	Description	Position	Item No.	Description	Position
78408	Top Cover for PA10804S	1	78415	Side Plates for PA10804S	9	78423	Switch (Yellow-Green) for PA10804S	17
78409	Inside Spun Blanket Fixed Plate for PA10804S	2	78416	Bottom Cover for PA10804S	10	78424	Brick for PA10804S	18
78410	Chimney for PA10804S	3	78417	Feet for PA10804S	11	78425	Door for PA10804S	19
78411	Back Plate for PA10804S	4	78418	Thermometer for PA10804S	12	78426	Top Protecting Plates for Box for PA10804S	20
78412	Thermal Cut Out for PA10804S	5	78419	Thermostat for PA10804S	13	78427	Element for PA10804S	21
72798	Lamp for PA10804S	6	78420	Timer for PA10804S	14	78428	Bottom Protecting Plates for Box for PA10804S	22
78413	Plug and Lead for PA10804S	7	78421	Dial for PA10804S	15	78429	Inside Plate for PA10804S	23
78414	Insulation Plate for PA10804S	8	78422	Switch (Yellow) for PA10804S	16			

## Model PE-CN-3200-D 39580

Item No.	Description	Position	Item No.	Description	Position	Item No.	Description	Position
78408	Top Cover for PA10804D	1	78415	Side Plates for PA10804D	9	78423	Switch (Yellow-Green) for PA10804D	17
78409	Inside Spun Blanket Fixed Plate for PA10804D	2	78416	Bottom Cover for PA10804D	10	78424	Brick for PA10804D	18
78410	Chimney for PA10804D	3	78417	Feet for PA10804D	11	78430	Door for PA10804D	19
78411	Back Plate for PA10804D	4	78418	Thermometer for PA10804D	12	78426	Top Protecting Plates for Box for PA10804D	20
78412	Thermal Cut Out for PA10804D	5	78419	Thermostat for PA10804D	13	78427	Element for PA10804D	21
72798	Lamp for PA10804D	6	78420	Timer for PA10804D	14	78428	Bottom Protecting Plates for Box for PA10804D	22
78413	Plug and Lead for PA10804D	7	78421	Dial for PA10804D	15	78431	Bottom Inside for PA10804D	23
78414	Insulation Plate for PA10804D	8	78422	Switch (Yellow) for PA10804D	16	78429	Top Inside for PA10804D	24

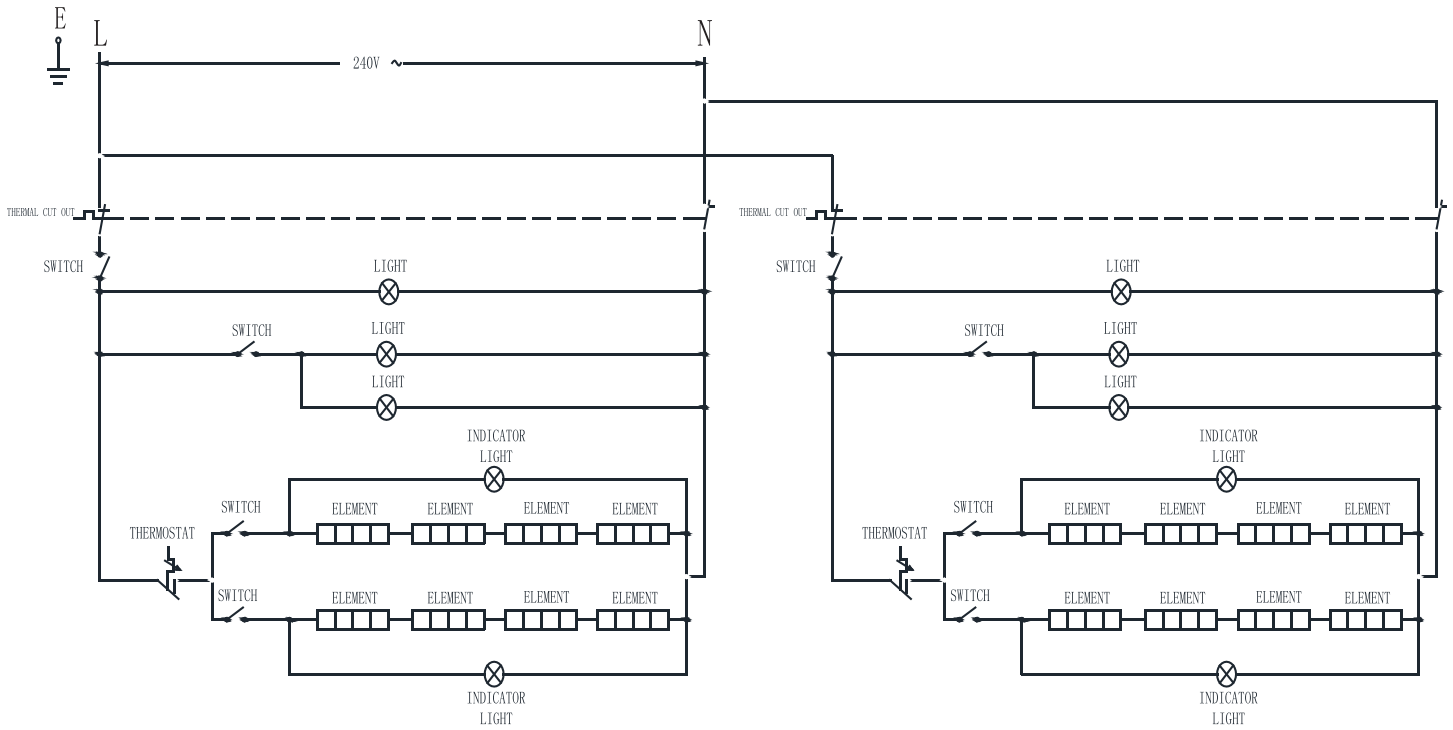
# Electrical Schematics

Model PE-CN-1800-S 24210



# Electrical Schematics

## Model PE-CN-3200-D 39580



# **Notes**

---

---

---

---

---

---

---

---

---

---

---

---

---

---

---

---

---

---

---

---

---

---

---

---

---

---

---

---

---

---

---







# Warranty Registration

Thank you for purchasing an Omcan product. To register your warranty for this product, complete the information below, tear off the card at the perforation and then send to the address specified below. You can also register online by visiting:

Merci d'avoir acheté un produit Omcan. Pour enregistrer votre garantie pour ce produit, complétez les informations ci-dessous, détachez la carte au niveau de la perforation, puis l'envoyer à l'adresse spécifiée ci-dessous. Vous pouvez également vous inscrire en ligne en visitant:

Gracias por comprar un producto Omcan usted. Para registrar su garantía para este producto, complete la información a continuación, cortar la tarjeta en la perforación y luego enviarlo a la dirección indicada a continuación. También puede registrarse en línea en:

**[www.omcan.com/warrantyregistration.html](http://www.omcan.com/warrantyregistration.html)**

**For mailing in Canada**

**Pour postale au Canada**

**Por correo en Canadá**

**For mailing in the US**

**Pour diffusion aux États-Unis**

**Por correo en los EE.UU.**

**OMCAN**

PRODUCT WARRANTY REGISTRATION

3115 Pepper Mill Court,

Mississauga, Ontario

Canada, L5L 4X5

**OMCAN**

PRODUCT WARRANTY REGISTRATION

4450 Witmer Industrial Estates, Unit 4,

Niagara Falls, New York

USA, 14305

**or email to: [service@omcan.com](mailto:service@omcan.com)**



Purchaser's Information

Name: \_\_\_\_\_

Company Name: \_\_\_\_\_

Address: \_\_\_\_\_

Telephone: \_\_\_\_\_

City: \_\_\_\_\_ Province or State: \_\_\_\_\_ Postal or Zip: \_\_\_\_\_

Email Address: \_\_\_\_\_

Country: \_\_\_\_\_

Type of Company:

Restaurant  Bakery  Deli

Butcher  Supermarket  Caterer

Institution (*specify*): \_\_\_\_\_

Other (*specify*): \_\_\_\_\_

Dealer from which Purchased: \_\_\_\_\_

Dealer City: \_\_\_\_\_ Dealer Province or State: \_\_\_\_\_

Invoice: \_\_\_\_\_

Model Name: \_\_\_\_\_ Model Number: \_\_\_\_\_

Serial Number: \_\_\_\_\_

Machine Description: \_\_\_\_\_

Date of Purchase (MM/DD/YYYY): \_\_\_\_\_

Date of Installation (MM/DD/YYYY): \_\_\_\_\_

Would you like to extend the warranty?  Yes  No

**Thank you for choosing Omcan | Merci d'avoir choisi Omcan | Gracias por elegir Omcan**



Since 1951 Omcan has grown to become a leading distributor of equipment and supplies to the North American food service industry. Our success over these many years can be attributed to our commitment to strengthen and develop new and existing relationships with our valued customers and manufacturers. Today with partners in North America, Europe, Asia and South America, we continually work to improve and grow the company. We strive to offer customers exceptional value through our qualified local sales and service representatives who provide convenient access to over 3,500 globally sourced products.

---

Depuis 1951 Omcan a grandi pour devenir un des “leaders” de la distribution des équipements et matériel pour l’industrie des services alimentaires en Amérique du Nord. Notre succès au cours de ces nombreuses années peut être attribué à notre engagement à renforcer et à développer de nouvelles et existantes relations avec nos clients et les fabricants de valeur. Aujourd’hui avec des partenaires en Amérique du Nord, Europe, Asie et Amérique du Sud, nous travaillons continuellement à améliorer et développer l’entreprise. Nous nous efforçons d’offrir à nos clients une valeur exceptionnelle grâce à nos ventes locales qualifiées et des représentants de service qui offrent un accès facile à plus de 3500 produits provenant du monde entier.

---

Desde 1951 Omcan ha crecido hasta convertirse en un líder en la distribución de equipos y suministros de alimentos en América del Norte industria de servicios. Nuestro éxito en estos años se puede atribuir a nuestro compromiso de fortalecer y desarrollar nuevas relaciones existentes con nuestros valiosos clientes y fabricantes. Hoy con socios de América del Norte, Europa, Asia y América del Sur, que trabajan continuamente para mejorar y crecer la empresa. Nos esforzamos por ofrecer a nuestros clientes valor excepcional a través de nuestro local de ventas y representantes de los servicios que proporcionan un fácil acceso a más de 3,500 productos con origen a nivel mundial.

