



INSTALLATION & OPERATION MANUAL GAS CHARBROILERS

MODELS



VACB36

VACB25
VACB36
VACB47
VACB60
VACB72



ACB36

ACB25
ACB36
ACB47
ACB60
ACB72

For additional information on Vulcan or to locate an authorized parts and service provider in your area, visit our website at www.vulcanequipment.com

IMPORTANT FOR YOUR SAFETY

THIS MANUAL HAS BEEN PREPARED FOR PERSONNEL QUALIFIED TO INSTALL GAS EQUIPMENT, WHO SHOULD PERFORM THE INITIAL FIELD START-UP AND ADJUSTMENTS OF THE EQUIPMENT COVERED BY THIS MANUAL.

POST IN A PROMINENT LOCATION THE INSTRUCTIONS TO BE FOLLOWED IN THE EVENT THE SMELL OF GAS IS DETECTED. THIS INFORMATION CAN BE OBTAINED FROM THE LOCAL GAS SUPPLIER.

IMPORTANT

IN THE EVENT A GAS ODOR IS DETECTED, SHUT DOWN UNITS AT MAIN SHUTOFF VALVE AND CONTACT THE LOCAL GAS COMPANY OR GAS SUPPLIER FOR SERVICE.

FOR YOUR SAFETY

DO NOT STORE OR USE GASOLINE OR OTHER FLAMMABLE VAPORS OR LIQUIDS IN THE VICINITY OF THIS OR ANY OTHER APPLIANCE.

WARNING

Improper installation, adjustment, alteration, service or maintenance can cause property damage, injury, or death. Read the installation, operating and maintenance instructions thoroughly before installing or servicing this equipment.

IN THE EVENT OF A POWER FAILURE, DO NOT ATTEMPT TO OPERATE THIS DEVICE.

INSTALLATION, OPERATION AND CARE OF GAS COUNTERTOP CHARBROILERS

GENERAL

Vulcan/Wolf Gas Countertop Charbroilers are designed for commercial use only and feature fast, efficient gas heat. Each burner is controlled by an adjustable gas valve. Cast radiants are located directly above each burner to maintain uniform temperature. Radiants are easily removed for cleaning when cool.

Heavy-duty cast iron top grates are reversible to allow all or part of the cooking grid surface to be level or sloped. A crumb tray is provided to collect fat run-off and debris; it opens to the front for inspection or cleaning.

Model	Number of Burners	Natural Gas BTU/hr Input Rating	LP Gas BTU/hr Input Rating
VACB25 / ACB25	4	68,000	64,000
VACB36 / ACB36	6	102,000	96,000
VACB48 / ACB48	8	136,000	128,000
VACB60 / ACB60	11	187,000	176,000
VACB72 / ACB72	13	221,000	208,000

INSTALLATION

UNPACKING

This charbroiler was inspected before leaving the factory. The carrier assumes full responsibility for the safe delivery upon acceptance of the shipment. Check for possible shipping damage immediately after receipt.

If the charbroiler is found to be damaged, complete the following steps:

1. Carrier must be notified within 5 business days of receipt.
2. Carrier's local terminal must be notified immediately upon discovery (note time, date, and who was spoken to), and follow up and confirm with written or electronic communication.
3. All original packing materials must be kept for inspection purposes.
4. The charbroiler cannot have been moved, installed, or modified.
5. Notify Vulcan Customer Service immediately at 800-814-2028.

Carefully unpack your charbroiler and make sure that no parts are discarded with packaging material. A pressure regulator designed to operate with the broiler has been supplied and must be installed before the charbroiler is placed into service (Refer to GAS PRESSURE REGULATOR INSTALLATION in this manual).

Before installing, verify that the type of gas (natural or propane) and the clearance dimensions agree with the specifications on the rating plate which is located on the lower front corner on the right side.

LOCATION

The installation location must be kept free and clear of combustibles. Do not obstruct the flow of combustion and ventilation air. DO NOT install the charbroiler adjacent to fryers unless following the provisions detailed by local codes and/or the applicable sections of ANSI-Z223.1/NFPA #54 (latest edition) and NFPA #96 (latest edition) in the United States of America or CAN/CSA 149.1 (latest edition) and CAN/CSA149.2 (latest edition) in Canada.

Sufficient air should be allowed to enter the room to compensate for the amount of air removed by any ventilating system and for combustion of the gas burners. Do not obstruct the air flow into and around the appliance. Do not obstruct the flow of flue gases through and above the broiler's top grate. Position the broiler in its final location. Check that there are sufficient clearances to service the broiler and to make the required gas supply connection(s). Provide 24" clearance at the front for cleaning, maintenance, service and proper operation.

This broiler is for use in non-combustible locations only. Installation in combustible locations is prohibited unless following the provisions detailed by local codes and/or the applicable sections of ANSI-Z223.1/NFPA #54 (latest edition) and NFPA #96 (latest edition) in the United States of America or CAN/CSA 149.1 (latest edition) and CAN/CSA149.2 (latest edition) in Canada and approved by the authority having jurisdiction.

Minimum clearances to non-combustible walls are 3" to the rear and 3" to the sides.

INSTALLATION CODES AND STANDARDS

The Charbroiler must be installed in accordance with:

In the United States of America:

1. State and local codes.
2. National Fuel Gas Code, ANSI-Z223.1/NFPA #54 (latest edition). This shall include but not be limited to: NFPA #54 Section 10.3.5.2 for Venting. Copies may be obtained from The American Gas Association Accredited Standards Committee Z223, @ 400 N. Capital St. NW, Washington, DC 20001 or the Secretary Standards Council, NFPA, 1 Batterymarch Park Quincy, MA 02169-7471

NOTE: In the Commonwealth of Massachusetts

All gas appliances vented through a ventilation hood or exhaust system equipped with a damper or with a power means of exhaust shall comply with 248 CMR.

3. NFPA Standard # 96 *Vapor Removal from Cooking Equipment*, latest edition, available from the National Fire Protection Association, Batterymarch Park, Quincy, MA 02269.

In Canada:

1. Local codes.
2. CAN/CSA-B149.1 Natural Gas Installation (latest edition)
3. CAN/CSA-B149.2 Propane Installation Code (latest edition), available from the Canadian Gas Association, 178 Rexdale Blvd., Etobicoke, Ontario, Canada M9W 1R3

KEY COMPONENTS

⚠ WARNING The charbroiler and its parts are hot. Use care when operating, cleaning or servicing the charbroiler.

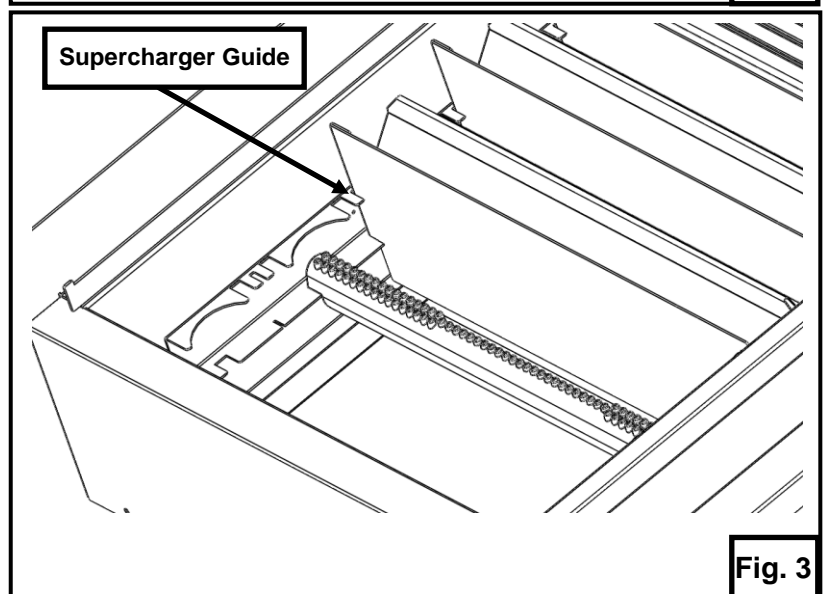
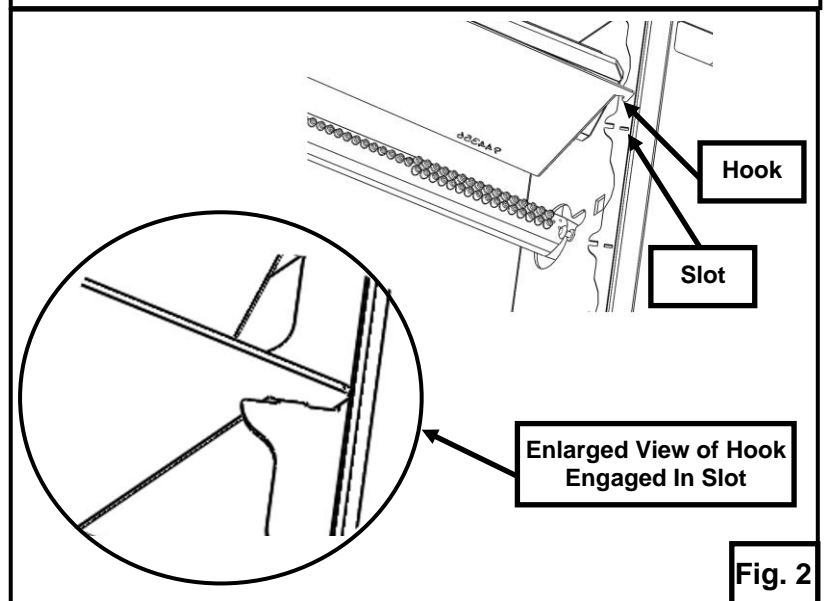
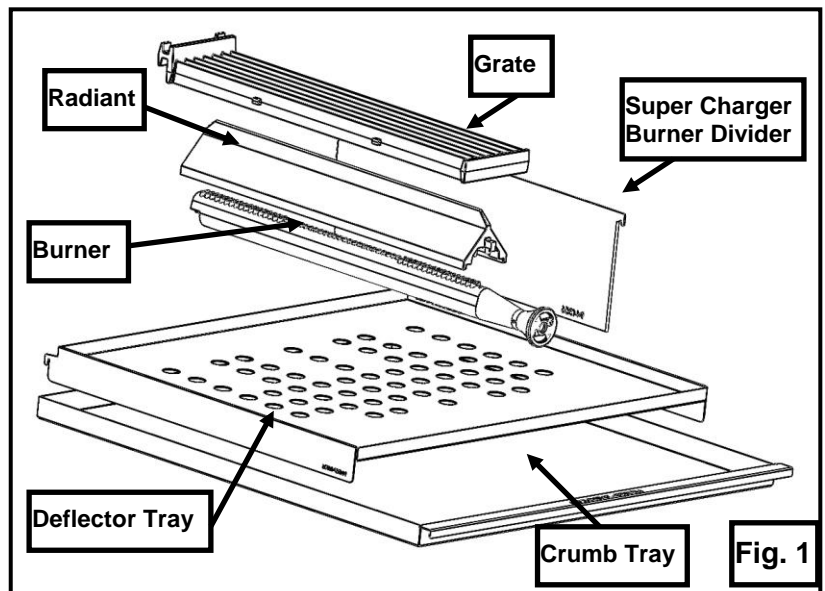
Grate – The grates can be utilized flat or sloped for operational flexibility.

Deflector Tray – The deflector tray is the removable pan with holes in it. The deflector tray deflects heat back toward the cooking surface while allowing debris to pass through the holes and into the crumb tray below. The deflector tray should always be in place above the crumb tray when operating.

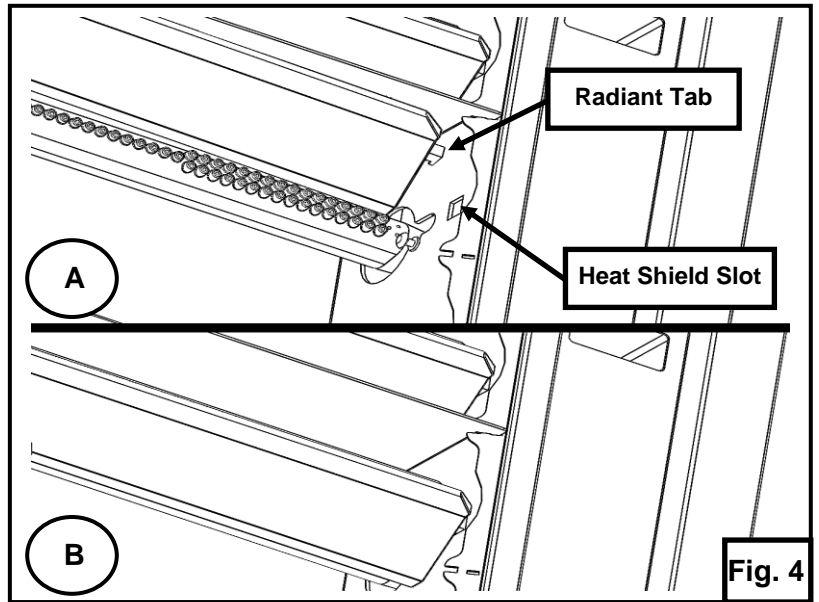
NOTICE Never cover the deflector tray holes with foil or allow the deflector tray holes to become blocked with debris. This will cause a buildup of heat that can potentially damage and warp components of the charbroiler.

Crumb tray – The crumb tray is the removable pan without holes in it. The crumb tray catches any debris that passes thru the deflector tray and should always be installed beneath the deflector tray. (Fig. 1).

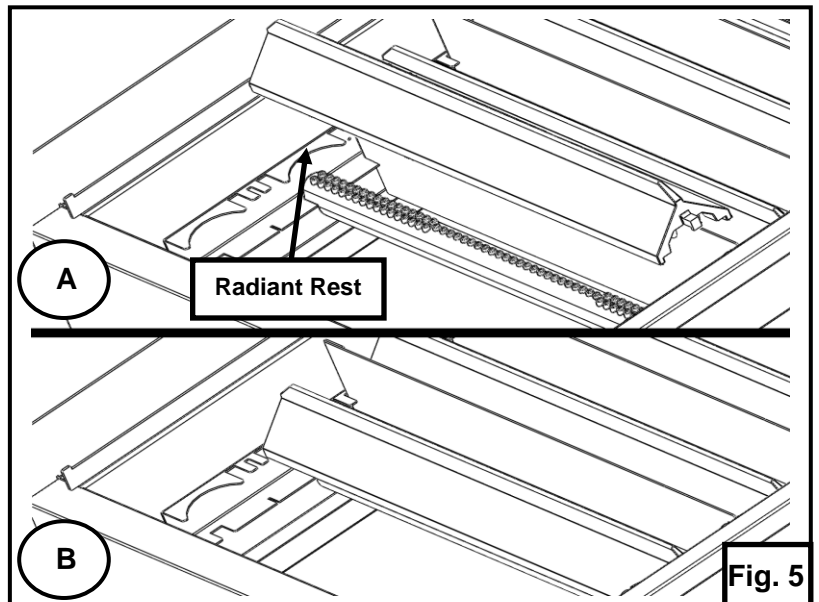
Supercharger Burner Divider - These act as dividers between cooking zones to offer flexibility in cooking and help direct heat upwards to provide for a even heating pattern. You may remove some or all of the supercharger burner dividers at your discretion if you find your production method works better without them. The super charger burner dividers are installed by inserting the hooks thru corresponding slots at the front (Fig. 2) and the back rests in the super charger guide to the rear. (Fig. 3).



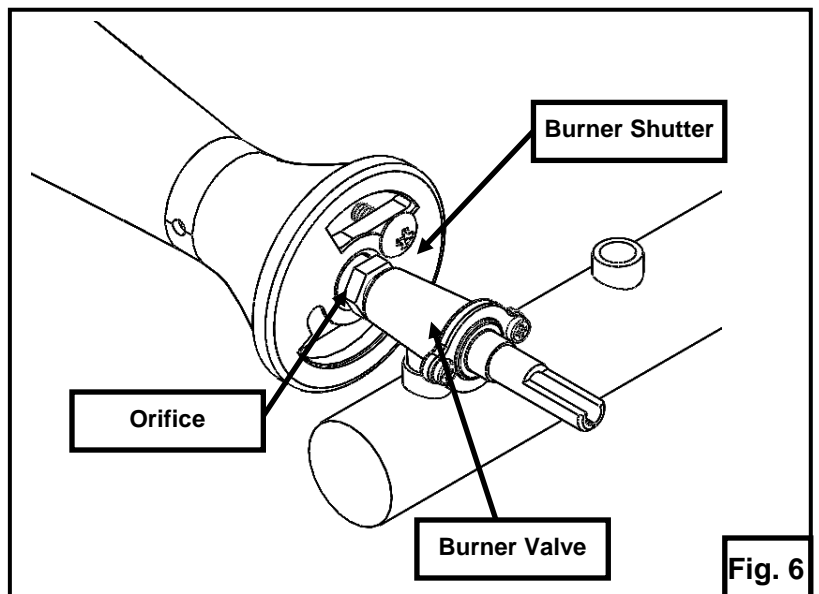
Radiant – The charbroiler must never be operated without the radiants in place. They protect the burner from food drippings and heat up to provide an even heating pattern. The radiants are installed by inserting the tab thru the corresponding slot in the heat shield to the front (Fig. 4-A) and the back of the radiants set on the radiant rest to the rear (Fig. 5-A).



Burner – The burner shutter should engage the orifice to the front (Fig. 6) and rest in the burner slot to the rear of the unit.



Proper burner shutter adjustment is important for optimal charbroiler performance. The burner shutters should only be adjusted with all radiants in place. The shutter will typically be about 50% open for natural gas and 80 to 100% open for LP. A properly adjusted burner should exhibit solid blue flames that are touching the burner. All traces of yellow should be adjusted out of the burner flame for natural gas and only a slight yellow tipping should be observed on LP gas. Large, yellow tipped flames typically indicate not enough air and the burner shutters should be opened slightly. Floating flames (not touching the burner) typically indicate too much air and the shutter should be closed slightly.



LEVELING


It is important that the charbroiler is level front to back and left to right. Areas of uneven heat distribution will occur on an unlevel unit. The charbroiler is equipped with adjustable legs. Turn the feet at the bottom of the legs to adjust to level. The unit should be rechecked for level anytime it has been moved.

VENTILATION HOOD

The broiler must be installed under a suitable ventilation hood. For safe operation and proper ventilation, keep the space between the charbroiler and vent hood free from any obstructions.

GAS CONNECTION

The data plate on the lower right side of the charbroiler indicates the type of gas your unit is equipped to burn. DO NOT connect to any other gas type.

 WARNING All gas supply connections and any joint compound must be resistant to the action of propane gases.

Purge the supply line to clean out any dust, dirt, or any foreign matter before connecting the line to the unit.

Codes require that a gas shut-off valve be installed in the gas line ahead of the charbroiler. The gas supply line must be at least the equivalent of $\frac{3}{4}$ " iron pipe.

60" and 72" models have a gas inlet at each end of the unit. The unit will arrive from the factory with a metal cap on one end and a plastic dust cover on the other. You may move the metal cap to the other end and use which ever connection point is most convenient to the available supply outlet. The plastic dust cover must be replaced with a metal pipe cap if you do not use that location as the gas inlet. Do not connect both of the available charbroiler gas inlets to the gas supply.

A pressure regulator is supplied and must be installed outside of the broiler when making the gas supply connection. Standard orifices are set for 5"WC (Water Column) for Natural Gas — 10"WC (Water Column) for Propane. Use the $\frac{1}{8}$ " pipe tap on the burner manifold for checking pressure. Make sure the gas piping is clean and free of obstructions, dirt, and piping compound.

An adequate gas supply is necessary. Undersized or low pressure lines will restrict the volume of gas required for satisfactory performance. A minimum supply pressure of 7" W.C. for natural gas and 11" W.C. for propane gas is recommended. With all units operating simultaneously, the manifold pressure on all units should not show any appreciable drop.

When testing the gas supply piping system, if test pressures exceed $\frac{1}{2}$ psig (3.45 kPa), the charbroiler and its individual shutoff valve must be disconnected from the gas supply piping system. When test pressures are $\frac{1}{2}$ psig (3.45 kPa) or less, the charbroiler must

be isolated from the gas supply piping system by closing its individual manual shut-off valve during any pressure testing of the system.

⚠ WARNING Prior to lighting, check all joints in the gas supply line for leaks. Use soap and water solution. Do not use an open flame.

GAS PRESSURE REGULATOR INSTALLATION

Gas regulator pressure is preset at 5" Water Column (W.C.) for natural gas, and 10" W.C. for propane gas. Minor adjustments may be required based on site specific gas pressure.

Install the regulator as close to the broiler on the gas supply line as possible. Make sure that the arrow on the underside of the regulator is oriented in the direction of gas flow to the broiler (Fig. 7) and the regulator is positioned with the vent plug and adjustment screw upright (Fig. 8).

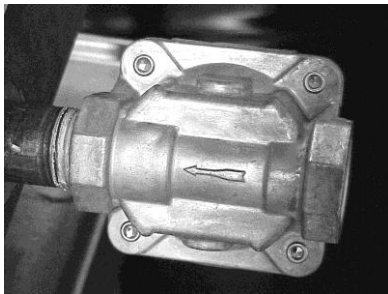


Fig. 7



Fig. 8

The supply pressure (upstream of the regulator) should be 7-9" W.C. for natural gas and 11-12" W.C. for propane gas. At no time should the charbroiler be connected to supply pressure greater than ½ psig (3.45 kPa) or 14" W.C.

CASTER EQUIPPED CHARBROILERS

Charbroilers mounted on stands with casters must use a flexible connector (not supplied) that complies with the Standard for Connectors for Movable Gas Appliances, ANSI Z21.69 • CSA 6.16 and a quick-disconnect device that complies with the Standard for Quick-Disconnect Devices for use With Gas Fuel, ANSI-Z21.41 • CSA 6.9. In addition, adequate means must be provided to limit movement of the broiler without depending on the connector and the quick-disconnect device or its associated piping to limit broiler movement. Attach the restraining device at the rear of the charbroiler. If disconnection of the restraint is necessary, turn off the gas supply before disconnection. Reconnect the restraint prior to turning the gas supply on and return the charbroiler to its installation position.

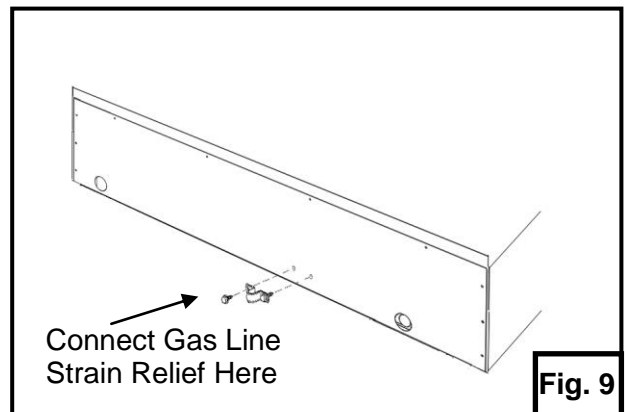


Fig. 9

OPERATION

⚠ WARNING The charbroiler and its parts are hot. Use care when operating, cleaning or servicing the charbroiler.

Pilot Control Valves – The pilot control valves are located between the burner control knobs and accessed thru slots in the front panel (Fig. 10). There is one pilot and corresponding adjustment screw for every burner.

Using a flathead screwdriver, turn the slotted, hex-head pilot adjustment screw clockwise to decrease the flame and counter clockwise to increase the flame. Standing pilots should be adjusted to provide a slight yellow tip on the flame.

Burner Control Valves – There is one valve for each burner. To initially light the burners, the knobs should be turned to the “MAX” setting then adjusted to the desire setting as needed.

The burners will be off when the control knob is turned all the way to the right and pointing to “OFF”. The burners will be at maximum setting when turned all the way to the left and pointing to “MAX”. A medium burner setting can be achieved by adjusting the knob approximately half way between the “OFF” and “MAX” marks. See Fig. 11.

The charbroiler is a free vented appliance. All products of combustion and the heat generated by the burners passes through the grates. When food products are placed on the grates, this blocks the venting and causes a temperature build-up.

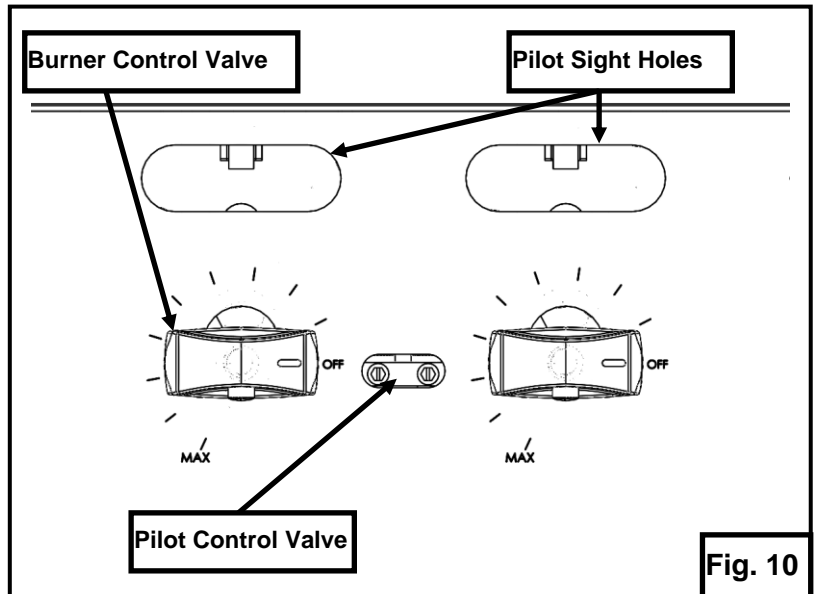


Fig. 10

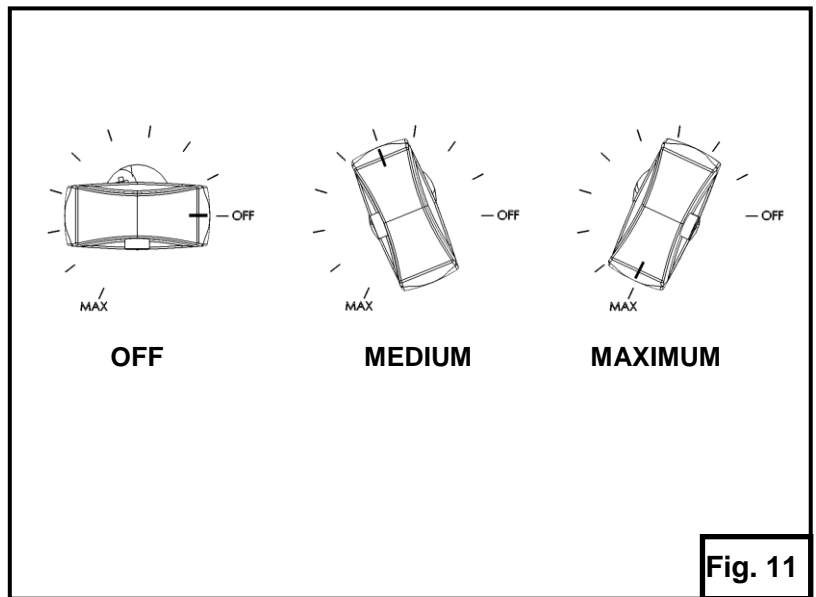


Fig. 11

TO COMPLETELY SHUTDOWN THE BURNERS AND PILOT LIGHTS

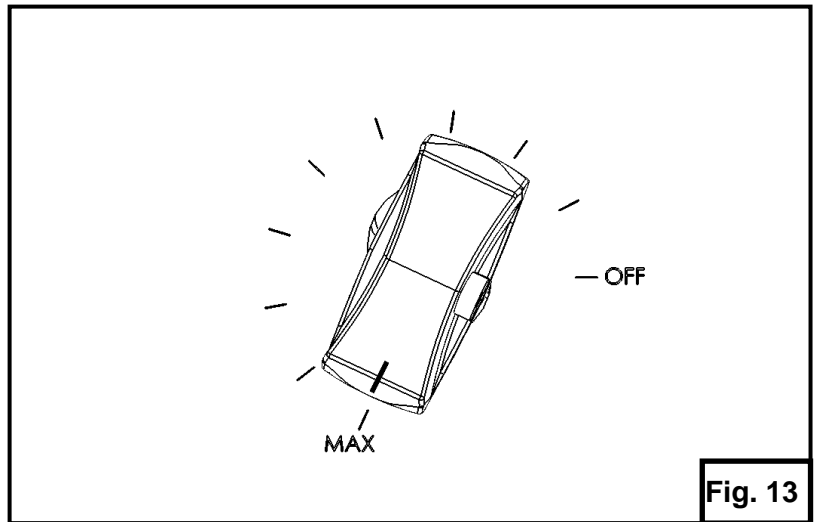
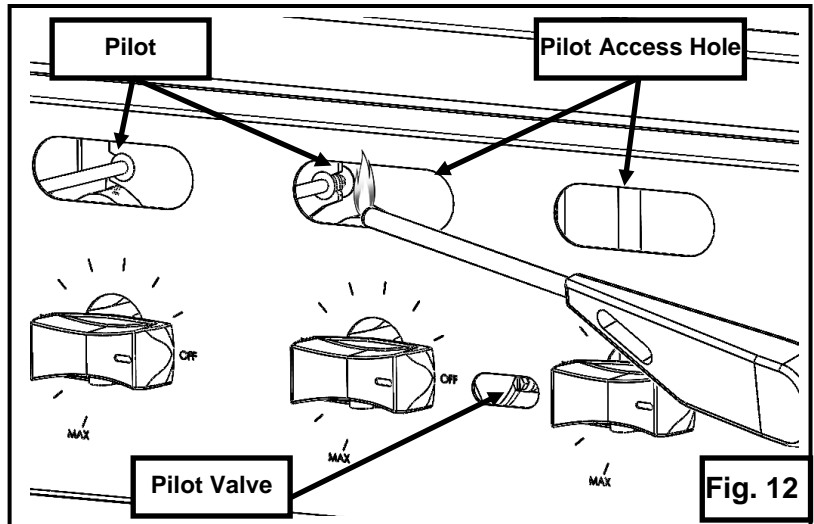
For complete shutdown: Turn the main gas supply valve OFF. Make sure all individual burner valves are OFF.

PREHEATING THE CHARBROILER

Allow the charbroiler to preheat for 30 minutes. Rub grates with cooking oil before using.

LIGHTING THE GAS PILOT

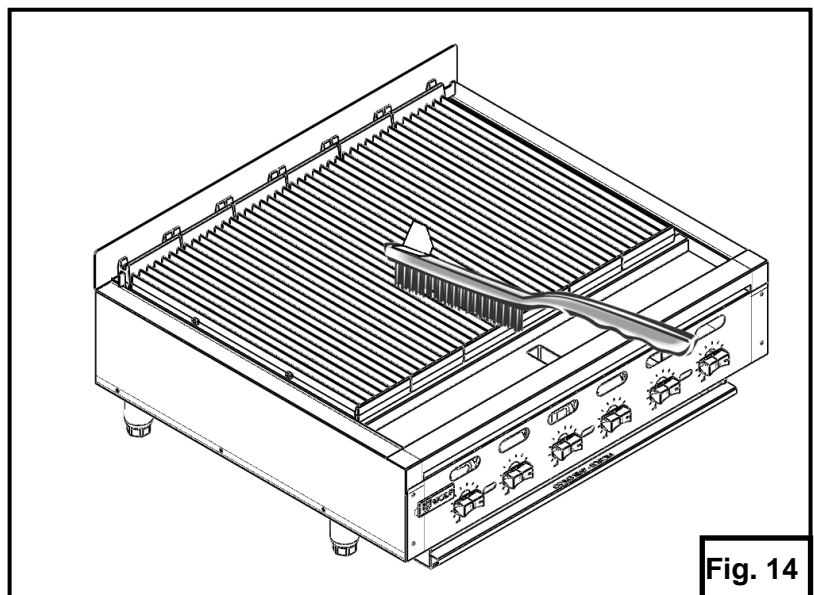
1. Turn the main gas shut-off valve and the individual burner gas valves OFF. Wait 5 minutes.
2. Turn the main gas shut-off valve ON.
3. Light each pilot using an outside ignition source. Pass the ignition source through the pilot access hole in the front panel and ignite the pilot (Fig. 12). The end of the ignition source will need to be at least 7" long so it can extend past the front panel to reach the pilot inside.
4. While viewing through the pilot access hole, adjust the corresponding pilot valve screw until the pilot has a slight yellow tip
5. Repeat steps 3-4 until all pilots are lit.
6. To light the burners, turn the individual burners valves ON (MAX setting) after all pilots are lit. (Fig. 13). If the burners fail to light, turn all burner valves and the main gas shut-off valve to the OFF position and contact an authorized service agency.



CLEANING

⚠ WARNING The charbroiler and its parts are hot. Use care when operating, cleaning or servicing the charbroiler.

Scrape top grates during broiling with a wire brush to keep the grates clean. Do not allow debris to accumulate on the grates. (Fig. 14)



Top grates may be immersed in strong commercial cleaning compound overnight. In the morning, rinse with hot water to remove any residues of cleaning compound. Thoroughly dry and apply cooking oil to prevent rusting.

Stainless steel surfaces may be cleaned using damp cloth with mild detergent and water solution.

Daily, when cool, remove top grates and radiants to clean places where fat, grease, or food can accumulate. (Fig. 15)

Deflector trays and crumb trays should be emptied and cleaned regularly when cool. Ensure that the rear hooks of the deflector tray are over the back edge of the crumb tray as shown in Fig. 16 when reassembled.

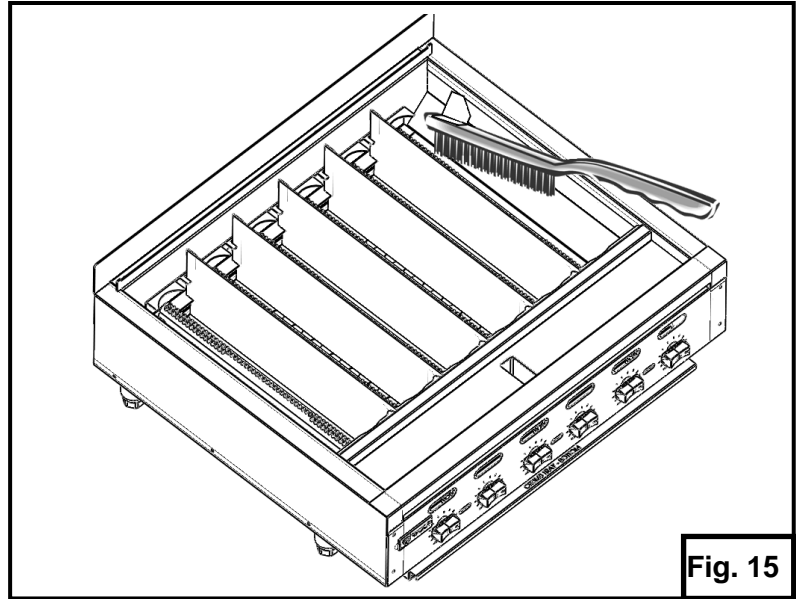


Fig. 15

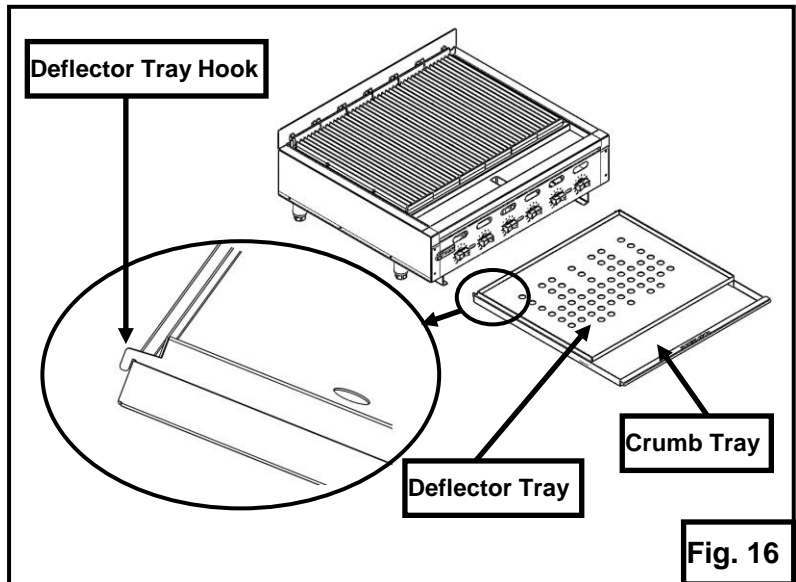


Fig. 16

NOTICE Never cover the surface of the charcoal grill with pans or other objects in attempt to “burn off” or clean debris from unit. This will cause a buildup of heat that can potentially damage and warp components of the charcoal grill.

NOTICE Never cover the deflector tray holes with foil or allow the deflector tray holes to become blocked with debris. This will cause a buildup of heat that can potentially damage and warp components of the charcoal grill.

MAINTENANCE

⚠ WARNING The charbroiler and its parts are hot. Use care when operating, cleaning or servicing the charbroiler.

VENT SYSTEM

At least twice a year the exhaust hood (venting system) must be examined and cleaned.

LUBRICATION

All valves, at the first sign of sticking, should be lubricated by a trained technician using high temperature grease.

SERVICE

Contact your local Service Agency for any repairs or adjustments needed on this equipment. For a complete listing of service and parts depots refer to www.vulcanequipment.com. When calling for service, the following information should be available from the appliance identification plate: Model Number and Serial Number.

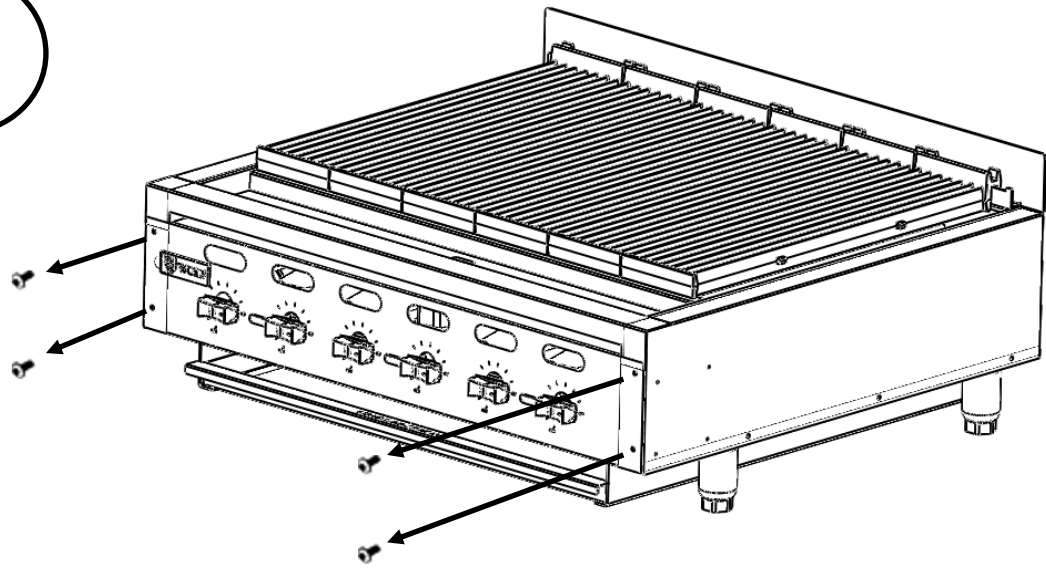
TROUBLE SHOOTING

Uneven heating, sides burning	A. Burner valves improperly adjusted B. Fluctuating gas pressure C. Improperly adjusted burner
Too much top heat	A. Burner valves adjusted too high B. Faulty ventilation C. Overrated gas pressure D. Improperly adjusted burner
Uneven heat side to side	A. Burner valves improperly adjusted B. Appliance is not level side to side C. Improperly adjusted burner D. Deflector tray and/or crumb tray improperly maintained or not installed correctly.
Uneven heat front to back	A. Appliance is not level front to back B. Faulty ventilation C. Improperly adjusted burner D. Deflector tray and/or crumb tray improperly maintained or not installed correctly.
Pilot outage	A. Pilot flame is set too low. Adjust pilot to allow more gas flow. B. Obstruction in pilot orifice C. Low gas pressure
Yellow burner flames	A. Open burner shutters until flames are blue and touching burner
Lifting burner flames	A. Close burner shutters until flames touch burner and are not yellow.
Fluctuating gas pressure	A. Checked for clogged vent on regulator

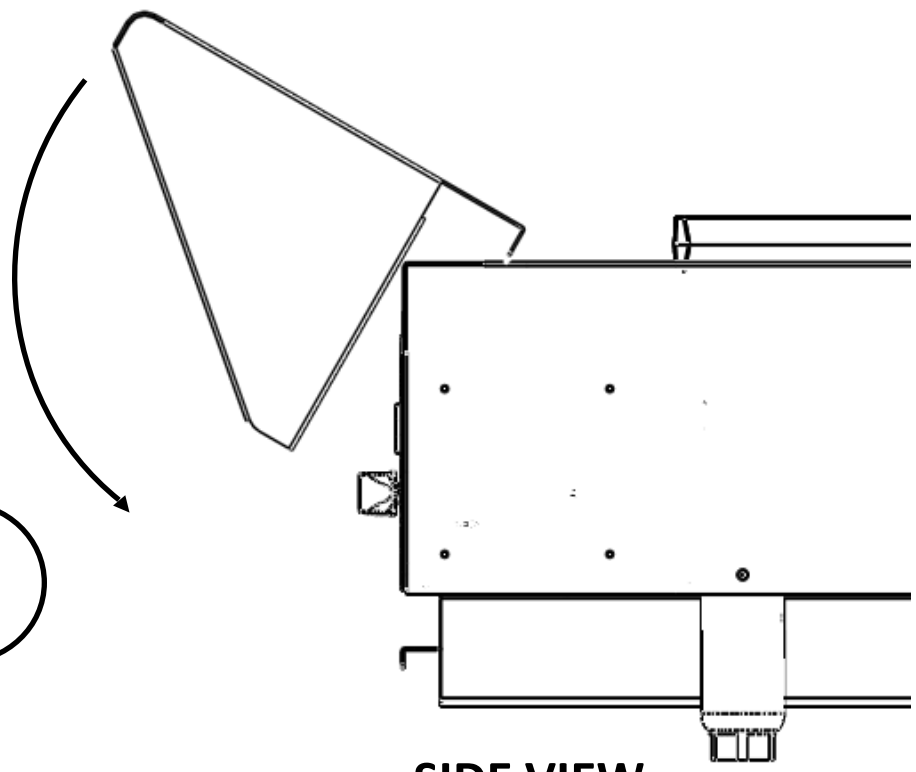
ACCESSORY INSTALLATION

⚠ WARNING The charbroiler and its parts are hot. Use care when operating, cleaning or servicing the charbroiler.

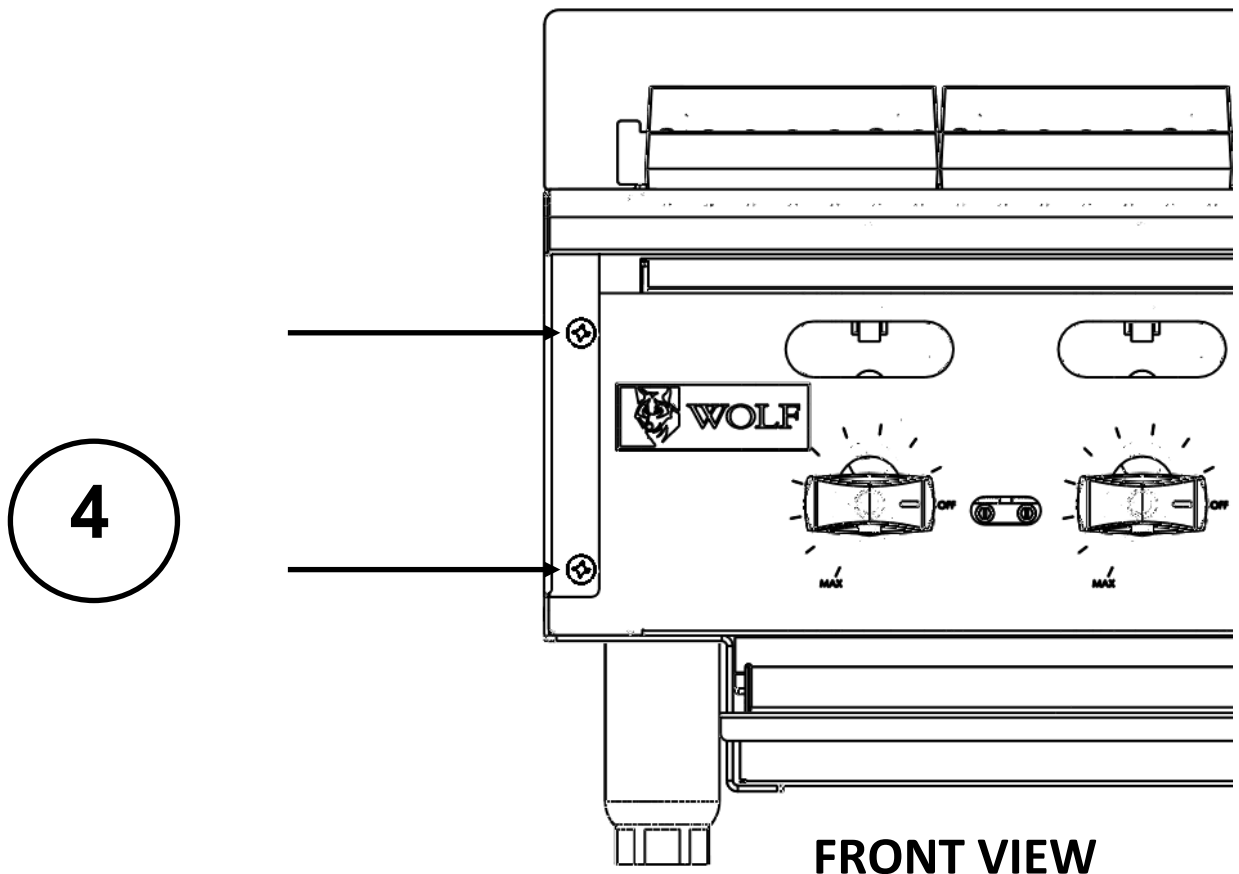
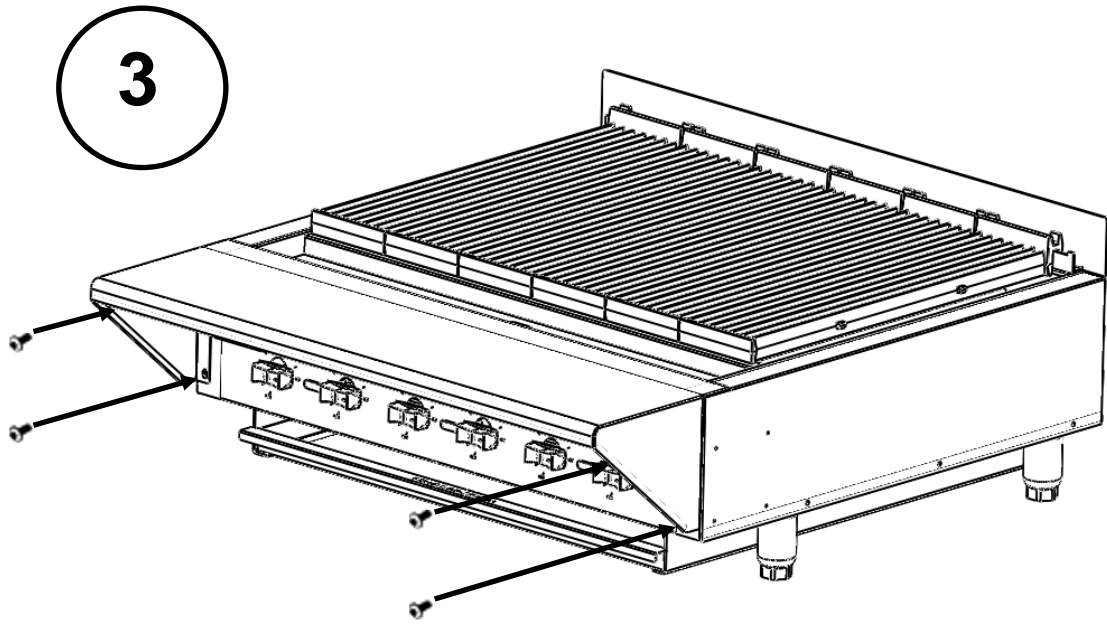
1



2

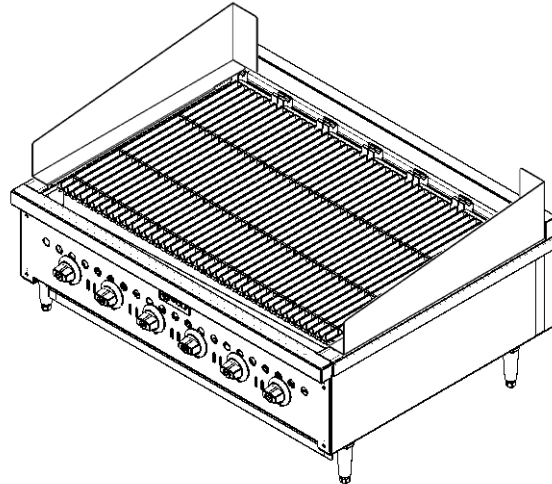


SIDE VIEW

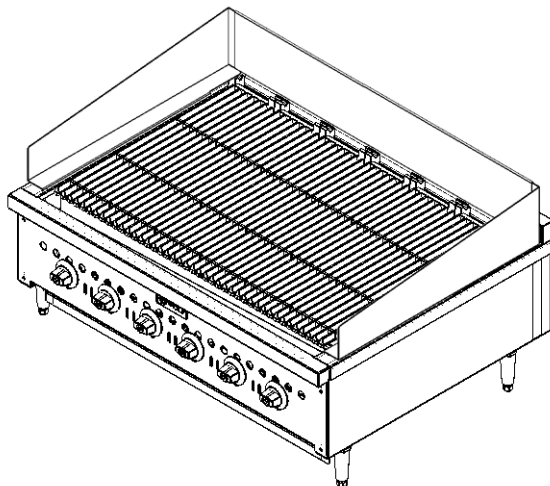


SPLASH ACCESSORY INSTALLATION

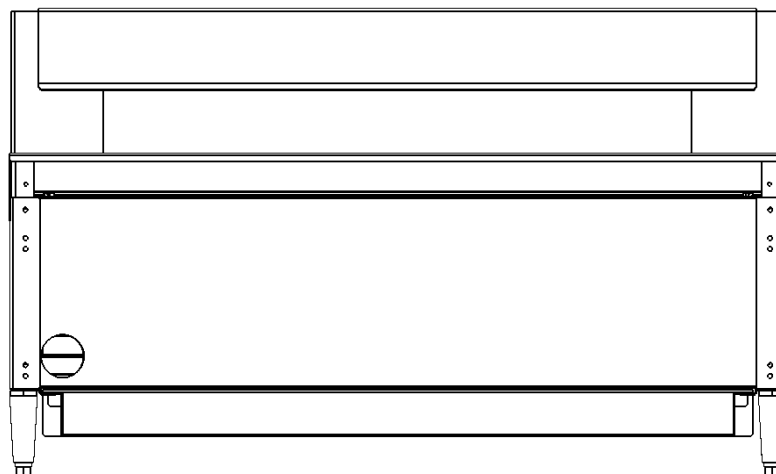
⚠ WARNING The charbroiler and its parts are hot. Use care when operating, cleaning or servicing the charbroiler.



1



2



BACK VIEW

WOOD SMOKER BOX ACCESSORY

⚠ WARNING The charbroiler and its parts are hot. Use care when operating, cleaning or servicing the charbroiler.

WOOD SMOKER BOX INSTALLATION

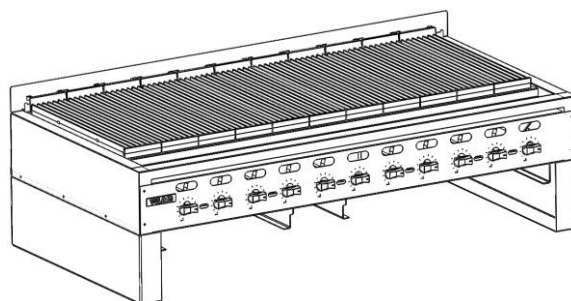
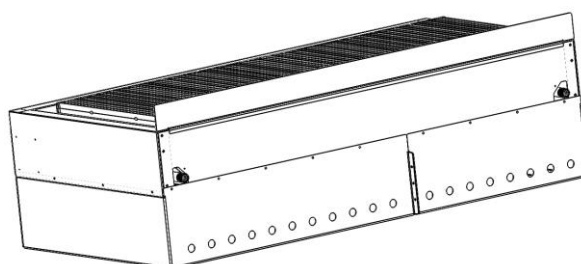
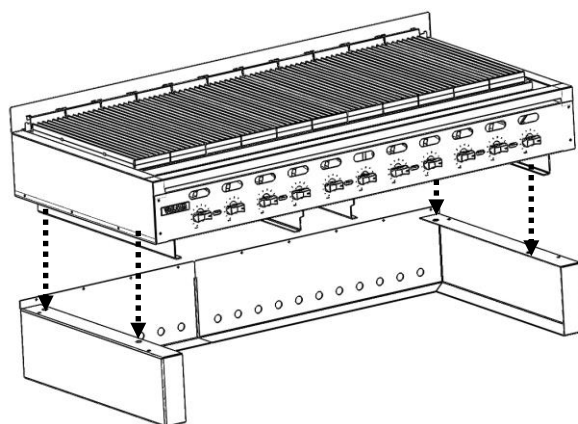
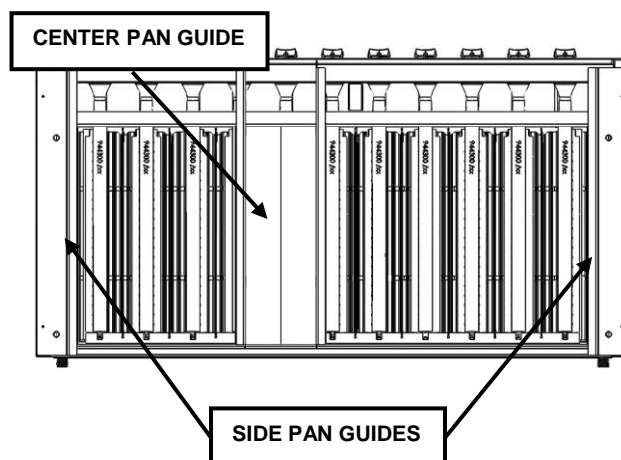
1. Remove all charbroiler radiants and top grates.
2. Remove the legs, crumb tray and heat deflector trays.
3. Set charbroiler in place so that the threaded leg attachment points of the charbroiler align with the holes in the top of the wood smoker box.
4. Secure the charbroiler in place with four $5/8"$ -11 X $3/4"$ L hex head bolts and $5/8"$ washers. The bolts should pass through the top of the wood smoker box and into the charbroiler leg attachment points. If applicable, secure the two frame halves together with three $1/4"$ -20 x $3/4"$ L bolts, washers and lock nuts.
5. Reinstall charbroiler burners, radiants and top grates.

WOOD SMOKER BOX CLEANING

1. Daily, when unit is cool, empty burned debris from the trays.
2. Clean wood trays and crumb trays.

⚠ WARNING Use caution when disposing of burned debris from wood trays. Ensure contents are completely cooled. Discard into approved, flammable proof containers only.

BOTTOM VIEW OF CHARBROILER



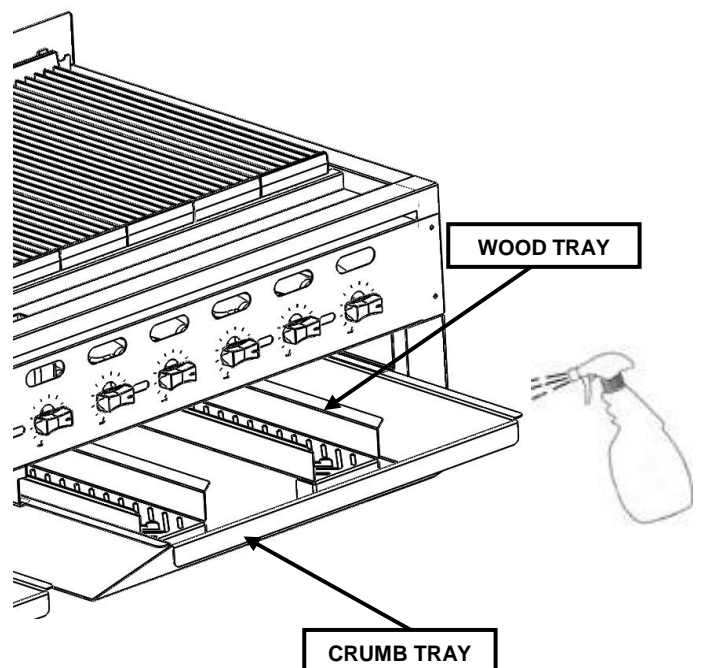
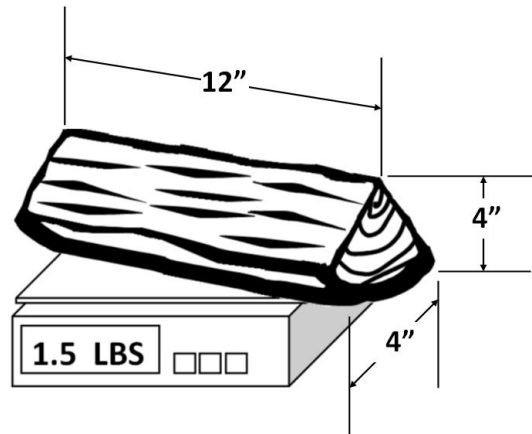
⚠ WARNING The charbroiler and its parts are hot. Use care when operating, cleaning or servicing the charbroiler.

WOOD SMOKER BOX OPERATION

1. The recommended wood size is approximately 12" long by 4" in diameter and 1-1/2 lb in weight each. Wood blocks could be used, not to exceed 4" x 4" cross-section or totaling more than 14" in total length. Hardwoods are recommended. (Soaking wood for ~24 hours is recommended for best results)
2. Place one piece of wood in each wood tray. Center the wood(front to back) on the wood tray.
3. Ensure that the wood trays are pushed all the way in before lighting the charbroiler burners. After adding wood, the charbroiler will need to heat ~30 minutes before smoking begins to occur.
4. Wood will need to be replenished approximately every 3 hrs. when burner valves are set to the full ON position. This may vary with different applications. Wood should only be replaced after it breaks down and falls through the wood tray grates.
5. Keep a trigger pump type water bottle on hand to wet down flare ups on the wood. To get nominal performance, wood should be allowed to burn as embers. If flames are observed, spray down with water bottle just enough to extinguish the visible flames.

NOTICE Do not put wood in tray without tray grates in place.

NOTICE Do not use wood of a larger dimension or replenish more than recommended or necessary. This will cause a buildup of heat that can potentially damage and warp components of the charbroiler.



NOTES

REMARQUES

AVERTISSEMENT Le grill et ses composants sont chauds. Soyez prudent lorsque vous utilisez, nettoyez ou entre-
tenez ce grill à barreaux.

COMMENT SE SERVIR DE LA BOÎTE DE FUMAGE
AU BOIS

1. Il est conseillé d'utiliser des morceaux de bois d'une longueur de 12 po et d'un diamètre de 4 po (305 x 100 mm) ayant un poids de 1 1/2 lb (0,7 kg) chacun. Vous pouvez utiliser des blocs de bois en sections ne dépassant pas 4 x 4 po (100 x 100 mm) et d'une longueur totale de 14 po (356 mm). Des bois durs sont conseillés. (Pour obtenir de meilleurs résultats, il est recommandé de faire tremper le bois pendant 24 heures).

2. Placez un morceau de bois dans chacun des bacs à bois. Centrez-le sur le bac à bois (du devant vers l'arrière).

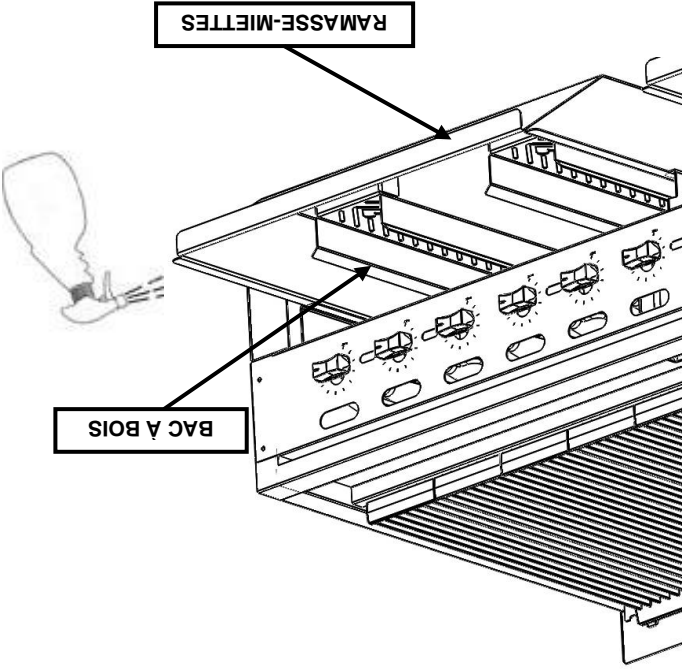
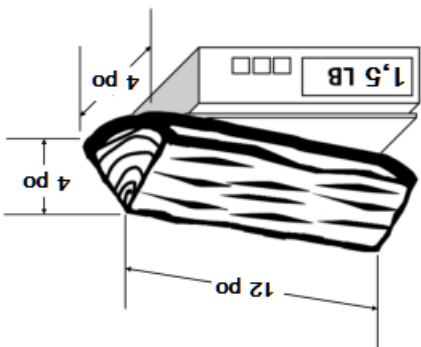
3. Assurez-vous que les bacs à bois sont poussés jusqu'au fond avant d'allumer les brûleurs du grill à barreaux. Après avoir ajouté du bois, le grill devra chauffer pendant à peu près 30 minutes avant le commencement de la fumaison.

4. Si les robinets des brûleurs sont réglés à plein régime, vous devrez remettre du bois environ à toutes les 3 heures. Cela peut varier selon différentes applications. Le bois doit être remplacé seulement après s'être désintégré et qu'il soit passé au travers des grilles des bacs à bois.

5. Gardez près de vous une bouteille d'eau à pistolet pour éteindre les flammes qui s'embrasent à la surface du bois. Pour une performance nominale, vous devriez laisser le bois brûler en braises. Si des flammes s'élèvent, pulvérisez de l'eau avec la bouteille tout juste assez pour n'éteindre que les flammes visibles.

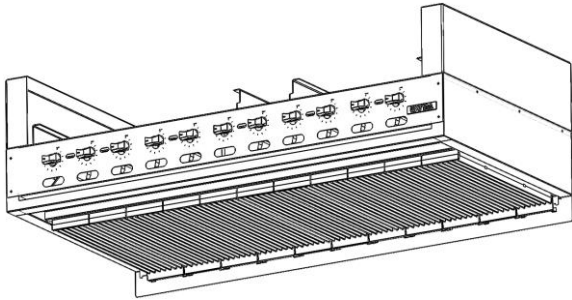
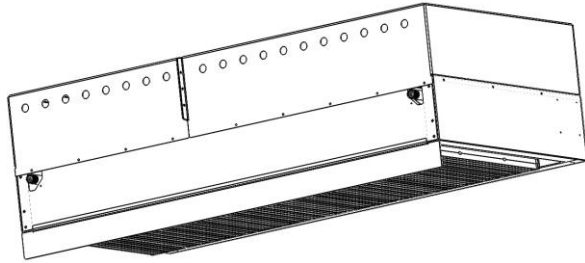
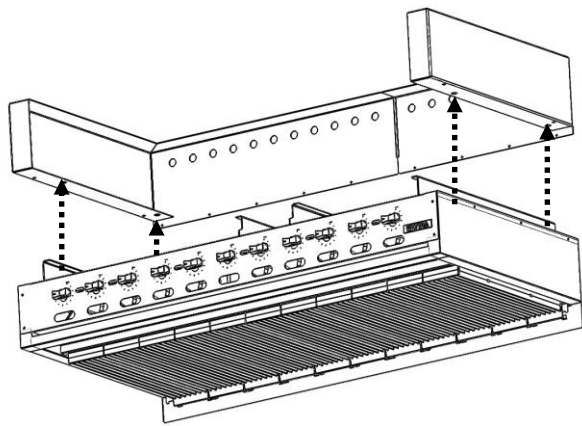
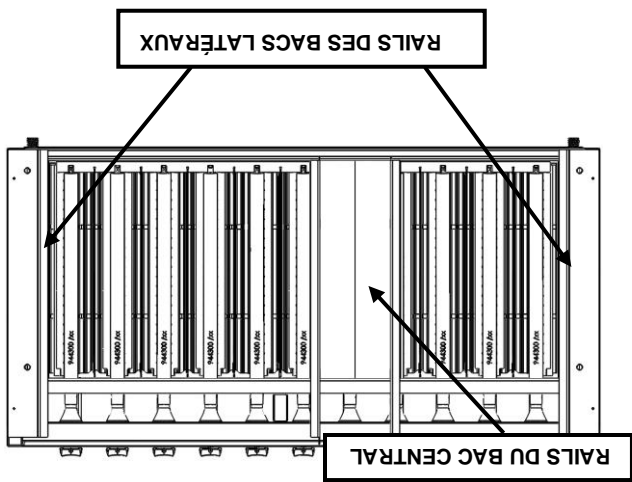
AVIS Ne mettez pas de bois dans le bac sans y avoir d'abord placé les grilles.

AVIS N'utilisez pas de bois d'une taille ou en quantité plus grande que celles recommandées ou nécessaires. Cela provoquera une accumulation de chaleur qui peut potentiellement endommager et faire gauchir les composants du grill barbecue.



BOÎTE ACCESSOIRE POUR FUMAGE AU BOIS

VUE DE DESSOUS DU GRIL À BARREAUX



AVERTISSEMENT Le grill et ses composants sont chauds. Soyez prudent lorsque vous utilisez, nettoyez ou entre-
tenez ce grill à barreaux.

INSTALLATION DE LA BOÎTE DE FUMAGE AU BOIS

1. Retirez tous les radiants et les grilles supérieures.
2. Retirez les pieds, le ramasse-miettes et les plaques de réflexion de la chaleur.

3. Posez le grill sur le dessus de la boîte de fumage de sorte que les points d'ancrage filetés des pieds du grill viennent s'aligner sur les trous supérieurs de la boîte.

4. Fixez le grill en place à l'aide de quatre boulons à tête hexagonale de $\frac{5}{8}$ - $11 \times \frac{3}{4}$ po et de 4 rondelles de $\frac{5}{8}$ po. Les boulons devraient passer à travers le dessus de la boîte de fumage et se visser dans les points d'ancrage des pieds du grill. S'il y a lieu, fixez les deux moitiés du bâti ensemble avec 4 boulons de $\frac{1}{4}$ - $20 \times \frac{3}{4}$ po, 4 rondelles et 4 écrous freinés.

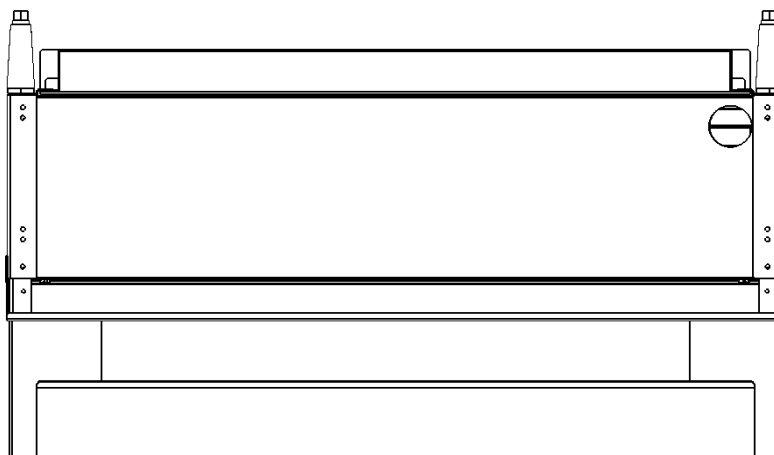
5. Remettez les brûleurs, les radiants et les grilles de surface du grill à leur place.

NETTOYAGE DE LA BOÎTE DE FUMAGE AU BOIS

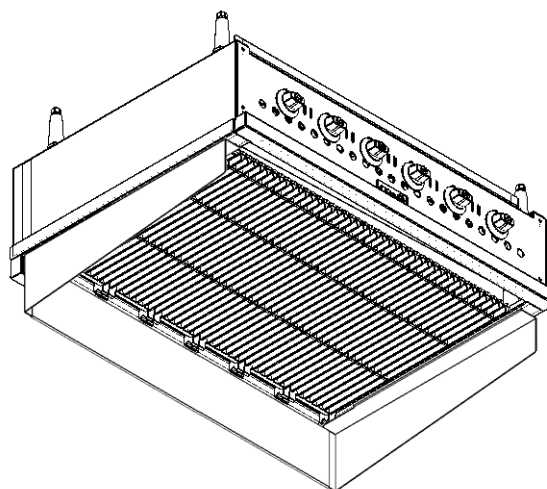
1. À tous les jours, lorsque l'appareil s'est refroidi, vidangez les débris calcinés qui se trouvent dans les bacs.
2. Nettoyez les bacs à bois et les ramasse-miettes.

AVERTISSEMENT Soyez prudent lorsque vous débarrassez des débris calcinés dans les bacs à bois. Assurez-vous qu'ils soient totalement refroidis. Ne les jetez pas dans des conteneurs qui ne sont pas approuvés pour résister aux flammes.

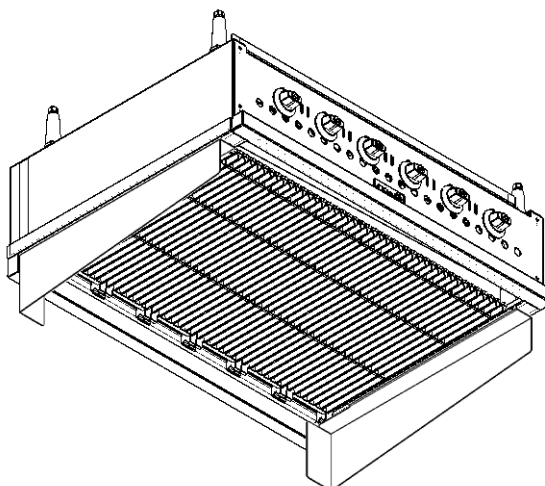
VUE ARRIÈRE



2



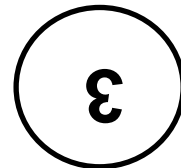
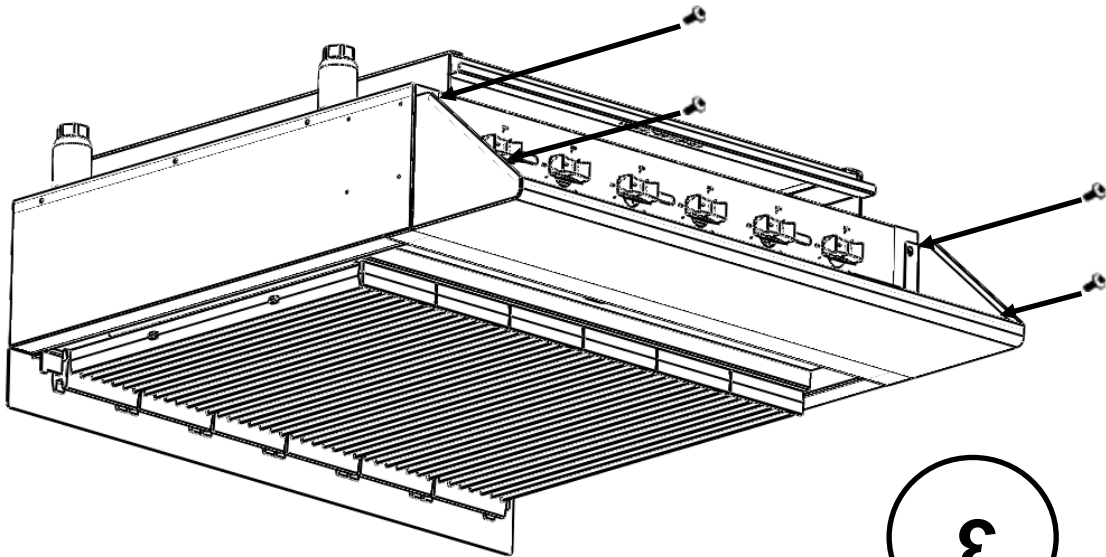
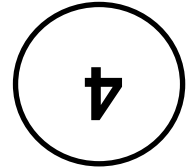
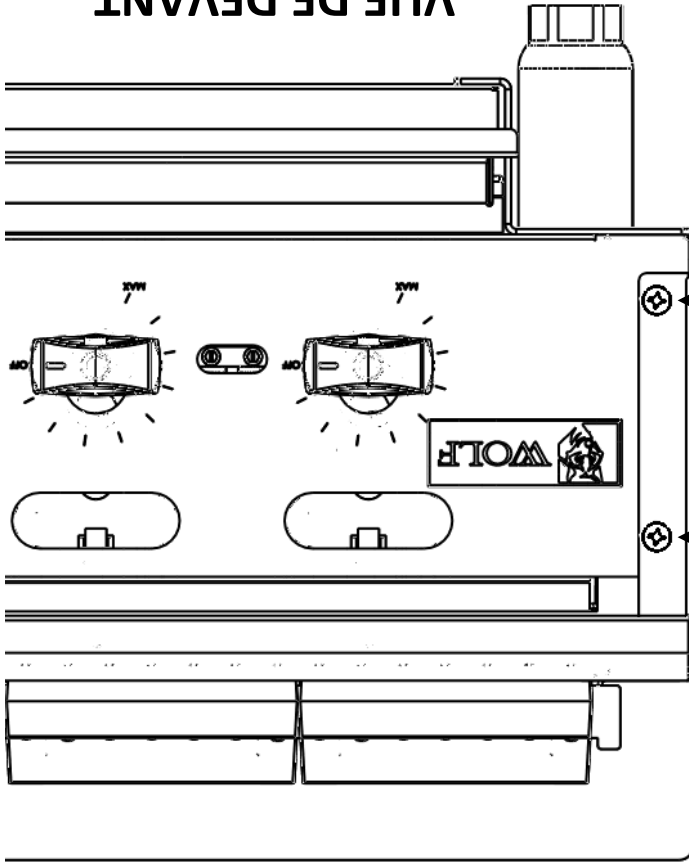
1



AVERTISSEMENT Le grill et ses pièces sont chauds. Faites attention lorsque vous employez, nettoyez ou entretenez ce grill.

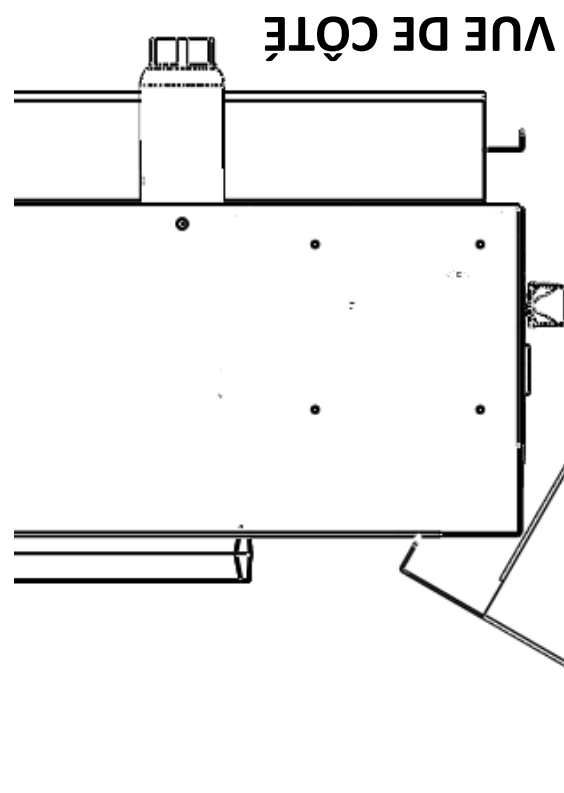
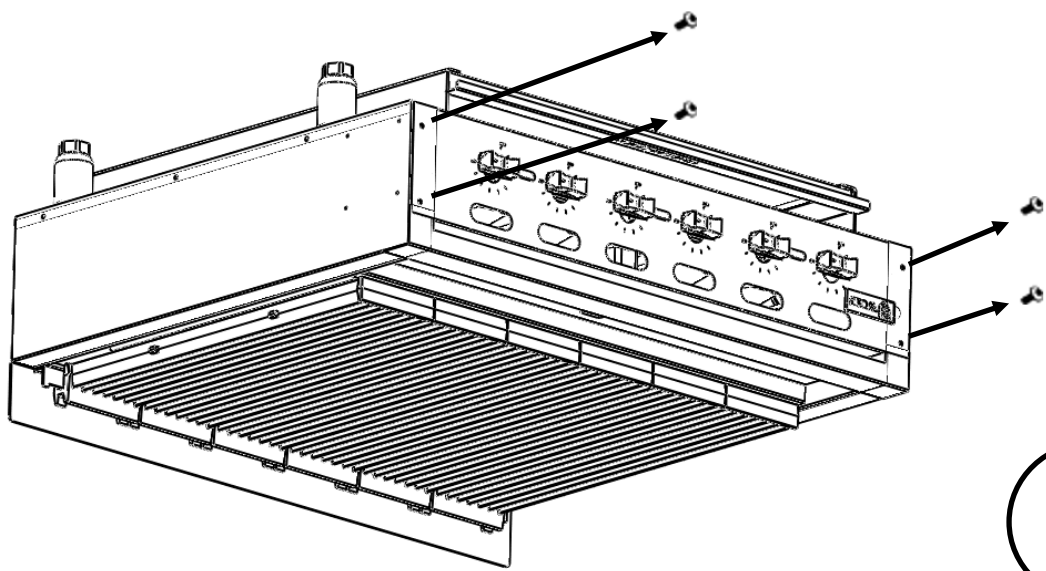
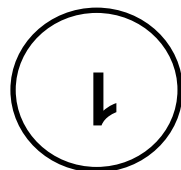
INSTALLATION DES ACCESSOIRES DE LA PAROI CONTRE LES ÉCLABOUSSURES

VUE DE DEVANT



INSTALLATION DES ACCESSOIRES

AVERTISSEMENT Le grill et ses pièces sont chauds. Faites attention au moment de le faire fonctionner, de le nettoyer ou de l'entretenir.



VUE DE CÔTÉ

ENTRETIEN



Le grill et ses pièces sont chauds. Faites attention au moment de le faire fonctionner, de le nettoyer ou de l'entretenir.

SYSTÈME DE VENTILATION

La hotte à évacuation (système de ventilation) devrait être examinée et nettoyée au moins deux fois par année.

LUBRIFICATION

Toutes les soupapes devraient être lubrifiées par un technicien qualifié avec une huile résistante aux températures élevées dès le premier signe de coincement.

SERVICE

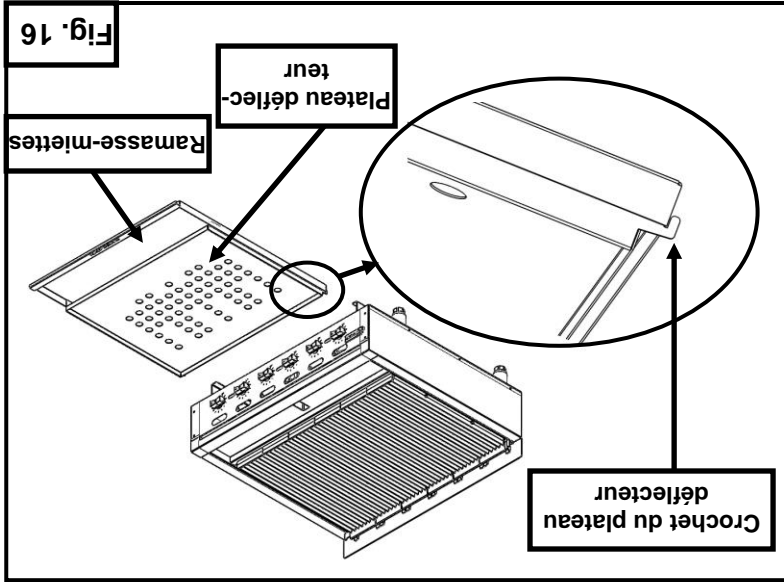
Communiquez avec votre service à la clientèle local pour toute réparation ou tout réglage nécessaire sur cet équipement. Pour une liste des bureaux des services et des pièces, consultez www.vulcanequipment.com. Lorsque vous appelez pour obtenir du service, veuillez fournir l'information suivante, disponible sur la plaque d'identification de l'appareil : le numéro du modèle et le numéro de série.

DÉPANNAGE

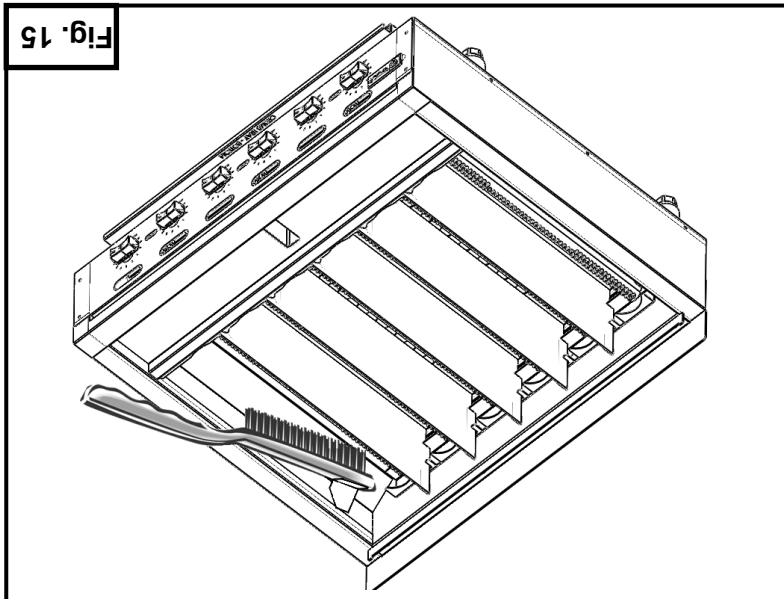
Chaleur inégale, côtés brûlés	A. Les soupapes des brûleurs sont mal réglées B. La pression du gaz varie C. Le brûleur est mal réglé
Trop de chaleur sur le dessus	A. Les soupapes des brûleurs sont réglées trop haut B. La ventilation est défectueuse C. La pression du gaz est surestimée D. Le brûleur est mal réglé
Chaleur inégale d'un côté à l'autre	A. Les soupapes des brûleurs sont mal réglées B. L'appareil n'est pas de niveau d'un côté à l'autre C. Le brûleur est mal réglé D. Le plateau déflecteur et le ramasse-miettes sont mal entretenus ou mal installés
Chaleur inégale de l'avant vers l'arrière	A. L'appareil n'est pas de niveau de l'avant vers l'arrière B. La ventilation est défectueuse C. Le brûleur est mal réglé D. Le plateau déflecteur et le ramasse-miettes sont mal entretenus ou mal installés
Panne de la veilleuse d'allumage	A. La veilleuse d'allumage est réglée trop bas. Réglez la veilleuse d'allumage pour permettre la circulation de plus de gaz. B. L'orifice de la veilleuse d'allumage est obstrué C. La pression du gaz est basse.
Flammes des brûleurs jaunes	A. Ouvrez les obturateurs des brûleurs jusqu'à ce que les flammes redeviennent bleues et touchent le brûleur
Flammes trop élevées	A. Fermez les obturateurs des brûleurs jusqu'à ce que les flammes touchent le brûleur et ne soient plus jaunes.
Variation de la pression du gaz	A. Vérifiez si la prise d'air du régulateur est bouchée

AVIS Ne jamais couvrir les trous du bac déflecteur avec du papier d'aluminium ou laisser des débris bloquer ces trous. Cela causerait une accumulation de chaleur qui pourrait potentiellement endommager et déformer certains des composants du grill barbecue.

AVIS Ne couvrez jamais la surface du grill avec une casserole ou d'autres objets pour essayer de « brûler » ou de nettoyer les débris de l'élément. Cela provoquera une augmentation de la chaleur qui peut endommager ou déformer les composants du grill.



Les plateaux déflecteurs et les ramasse-miettes doivent être vides et nettoyés régulièrement lorsqu'ils sont froids. Assurez-vous que les crochets arrière du plateau déflecteur sont passés par-dessus le bord du ramasse-miettes quand ils sont assemblés (Fig. 16).



Chaque jour, une fois qu'elles sont refroidies, enlevez les grilles et les éléments radiants pour nettoyer tous les endroits où la graisse et les aliments peuvent s'accumuler. (Fig. 15).

Les surfaces en acier inoxydable peuvent être nettoyées à l'aide d'un linge humide et d'une solution d'eau et d'un savon doux.

Les grilles peuvent tremper dans un puissant détergent commercial toute la nuit. Au matin, rincez-les avec de l'eau chaude pour enlever tout résidu du détergent. Rincez à fond et mettez de l'huile de cuisson afin de prévenir la rouille.

ALLUMAGE DE LA VELLEUSE DU GAZ

1. Mettez la valve principale de gaz et les valves de tous les brûleurs sur « OFF ». Attendez 5 minutes.

2. Ouvrez le robinet d'arrêt principal du gaz.

3. Allumez chaque velleuse à l'aide

d'une source d'ignition par le trou d'accès au pilote à l'avant du grill et allumez la velleuse (Fig. 12).

L'extrémité de la source d'ignition doit avoir au moins 7 po de long de façon à atteindre le pilote à l'intérieur du trou.

4. Tout en regardant par le trou, réglez la vis de l'obturateur de la velleuse correspondante jusqu'à ce que sa flamme présente un petit bout jaune.

5. Répétez les étapes 3 et 4 jusqu'à ce que toutes les velleuses soient allumées.

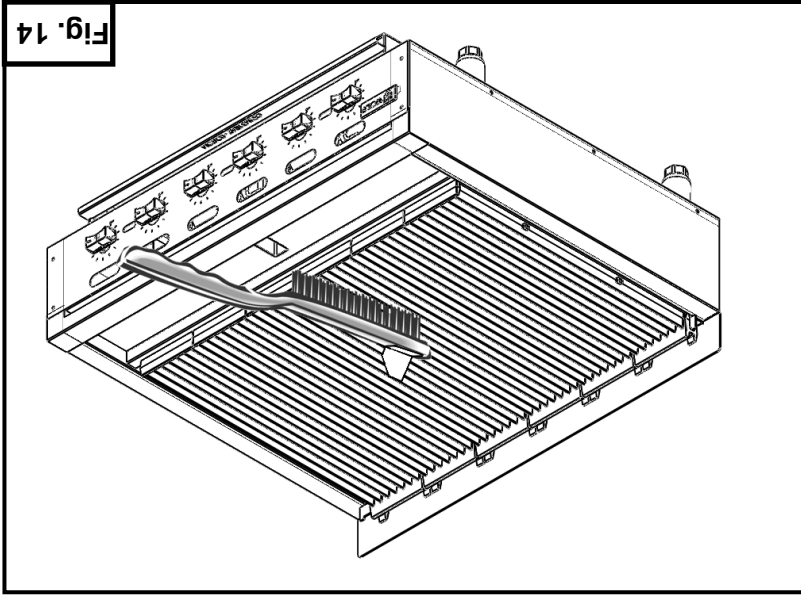
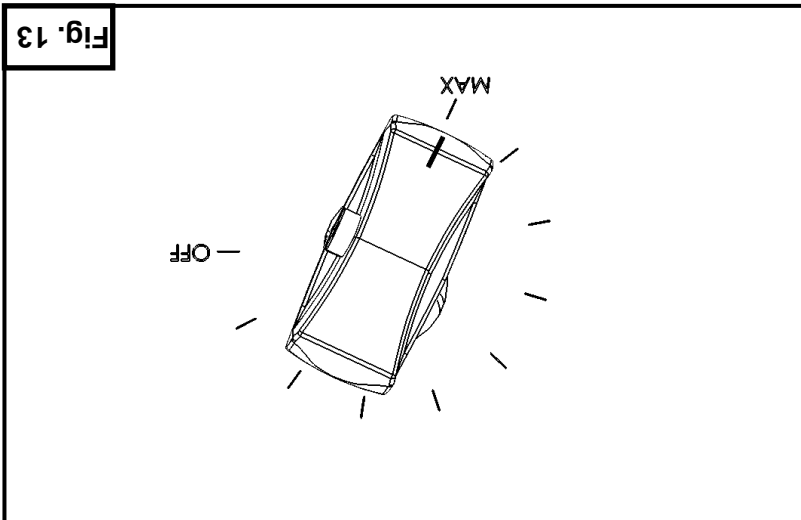
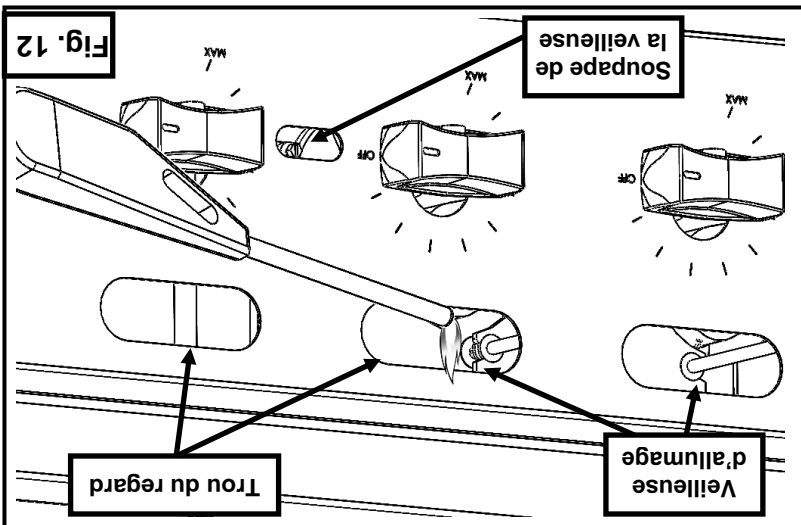
6. Pour allumer un brûleur, mettez sa soupape en position « ON » (MAX) une fois que toutes les velleuses sont allumées. (Fig. 13). Si le brûleur ne s'allume pas, mettez toutes les soupapes ainsi que la soupape principale de gaz sur « OFF » et communiquez avec une agence de service autorisée.

NETTOYAGE

⚠ AVERTISSEMENT

Le grill et ses pièces sont chauds. Faites attention lorsque vous employez, nettoyez ou entretenez ce grill.

Grattez les grilles supérieures durant la cuisson au grill avec une brosse métallique afin de les garder propres. Empêchez les débris de s'accumuler sur les grilles. (Fig. 14).



▲ AVERTISSEMENT Le grill et ses pièces sont chauds. Faites attention lorsque vous employez, nettoyez ou entreprenez ce grill.

EMPLOI

Soupapes de contrôle des veilleuses
d'allumage - Les soupapes de contrôle
des veilleuses d'allumage sont situées
entre les boutons de commande des
brûleurs et sont accessibles par les
fentes du panneau avant (Fig. 10). Il y a
une veilleuse et une vis de réglage pour
chaque brûleur.

À l'aide d'un tournevis à tête plate,
tournez la vis à tête hexagonale fendue
de réglage de la veilleuse d'allumage
dans le sens des aiguilles d'une montre
pour diminuer la flamme et dans le sens
contraire des aiguilles d'une montre
pour augmenter la flamme. Les veil-
leuses permanentes devraient être ré-
glées afin d'offrir une légère pointe
jaune sur la flamme.

Soupapes de contrôle des brûleurs - Il
y a une soupape par brûleur. Pour allu-
mer pour la première fois un brûleur, le
bouton doit être tourné sur « MAX »
puis placé au réglage souhaité.

Les brûleurs sont éteints quand leur
bouton de commande est complètement
tourné vers la droite, en position
« OFF ». Les brûleurs sont au maximum
quand leur bouton de commande est
complètement tourné vers la gauche, en
position « MAX ». Pour tout réglage in-
termédiaire, le bouton doit se trouver
environ à mi-chemin entre les marques
« OFF » et « MAX » (Fig. 11).

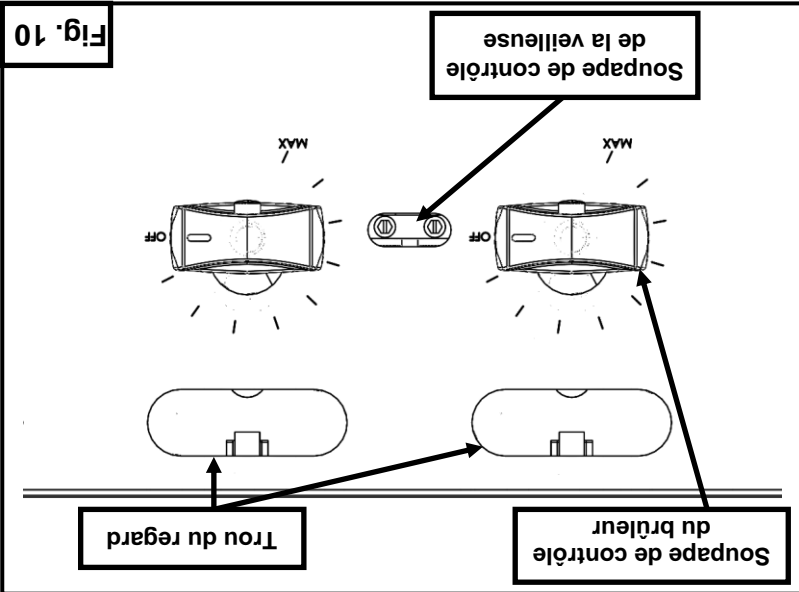
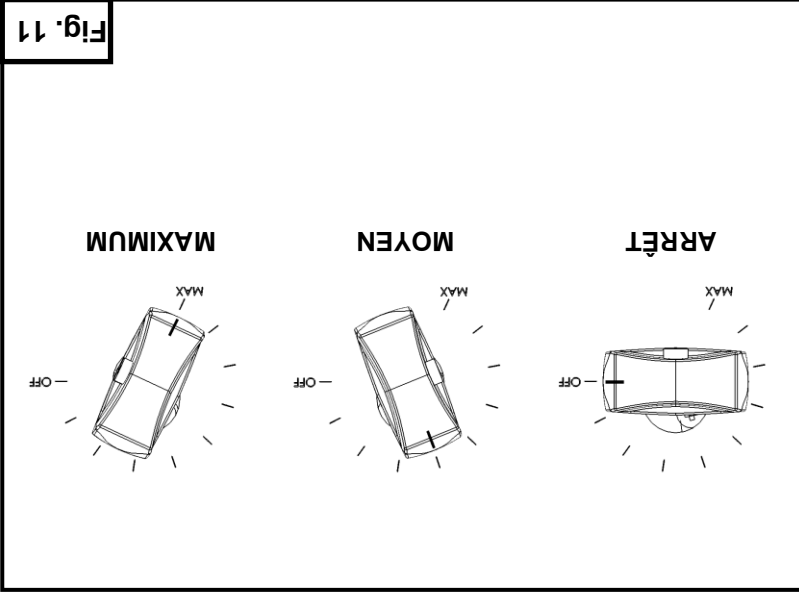
Le grill est un appareil sans évacuation.
Tous les produits de la combustion et
de la chaleur générés par les brûleurs
passent à travers les grilles. Lorsque
des aliments sont placés sur les grilles,
cela bloque la ventilation et provoque
une augmentation de la température.

POUR FERMER COMPLÈTEMENT LES FLAMMES DES BRÛLEURS ET DES VEIL- LEUSES

Pour fermer complètement : mettez le robinet d'alimentation en gaz sur « OFF ». Assu-
rez-vous que toutes les soupapes individuelles des brûleurs sont fermées.

PRÉCHAUFFAGE DU GRIL

Préchauffez le grill pendant 30 minutes. Frottez les grilles avec de l'huile de cuisson
avant de l'utiliser.



moins, le grill doit être isolé du système d'alimentation en gaz en fermant les obturateurs individuels manuels pendant tout test de pression du système.

AVERTISSEMENT Avant l'allumage, vérifiez tous les joints dans la conduite d'alimentation en gaz pour les fuites. Utilisez une solution d'eau et savon. N'utilisez pas une flamme nue.

INSTALLATION DU RÉGULATEUR DE PRESSION DE GAZ

Le régulateur de pression de gaz est pré-réglé à 25 cm CE pour le gaz naturel et à 28 cm CE pour le propane. Certains réglages mineurs peuvent être nécessaires selon la pression des gaz spécifique au site.

Installez le régulateur aussi près que possible du brûleur sur la conduite d'alimentation en gaz. Assurez-vous que la flèche au-dessous du régulateur est orientée dans la direction de la circulation du gaz du brûleur (Fig. 7) et que le régulateur est placé avec le bouchon d'aération ainsi que la vis d'ajustement vers le haut (Fig. 8).

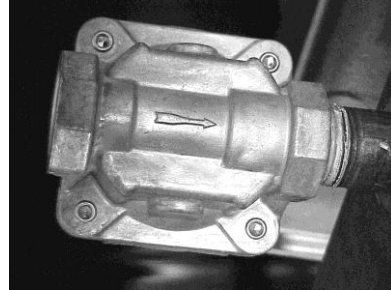


Fig. 7



Fig. 8

La pression d'alimentation (en amont du régulateur) devrait être de 18 à 23 cm CE pour le gaz naturel et de 28 à 30 cm CE pour le gaz propane. Le grill ne devrait à aucun moment être connecté à une pression d'alimentation supérieure à 1/2 psi (3,45 kPa) ou 36 cm CE.

GRILS MUNIS DE ROULETTES

Les grils sur supports avec roulettes doivent être pliés un raccord flexible (non fourni) qui est conforme à la norme Connectors for Movable Gas Appliances, ANSI Z21.69 • CSA 6.16 et un dispositif de prise à démontage rapide qui est conforme à la norme Quick-Disconnect Devices for use With Gas Fuel, ANSI-Z21.41 • CSA 6.9. De plus, des mesures appropriées doivent être apportées pour limiter le mouvement du grill sans dépendre du connecteur et du dispositif de prise à démontage rapide ou de leurs conduites associées. Attachez le dispositif de retenue à l'arrière du grill. Si le débranchement du dispositif est nécessaire, fermez l'alimentation en gaz avant le débranchement. Rebranchez le dispositif avant d'ouvrir l'alimentation en gaz et remplacez le grill à l'endroit où il doit être installé.

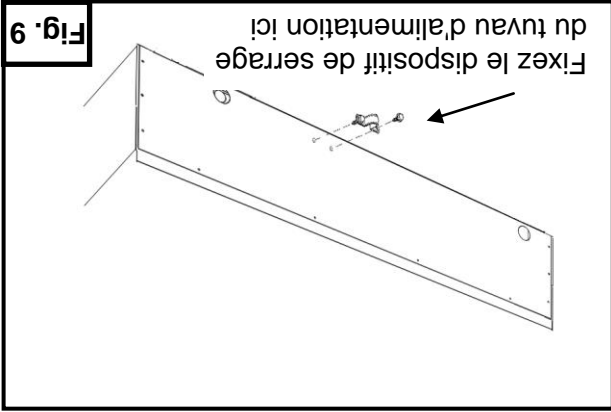


Fig. 9

Lorsque vous évaluez la tuyauterie de l'alimentation en gaz, si les pressions d'essai ex-cèdent ½ psi (3,45 kPa), le grill et son robinet d'arrêt individuel doivent être déconnectés de la tuyauterie de l'alimentation en gaz. Si la pression est de 1/2 psi (3,45 kPa) ou baisse notable.

Une alimentation adéquate en gaz est requise. Des conduites de dimension insuffisante ou à basse pression limiteront le volume de gaz nécessaire pour une performance satisfaisante. On recommande une pression d'alimentation minimum de 18 cm CE pour le gaz naturel et de 28 cm CE pour le gaz propane. Avec tous les éléments fonctionnant en même temps, la pression d'admission sur tous les éléments ne devrait pas démontrer une

et de toute pâte à tuyauterie. Un régulateur de pression est fourni et doit être installé à l'extérieur du grill lorsque vous effectuez la connexion d'alimentation en gaz. Les orifices en mince paroi sont établis à 10 cm CE (colonne d'eau) pour le gaz naturel – 25 cm CE (colonne d'eau) pour le propane. Utilisez le tarud de 0,3 cm sur la rampe de brûleurs pour vérifier la pression. Assurez-vous que les conduites de gaz soient propres et exemptes d'obstructions, de saleté

disponibles du grill à l'alimentation en gaz. Les modèles de 60 et de 72 po sont équipés d'une arrivée de gaz à chaque extrémité de l'unité. L'unité arrivera de l'usine avec un capuchon métallique à l'une des extrémités et un capuchon antipoussière sur l'autre. Vous pouvez déplacer le capuchon métallique sur l'autre extrémité et utiliser le point de raccordement étant le plus pratique pour la sortie d'alimentation. Le capuchon antipoussière peut être remplacé par un bouchon de tuyau métallique si vous n'utilisez pas cette entrée. Ne branchez pas les deux arrivées de gaz disponibles du grill à l'alimentation en gaz.

Les codes exigent que la soupape d'arrêt du gaz soit installée dans la conduite de gaz du grill. La conduite d'alimentation en gaz doit être au moins l'équivalent d'un tuyau en fer de 2 cm. Videz la conduite d'alimentation pour la nettoyer de toute poussière, saleté ou tout autre corps étranger avant de la connecter à l'appareil.

AVERTISSEMENT Toutes les connexions d'alimentation en gaz et toutes les pâtes à joints doivent résister à l'action du gaz propane.

La plaque signalétique placée sur le côté inférieur droit du grill indique le type de gaz utilisable par ce brûleur. NE branchez PAS un autre type de gaz.

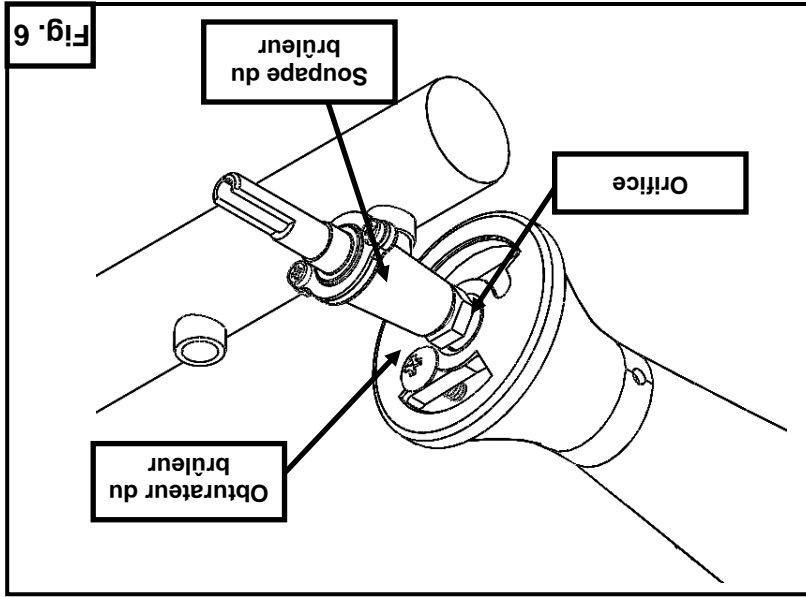
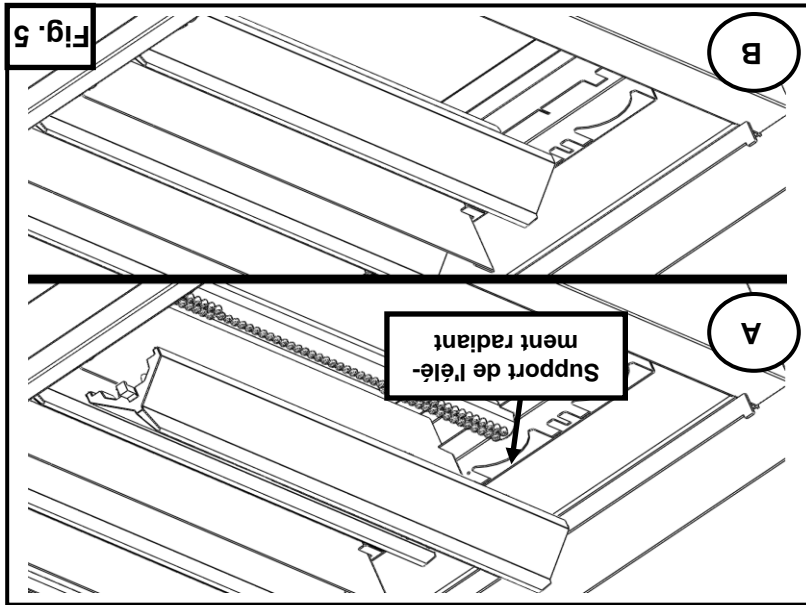
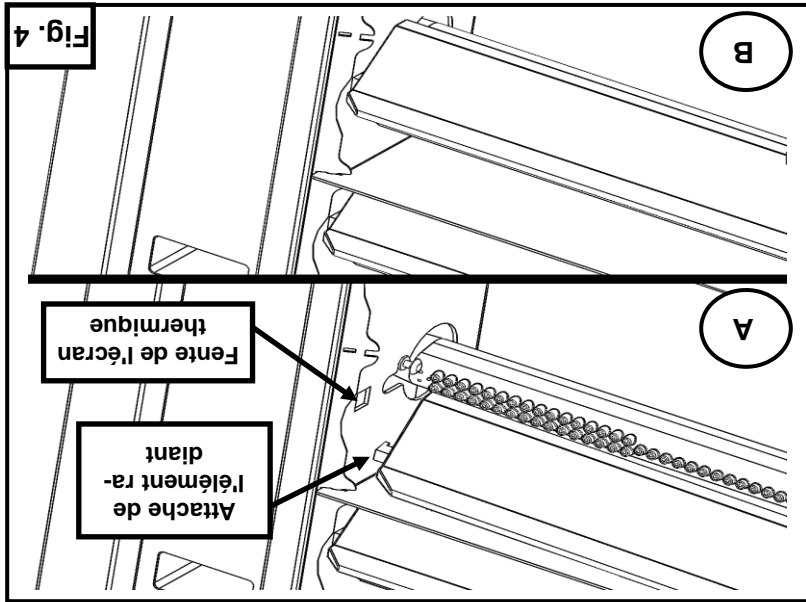
CONNEXION DU GAZ

Le grill devrait être installé sous une hotte de ventilation appropriée. Pour un emploi sécuritaire et une ventilation adéquate, laissez un espace entre le grill et la hotte à évacuation libre de toute obstruction.

HOTTE DE VENTILATION

Il est important que le grill soit mis de niveau de l'avant vers l'arrière et de la gauche vers la droite. La distribution de la chaleur sera inégale dans un appareil qui n'est pas mis de niveau. Le grill est muni de pattes réglables. Tournez le pied au bout des pattes pour régler le niveau. Vous devriez vérifier le niveau de cet appareil à nouveau chaque fois qu'il est déplacé.

MISE DE NIVEAU



Éléments radiants – Le grill ne devrait jamais être utilisé sans que les éléments radiants soient en place. Ils protègent le brûleur des éclaboussures d'aliments et chauffent de façon à procurer une cuisson uniforme. Les éléments radiants s'installent en insérant l'attache dans la fente correspondante découpée dans l'écran thermique à l'avant (Fig. 4-A), l'arrière des éléments radiants repose sur le support à éléments radiants à l'arrière (Fig. 5-A).

Brûleur – L'obturateur du brûleur doit être enfoncé dans l'orifice situé à l'avant (Fig. 6) et repose dans la fente du brûleur à l'arrière de l'unité.

L'ajustement correct des obturateurs du brûleur est essentiel pour la performance du grill. Ils doivent être ajustés avec tous les éléments radiants en place. En général, ils doivent être ouverts à 50 % pour le gaz naturel et de 80 à 100 % pour le propane. Lorsqu'ils sont bien ajustés, une flamme bleue compacte touche le brûleur. Toute trace de jaune doit être éliminée de la flamme au gaz naturel. Il ne doit y avoir qu'un petit bout de jaune avec le propane. De longues flammes à l'extrémité jaune constituent le signe qu'il n'y a pas assez d'air et que l'obturateur doit être un peu plus ouvert. Les flammes flottantes (qui ne touchent pas le brûleur) indiquent qu'il y a trop d'air et que l'obturateur doit être un peu plus fermé.

PRINCIPALES COMPOSANTES

⚠ AVERTISSEMENT

Le grill et ses pièces sont chauds. Faites attention au moment de le faire fonctionner, de le nettoyer ou de l'entre-

tenir.

Grille – Les grilles peuvent être utilisées à plat ou inclinées pour plus de flexibilité.

Plaque déflecteur – Le plateau déflecteur est le panneau amovible avec

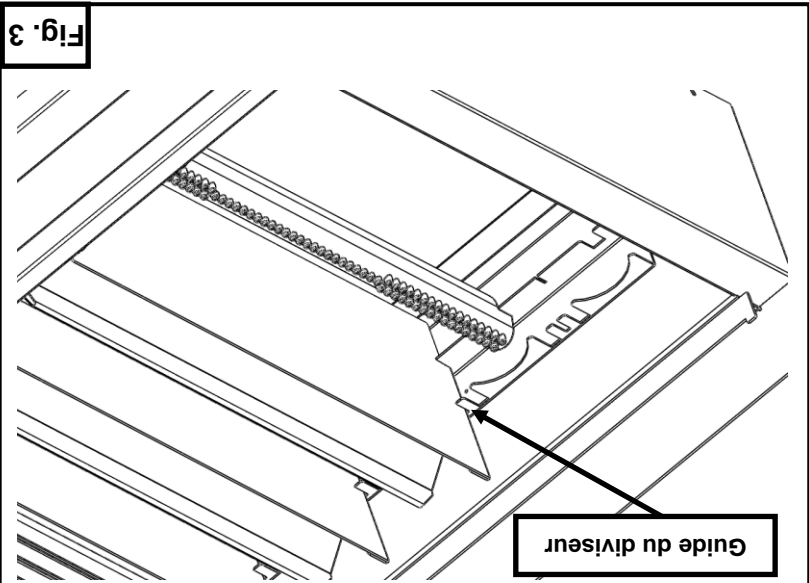
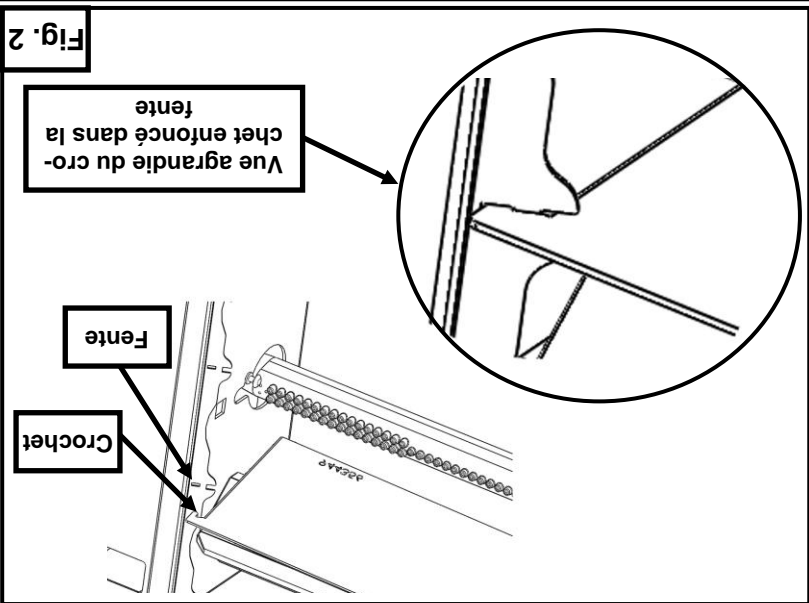
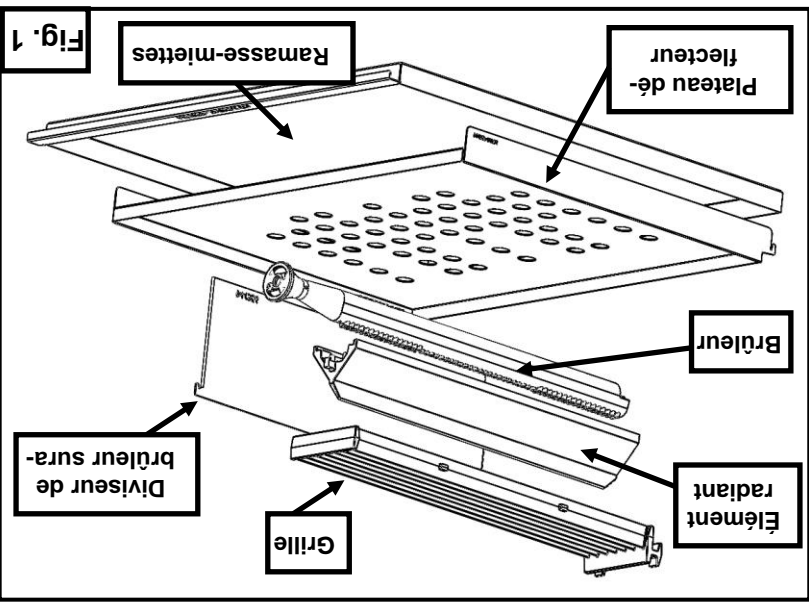
des trous. Le panneau déflecteur renvoie la chaleur vers la surface de cuisson tout en permettant aux débris de passer par les trous et de tomber dans le ramasse-miettes situé en dessous. Le plateau déflecteur doit toujours être en place au-dessus du ramasse-miettes quand il fonctionne.

AVIS

Ne jamais couvrir les trous du bac déflecteur avec du papier d'aluminium ou laisser des débris bloquer ces trous. Cela causerait une accumulation de chaleur qui pourrait potentiellement endommager et déformer certains des composants du grill barbecue.

Ramasse-miettes – Le ramasse-miettes est le panneau amovible avec des trous. Le ramasse-miettes récupère tous les débris qui passent à travers le plateau déflecteur et doit toujours être installé sous le plateau déflecteur (Fig. 1).

Diviseur de brûleur suralimenté – Il agit en diviseur entre les zones de cuisson pour offrir de la flexibilité de cuisson et aide à diriger la chaleur vers le haut pour une répartition uniforme de la chaleur. Vous pouvez retirer certains ou tous les diviseurs de brûleur suralimenté si vous trouvez une méthode de production qui fonctionne mieux sans eux. Les diviseurs de brûleur suralimenté s'installent en insérant les crochets dans les fentes correspondantes à l'avant (Fig. 2), l'arrière repose sur les guides prévus à cet effet. (Fig. 3).



EMPLACEMENT

L'emplacement où sera installée le grill doit être dégagé et exempt de combustibles. N'obstruez pas la circulation de l'air de combustion ainsi que l'air de ventilation. NE PAS installer le grill adjacent à une ou des friteuses à moins d'observer les dispositions prévues par les codes locaux et/ou les sections applicables des normes ANSI-Z223.1/NFPA N° 54 et NFPA N° 96 (éditions les plus récentes) aux États-Unis d'Amérique ou les normes CAN/CSA 149.1 et CAN/CSA149.2 (éditions les plus récentes) au Canada.

Suffisamment d'air devrait entrer dans la pièce afin de compenser la quantité d'air enlevé par tout système de ventilation et par la combustion des brûleurs de gaz. N'obstruez pas la circulation de l'air à l'intérieur et autour de l'appareil. N'obstruez pas la circulation des gaz de combustion et le dessus de la grille supérieure du grill. Placez le grill dans son emplacement définitif. Assurez-vous qu'il y a suffisamment d'espace libre pour entretenir le grill et effectuer la (les) connexion(s) nécessaire(s) d'alimentation en gaz. Prévoyez un espace libre de 61 cm à l'avant pour le nettoyage, l'entretien et l'emploi adéquat.

Ce brûleur ne doit être utilisé que dans des endroits incombustibles. Son installation dans des locaux combustibles est interdite, sauf suivant les dispositions prévues par les codes locaux et/ou les sections applicables des normes ANSI-Z223.1/NFPA N° 54 et NFPA N° 96 (éditions les plus récentes) aux États-Unis d'Amérique ou les normes CAN/CSA 149.1 et CAN/CSA149.2 (éditions les plus récentes) au Canada, le tout sujet à l'approbation de l'autorité compétente.

Les espaces minimums pour les parois non combustibles sont de 8 cm à l'arrière et de 8 cm de chaque côté.

CODES ET NORMES D'INSTALLATION

L'installation du grill doit être conforme :

Aux États-Unis d'Amérique :

1. Codes locaux et d'état.

2. National Fuel Gas Code, ANSI-Z223.1/NFPA N° 54 (dernière édition). Cela doit comprendre sans être limité à : NFPA N° 54 Section 10.3.5.2 pour la ventilation. Vous pouvez obtenir des copies auprès de l'American Gas Association Accredited Standards Committee Z223, à 400 N. Capital St. NW, Washington, DC 20001 ou le Secretary Standards Council, NFPA, 1 Batterymarch Park Quincy, MA 02169-7471

REMARQUE : dans l'État du Massachusetts

Tous les appareils d'utilisation du gaz aérés grâce à une hotte de ventilation ou à un système d'échappement muni d'une clef de réglage ou avec une moyenne potentielle d'échappement qui doivent être conformes à 248 CMR.

3. La norme NFPA n° 96 Vapor Removal from Cooking Equipment, dernière édition, disponible auprès de la National Fire Protection Association, Batterymarch Park, Quincy, MA 02269.

Au Canada :

1. Codes locaux.

2. Code d'installation du gaz naturel CAN/CSA-B149.1 (dernière édition)

3. Code d'installation du propane CAN/CSA-B149.2 (dernière édition), disponible auprès de l'Association Canadienne du Gaz, 178 boul. Rexdale, Etobicoke, Ontario, Canada M9W 1R3

INSTALLATION, FONCTIONNEMENT ET ENTRETIEN DES GRILS POUR COMPTOIR AU GAZ GÉNÉRAL

Les grils au gaz de comptoir Vulcan/Wolf sont conçus à des fins commerciales seulement et offrent une chaleur au gaz rapide et efficace. Chaque brûleur est contrôlé par une soupape à gaz réglable. Les éléments radiants sont situés directement sous chaque brûleur afin de maintenir une température uniforme. Les éléments radiants s'enlèvent facilement pour le nettoyage lorsqu'ils sont refroidis.

Les grilles supérieures en fonte résistante sont réversibles pour permettre à la surface de la grille de cuisson d'être mise à plat ou inclinée en totalité ou en partie. Un ramasse-miettes est fourni pour recueillir les écoulements et les débris de graisse; il s'ouvre par l'avant pour inspection ou nettoyage.

Modèle	Nombre de brûleurs	Consommation de gaz naturel BTU/h	Consommation de GPL BTU/h
VACB25 / ACB25	4	68 000	64 000
VACB36 / ACB36	6	102 000	96 000
VACB48 / ACB48	8	136 000	128 000
VACB60 / ACB60	11	187 000	176 000
VACB72 / ACB72	13	221 000	208 000

DÉBALLAGE

INSTALLATION

Ce gril a été inspecté avant de quitter l'usine. En acceptant sa livraison, le transporteur prend l'entière responsabilité de le livrer en toute sécurité. Immédiatement après la livraison, vérifiez s'il a effectivement subi des dommages pendant le transport.

S'il s'avère que le gril a été endommagé, veuillez suivre les procédures suivantes :

1. Le transporteur doit être averti dans les 5 jours ouvrables suivant la réception.
2. Les gens du terminus local du transporteur doivent être avisés immédiatement lors de la découverte des dommages (indiquez l'heure, la date et à qui vous avez parlé) et assurez le suivi en confirmant les faits par écrit ou par communication électronique.
3. Pour fins d'inspection, tout le matériel d'emballage original doit être conservé.
4. Le gril ne doit pas avoir été déplacé, installé ou modifié.
5. Avisez le Service à la clientèle de Vulcan immédiatement en faisant le (800) 814-2028.

Déballer soigneusement votre gril et assurez-vous qu'aucune pièce n'a été jetée avec l'emballage. Un régulateur de pression conçu pour fonctionner avec le brûleur a été fourni et doit être installé avant que le gril soit mis en service (consultez l'INSTALLATION DU RÉGULATEUR DE PRESSION DU GAZ dans ce manuel).

Avant d'effectuer l'installation, vérifiez que le type de gaz (naturel ou propane) ainsi que le dégagement correspondent aux spécifications de la plaque signalétique, qui est située sur le côté inférieur droit.

EN CAS DE PANNE DE COURANT, NE TENTEZ PAS DE FAIRE FONCTIONNER CET APPAREIL.

AVERTISSEMENT

Une installation, un ajustement, une modification, un service ou un entretien inapproprié peut causer des dommages matériels, une blessure ou la mort. Lisez minutieusement les instructions d'installation, d'emploi et d'entretien avant d'installer ou de vous servir de cet équipement.

N'ENTREPOSEZ PAS ET N'UTILISEZ PAS DE FLAMMABLES À PROXIMITÉ DE CET APPAREIL OU DE L'ESSENCE OU D'AUTRES VAPEURS OU LIQUIDES IN-TOUT AUTRE APPAREIL.

POUR VOTRE SÉCURITÉ

AU CAS OÙ UNE ODEUR DE GAZ SERAIT DÉTECTÉE, FERMEZ LE ROBINET D'ARRÊT PRINCIPAL DES APPAREILS ET COMMUNIQUEZ AVEC VOTRE COMPAGNIE DE GAZ OU VOTRE FOURNISSEUR DE GAZ LOCAL AFIN D'OBTENIR DU SERVICE.

IMPORTANT

CE MANUEL A ÉTÉ CONÇU POUR LE PERSONNEL APTE À INSTALLER UN ÉQUIPEMENT AU GAZ, QUI DOIT EFFECTUER LA MISE EN MARCHÉ ET LES RÉGLAGES INITIAUX DE L'ÉQUIPEMENT DONT IL S'AGIT DANS CE MANUEL. PLACÉZ DANS UN ENDROIT IMPORTANT LES INSTRUCTIONS QUI DOIVENT ÊTRE SUIVIES AU CAS OÙ UNE ODEUR DE GAZ SERAIT DÉTECTÉE. VOUS POUVEZ DEMANDER CES RENSEIGNEMENTS AU FOURNISSEUR DE GAZ LOCAL.

IMPORTANT POUR VOTRE SÉCURITÉ

WOLF



VULCAN

MANUEL D'INSTALLATION ET DE FONCTIONNEMENT GRILS AU GAZ

MODELES

VACB25
VACB36
VACB47
VACB60
VACB72



VACB36

ACB25
ACB36
ACB47
ACB60
ACB72



ACB36

Pour obtenir des renseignements supplémentaires au sujet de Vulcan-Hart ou pour trouver un fournisseur de pièces et service autorisé dans votre région, veuillez visiter notre site web à www.vulcanequipment.com

**GARDER CE MANUEL POUR UNE UTILI-
SATION FUTURE**

FORMULAIRE F38328 (9-15)

©ITW Food Equipment Group, LLC
3600, North Point Boulevard
Baltimore, MD 21222