



24" Gas Countertop Griddle with Manual Controls – 60,000 BTU

SKU: IBP-CTG-24

- ★ **Efficient:** 60,000 BTU burners, NG/LPG Power Type
- ★ **Durable:** Stainless steel exterior
- ★ **Certified Safety:** ETL Listed, ETL Sanitation
- ★ **Sleek:** Silver color, stainless steel material
- ★ **Convertible Design:** Manual control type, field convertible to LPG
- ★ **Powerful:** Two burners with 30,000 BTU each
- ★ **Spacious Cooking Area:** Cooking area dimensions: 24" x 20"
- ★ **Spacious:** 24" width, 28.6" depth, and 15.2" height
- ★ **Griddle Plate Thickness (Inch):** 3/4



Introducing the Inferno Blaze Premium IBP-CTG-24, a culinary marvel that seamlessly blends compact design with powerful performance. This 24" Gas Countertop Griddle with Manual Controls is meticulously crafted to infuse versatility into your kitchen, boasting an impressive 60,000 BTU output split between its two burners, each delivering 30,000 BTU for precise and efficient cooking.

| | |
|---------------------------------------|----------------------------|
| Burner BTU | 30,000 |
| Certifications | ETL Listed, ETL Sanitation |
| Color | Silver |
| Control Type | Manual |
| Cooking Dimensions (Inch) | 24 x 20 |
| Exterior Material | Stainless steel |
| Field Convertible To LPG | Yes |
| Gas Inlet Size (inch) | 3/4 |
| Griddle Plate Thickness (Inch) | 3/4 |
| Number of Burners | 2 |
| Number Of Controls | 2 |
| Power Type | NG/LPG |
| Shipping Weight (lbs) | 195 |
| Total BTU | 60,000 |
| Weight (lbs) | 161 |

Fashioned with a sleek silver exterior crafted from high-quality stainless steel, this griddle combines durability with a touch of elegance. The cooking dimensions of 24" x 20" offer a well-balanced and efficient space for culinary exploration. The 3/4 inch thick griddle plate not only ensures robust durability but also guarantees even heat distribution, promising perfect results with every use.

With ETL Listed and ETL Sanitation certifications, this griddle adheres to the highest industry standards, providing peace of mind with every culinary endeavor.

Adaptable to various gas types, the IBP-CTG-24 is field convertible to LPG, offering flexibility that aligns with your kitchen's specific requirements. The user-friendly manual controls further enhance the cooking experience, allowing for a personalized touch in every dish you create. Weighing a mere 161 lbs and with a shipping weight of 195 lbs, this griddle stands as a testament to efficiency without compromising on power.

| Item | Width (inch) | Depth (inch) | Height (inch) |
|-----------------|--------------|--------------|---------------|
| Exterior | 24 | 28.6 | 15.2 |

Certified Quality

ETL-certified, the Inferno Blaze guarantees quality and adheres to rigorous safety standards, offering peace of mind.



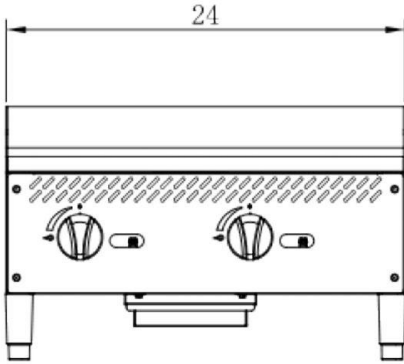
Kitchen Pro Restaurant Equipment: info@gokpe.com | www.kitchenproequipment.com | T. 1(800)603-0033

Note: Specifications subject to change without notice.

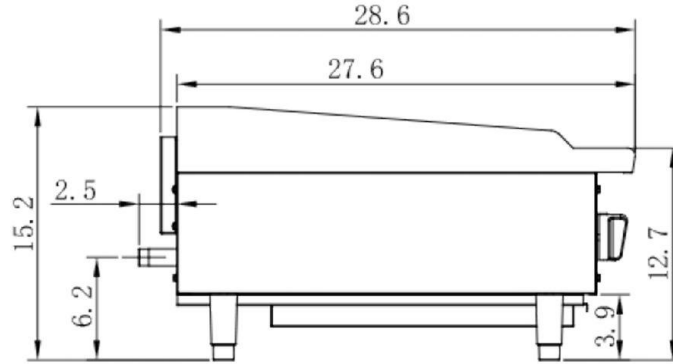
Not recommended for use in non-commercial or residential settings.

Technical Data:

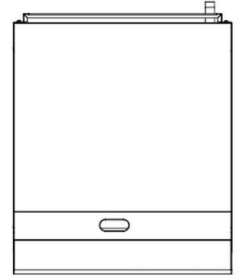
FRONT VIEW



SIDE VIEW



TOP VIEW



NG to LPG Conversion Kit Included!

This model is initially set up for Natural Gas use, but you can effortlessly switch it to a Liquid Propane configuration by replacing the N.G. orifices with L.P. orifices.

Embrace culinary excellence with the compact sophistication of the Inferno Blaze Premium IBP-CTG-24. With its powerful performance and thoughtful design, this 24" Gas Countertop Griddle is a culinary companion that effortlessly enhances your cooking space, making every meal a delightful experience.

Warning: This product can expose you to chemicals including lead, which are known to the State of California to cause cancer, birth defects, or other reproductive harm. For more information, go to www.p65warnings.ca.gov.