

FRIGOS



Frigos Premium 3-Door Undercounter Refrigerator SKU: FGP-UCRF-72

- ★ 24.5 cu. ft. interior space
- ★ Equipped with 3 shelves and reliable 1/2 HP compressor
- ★ Stainless steel exterior and interior
- ★ Durable door with rounded corners and recessed handle
- ★ 6" casters for easy mobility
- ★ Digital controller provides temperature readouts
- ★ Temperature holding range: 33°F to 41°F
- ★ Eco-friendly R290 refrigerant, 1.89 KW/24hr consumption



Amps	3.6
Capacity (Cu Ft)	24.5
Caster Size (Inch)	6
Compressor Location	Back Mounted
Door Style	Swing
Door Type	Solid
Horsepower (HP)	1/2
KW per 24h	1.89
Number of Doors	3
Number of Shelves	3
Plug Type	Nema 5-15P
Refrigerant	R-290
Shipping Weight (lbs)	301
Temperature Range	33°F to 41°F
Voltage	115/60/1
Weight (lbs)	283

Introducing the Frigos Premium FGP-UCRF-72, a high-capacity 3-Door Undercounter Refrigerator designed to meet your commercial cooling needs. With an impressive 24.5 cubic feet of storage capacity, this undercounter unit ensures you have ample space to keep your ingredients and perishables fresh and at your fingertips.

Built for efficiency and convenience, this refrigerator features a back-mounted compressor, three swinging solid doors, and three shelves, providing easy access and organization of your items. The temperature range of 33°F to 41°F guarantees optimal cooling conditions for your products. Additionally, the R-290 refrigerant and energy-efficient 1/2 HP compressor help lower power consumption, with just 1.89 KW used per 24 hours.

With a shipping weight of 301 lbs and a total weight of 283 lbs, this undercounter refrigerator is both durable and reliable. Whether you're running a busy restaurant or need extra cold storage in your kitchen, the Frigos Premium FGP-UCRF-72 is the ideal solution to keep your ingredients fresh and accessible, all while saving on energy costs.

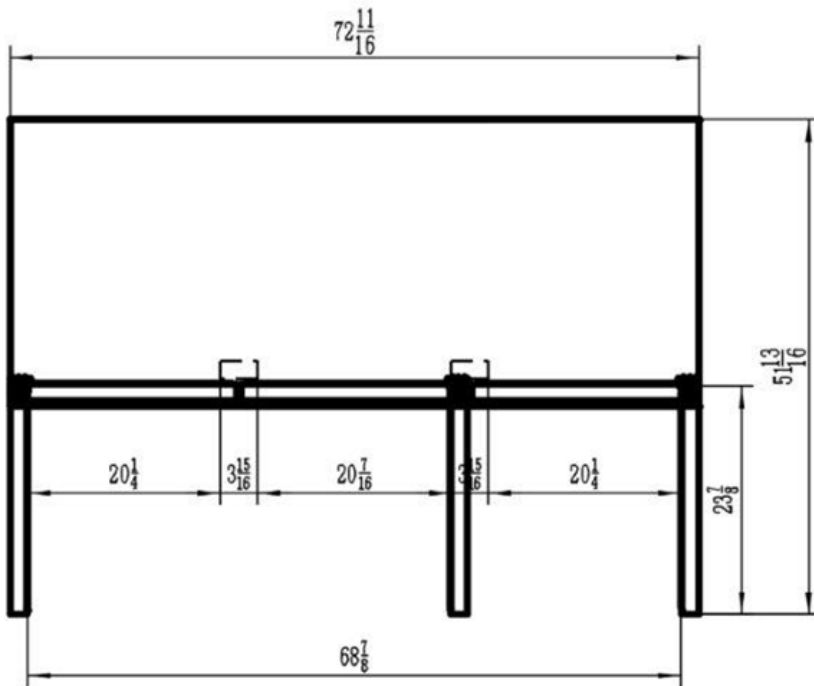
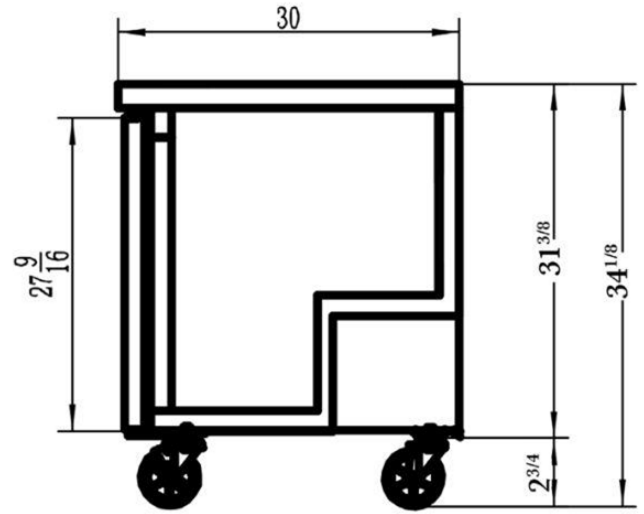
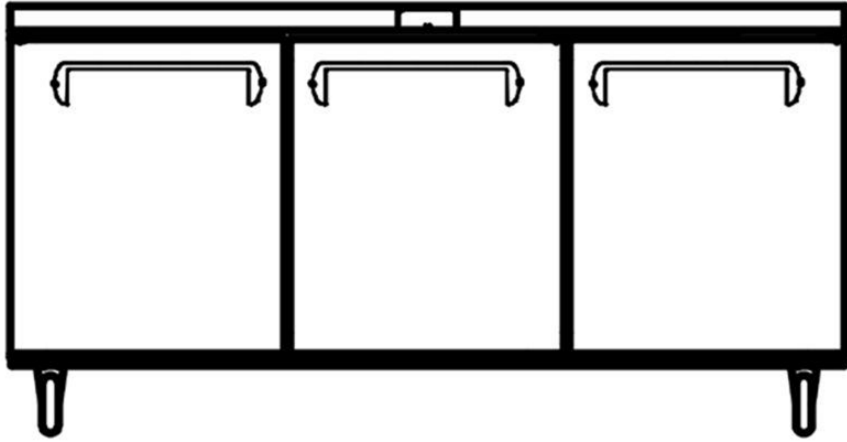
Item	Width (Inch)	Depth (Inch)	Height (Inch)	Material
Exterior	72.7	30	36.5	Stainless steel
Interior	66.7	23.6	26.7	Stainless steel



Kitchen Pro Restaurant Equipment: info@gokpe.com | www.kitchenproequipment.com | T. 1(800)603-0033

Note: Specifications subject to change without notice.

Plan View



Introducing the Frigos Premium FGP-UCRF-72: a high-capacity 3-Door Undercounter Refrigerator with 24.5 cubic feet of space.

Featuring a back-mounted compressor, energy-efficient design, and a temperature range of 33°F to 41°F, it's the perfect solution for keeping your ingredients fresh and easily accessible in any busy commercial kitchen.

Warning: This product can expose you to chemicals including lead, which are known to the State of California to cause cancer, birth defects, or other reproductive harm. For more information, go to www.p65warnings.ca.gov.