

FRIGOS



Frigos Premium Double Door
Undercounter Refrigerator
SKU: FGP-UCRF-60

- ★ 18.2 cu. ft. interior space
- ★ Equipped with 2 shelves and reliable 1/2 HP compressor
- ★ Stainless steel exterior and interior
- ★ Durable door with rounded corners and recessed handle
- ★ 6" casters for easy mobility
- ★ Digital controller provides temperature readouts
- ★ Temperature holding range: 33°F to 41°F
- ★ Eco-friendly R290 refrigerant, 1.51 KW/24hr consumption



Amps	3.6
Capacity (Cu Ft)	18.2
Caster Size (Inch)	6
Color	Silver
Compressor Location	Back Mounted
Door Style	Swing
Door Type	Solid
Horsepower (HP)	1/2
KW per 24h	1.51
Number of Doors	2
Number of Shelves	2
Plug Type	Nema 5-15P
Refrigerant	R-290
Shipping Weight (lbs)	266
Temperature Range	33°F to 41°F
Voltage	115/60/1
Weight (lbs)	245

Introducing the Frigos Premium FGP-UCRF-60, a double-door undercounter refrigerator with an 18.2 cubic feet capacity, designed to elevate your commercial kitchen refrigeration needs. This unit provides a balance of efficient cooling and storage space, making it an essential addition for any professional kitchen.

The FGP-UCRF-60 boasts a back-mounted compressor and two solid swinging doors, offering quick and convenient access to your stored items. The temperature range of 33°F to 41°F ensures that your ingredients remain at the ideal temperature for freshness. It's eco-conscious too, with R-290 refrigerant and a 1/2 HP compressor that reduces power consumption to just 1.51 KW per 24 hours.

With a sleek silver exterior and caster wheels for easy mobility, this undercounter refrigerator not only offers reliability but also fits seamlessly into your kitchen layout. Whether you run a bustling restaurant, cafe, or catering business, the Frigos Premium FGP-UCRF-60 is your go-to solution for keeping your ingredients cool, fresh, and ready to serve.

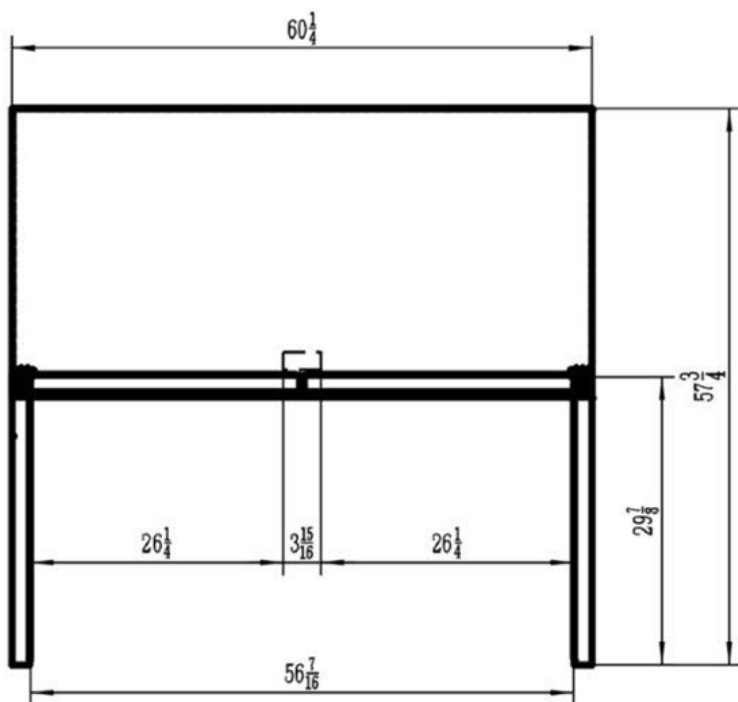
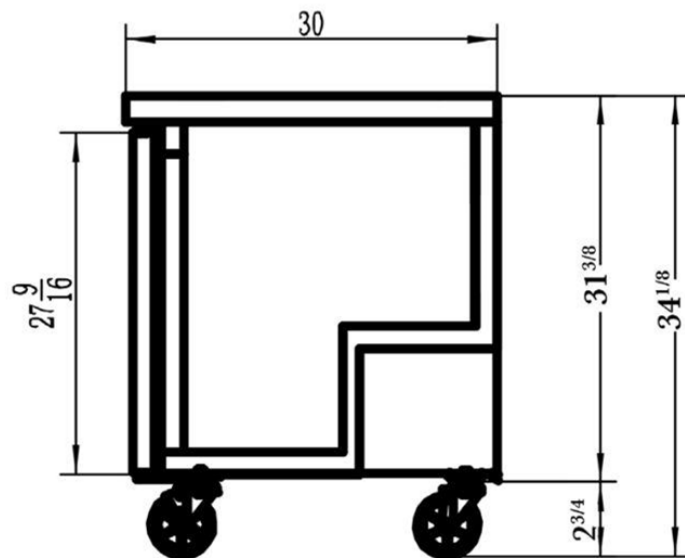
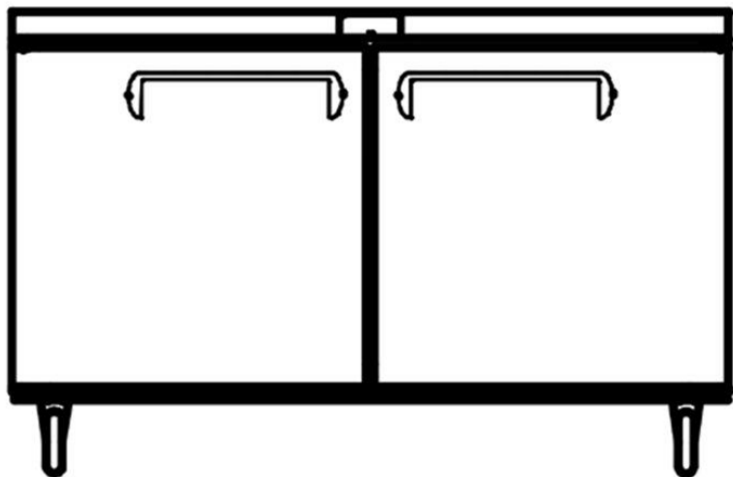
Item	Width (Inch)	Depth (Inch)	Height (Inch)	Material
Exterior	60.2	30	36.5	Stainless steel
Interior	56.7	23.6	26.7	Stainless steel



Kitchen Pro Restaurant Equipment: info@gokpe.com | www.kitchenproequipment.com | T. 1(800)603-0033

Note: Specifications subject to change without notice.

Plan View



Introducing the Frigos Premium FGP-UCRF-60: a double-door undercounter refrigerator with an 18.2 cubic feet capacity. With a back-mounted compressor, eco-friendly features, and a sleek silver design, it's the ideal solution for efficient and reliable refrigeration in your commercial kitchen.

Warning: This product can expose you to chemicals including lead, which are known to the State of California to cause cancer, birth defects, or other reproductive harm. For more information, go to www.p65warnings.ca.gov.