

FRIGOS



Frigos Premium 2-Door Undercounter Refrigerator SKU: FGP-UCRF-48

- ★ 12 cu. ft. interior space
- ★ Equipped with 2 shelves and reliable 1/3 HP compressor
- ★ Stainless steel exterior and interior
- ★ Durable door with rounded corners and recessed handle
- ★ 6" casters for easy mobility
- ★ Digital controller provides temperature readouts
- ★ Temperature holding range: 33°F to 41°F
- ★ Eco-friendly R290 refrigerant, 1.42 KW/24hr consumption



Amps	3.6
Capacity (Cu Ft)	12
Caster Size (Inch)	6
Color	Silver
Compressor Location	Back Mounted
Door Style	Swing
Door Type	Solid
Horsepower (HP)	1/3
KW per 24h	1.42
Number of Doors	2
Number of Shelves	2
Plug Type	Nema 5-15P
Refrigerant	R-290
Shipping Weight (lbs)	236
Temperature Range	33°F to 41°F
Voltage	115/60/1
Weight (lbs)	212

Introducing the Frigos Premium FGP-UCRF-48, a versatile 2-Door Undercounter Refrigerator designed to enhance the efficiency of your commercial kitchen. With a 12 cubic feet capacity, this compact powerhouse provides the ideal solution for keeping your ingredients and perishables fresh and within arm's reach.

The FGP-UCRF-48 features a back-mounted compressor and two sturdy swinging solid doors, ensuring easy access and convenient organization. Its temperature range of 33°F to 41°F guarantees the perfect cooling conditions for a variety of food items. The refrigerator's energy-efficient design, including a 1/3 HP compressor and R-290 refrigerant, results in a minimal power consumption of just 1.42 KW per 24 hours, helping you save on operational costs.

This undercounter refrigerator, with its sleek silver exterior and robust 6-inch caster wheels, seamlessly fits into your kitchen layout while offering mobility for flexible placement. Whether you're running a bustling restaurant, a cafe, or a catering business, the Frigos Premium FGP-UCRF-48 is your trusted companion for keeping your ingredients fresh and accessible, ensuring your kitchen operates at peak performance.

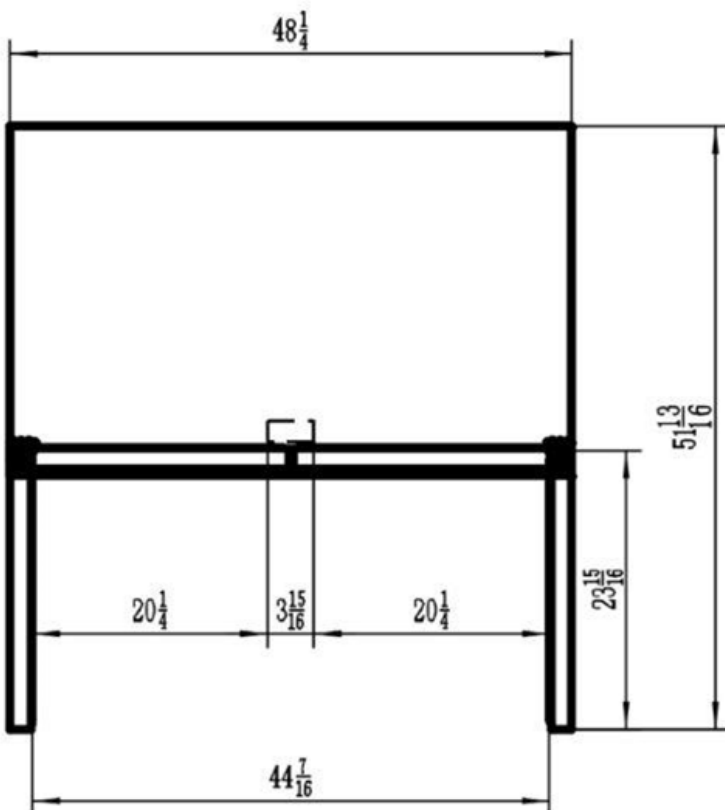
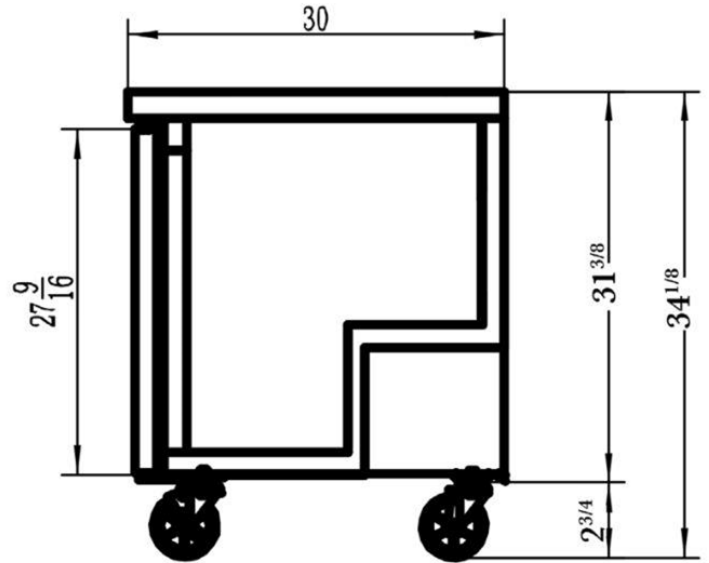
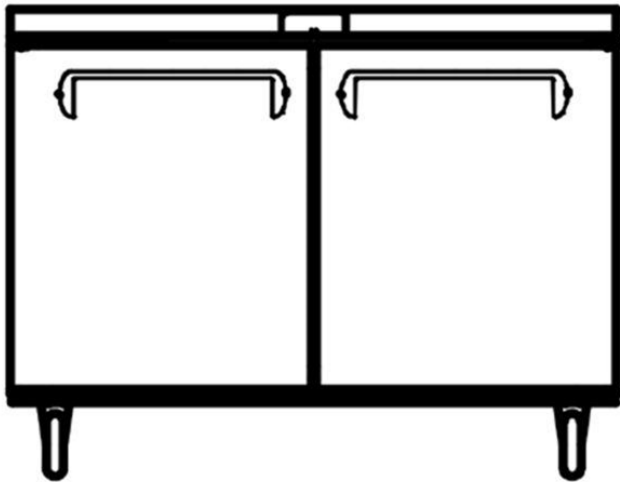
Item	Width (Inch)	Depth (Inch)	Height (Inch)	Material
Exterior	48.2	30	36.5	Stainless steel
Interior	44.7	23.6	26.7	Stainless steel



Kitchen Pro Restaurant Equipment: info@gokpe.com | www.kitchenproequipment.com | T. 1(800)603-0033

Note: Specifications subject to change without notice.

Plan View



Introducing the Frigos Premium FGP-UCRF-48: a powerful 2-Door Undercounter Refrigerator with a 12 cubic feet capacity. With a back-mounted compressor, energy-efficient design, and sleek silver finish, it's the ideal solution for keeping your ingredients fresh and easily accessible in any commercial kitchen.

Warning: This product can expose you to chemicals including lead, which are known to the State of California to cause cancer, birth defects, or other reproductive harm. For more information, go to www.p65warnings.ca.gov.