

FRIGOS



Frigos Premium 1-Door Undercounter Refrigerator SKU: FGP-UCRF-27

- ★ 6.5 cu. ft. interior space
- ★ Equipped with 1 shelf and reliable ¼ HP compressor
- ★ Stainless steel exterior and interior
- ★ Durable door with rounded corners and recessed handle
- ★ 6" casters for easy mobility
- ★ Digital controller provides temperature readouts
- ★ Temperature holding range: 33°F to 41°F
- ★ Eco-friendly R290 refrigerant, 0.9 KW/24hr consumption



Amps	2.5
Capacity (Cu Ft)	6.5
Caster Size (Inch)	6
Color	Silver
Compressor Location	Back Mounted
Door Style	Swing
Door Type	Solid
Horsepower (HP)	1/4
KW per 24h	0.9
Number of Doors	1
Number of Shelves	1
Plug Type	Nema 5-15P
Refrigerant	R-290
Shipping Weight (lbs)	164
Temperature Range	33°F to 41°F
Voltage	115/60/1
Weight (lbs)	151

Introducing the Frigos Premium FGP-UCRF-27, a space-efficient 1-Door Undercounter Refrigerator with a 6.5 cubic feet capacity, perfectly tailored to meet the cooling needs of your commercial kitchen. This compact and reliable refrigerator ensures that you have the ideal storage solution for keeping your ingredients fresh and readily accessible.

The FGP-UCRF-27 features a back-mounted compressor, a single swinging solid door, and a shelf that allows for easy organization and quick access to your refrigerated items. With a temperature range of 33°F to 41°F, it guarantees that your food remains at the optimal cooling temperature. Thanks to its energy-efficient design, including a 1/4 HP compressor and the use of eco-friendly R-290 refrigerant, this refrigerator consumes just 0.9 KW per 24 hours, reducing your energy costs.

With its sleek silver exterior, 6-inch caster wheels for mobility, and a shipping weight of 164 lbs, this undercounter refrigerator provides both convenience and durability. Whether you operate a compact cafe, a busy restaurant, or a catering business, the Frigos Premium FGP-UCRF-27 is the perfect choice for maintaining the freshness and accessibility of your ingredients, ensuring that your kitchen runs smoothly and efficiently.

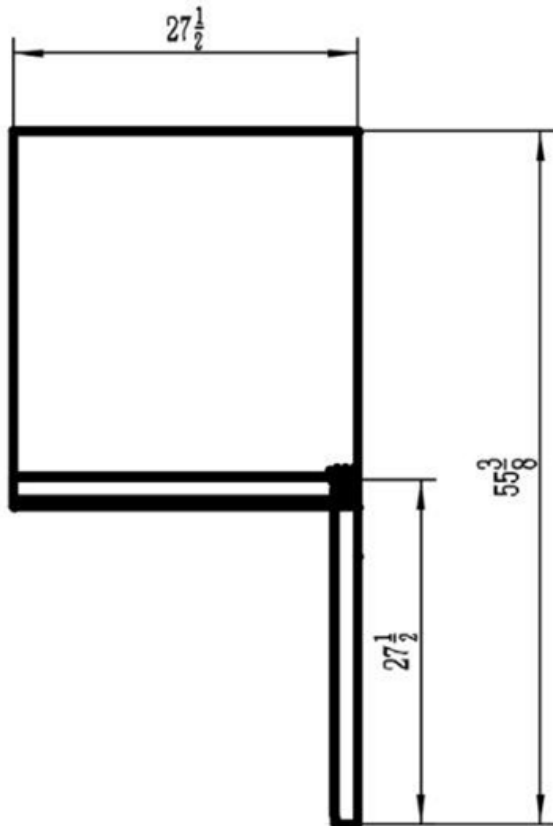
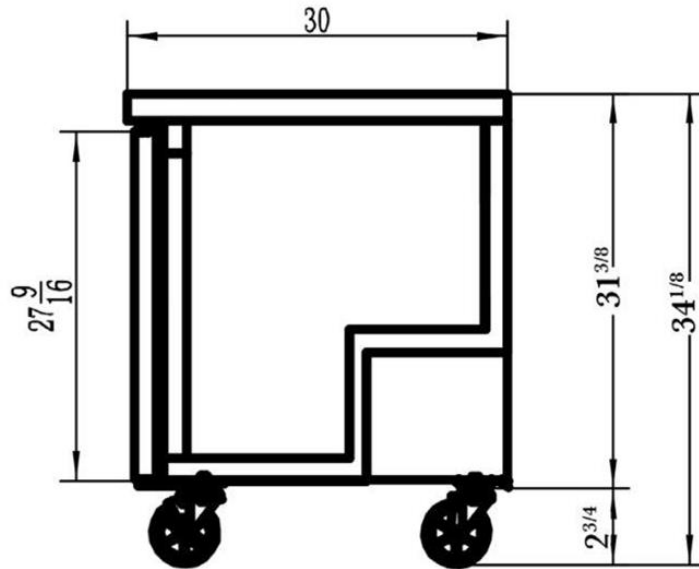
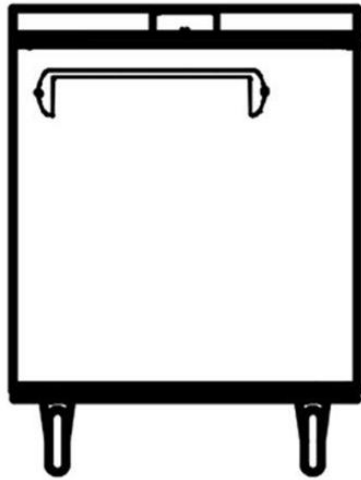
Item	Width (Inch)	Depth (Inch)	Height (Inch)	Material
Exterior	27.5	30	36.5	Stainless steel
Interior	23.9	23.6	26.7	Stainless steel



Kitchen Pro Restaurant Equipment: info@gokpe.com | www.kitchenproequipment.com | T. 1(800)603-0033

Note: Specifications subject to change without notice.

Plan View



Introducing the Frigos Premium FGP-UCRF-27: a compact 1-Door Undercounter Refrigerator with a 6.5 cubic feet capacity. With a back-mounted compressor, eco-friendly design, and sleek silver exterior, it's the ideal choice for keeping your ingredients fresh and easily accessible in any commercial kitchen.

Warning: This product can expose you to chemicals including lead, which are known to the State of California to cause cancer, birth defects, or other reproductive harm. For more information, go to www.p65warnings.ca.gov.