

# FRIGOS



Frigos Premium Refrigerated Pizza  
Prep Table 3 Door  
SKU: FGP-PZ-3D

- ★ 26 cu. ft. interior space
- ★ Equipped with 3 shelves and ¼+ HP compressor
- ★ Stainless steel exterior and interior
- ★ Durable door with recessed handle
- ★ 6" casters for easy mobility
- ★ Digital controller provides temperature readouts
- ★ Temperature holding range: 33°F to 41°F
- ★ Eco-friendly R290 refrigerant, 4.8 KW/24hr consumption.



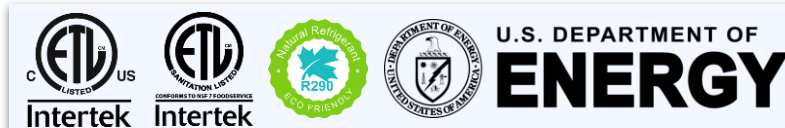
<b>Amps</b>	9
<b>Capacity (Cu Ft)</b>	26
<b>Caster Size (Inch)</b>	6
<b>Color</b>	Silver
<b>Compressor Location</b>	Right Side Mounted
<b>Door Style</b>	Swing
<b>Door Type</b>	Solid
<b>Horsepower (HP)</b>	1/4+
<b>KW per 24h</b>	4.8
<b>Number of Doors</b>	3
<b>Number of Shelves</b>	3
<b>Plug Type</b>	Nema 5-15P
<b>Refrigerant</b>	R-290
<b>Temperature Range</b>	33°F to 41°F
<b>Voltage</b>	115/60/1
<b>Weight (lbs)</b>	503

Introducing the Frigos Premium FGP-PZ-3D, a versatile 93-inch refrigerated pizza prep table with three solid swing doors. This pizza prep table is the ultimate choice for professional pizzerias, offering ample space for ingredient storage and pizza preparation while maintaining the freshness of your toppings.

With a spacious 26 cubic feet of storage capacity and a temperature range of 33°F to 41°F, you can store a wide variety of pizza ingredients in optimal conditions. The right side-mounted compressor, powered by a robust 1/4+ HP motor, guarantees consistent cooling and reliability during the busiest shifts. The Frigos Premium FGP-PZ-3D features three shelves for efficient ingredient organization and easy access when crafting your pizzas.

Designed with both durability and aesthetics in mind, this pizza prep table is constructed with stainless steel both inside and out, making it easy to clean and maintain in a demanding kitchen environment. The silver finish not only adds a touch of sophistication to your kitchen but also ensures long-lasting performance. If you're looking for a high-capacity, reliable, and sleek pizza prep table to streamline your pizza-making process, the Frigos Premium FGP-PZ-3D is the perfect choice for any pizzeria or restaurant.

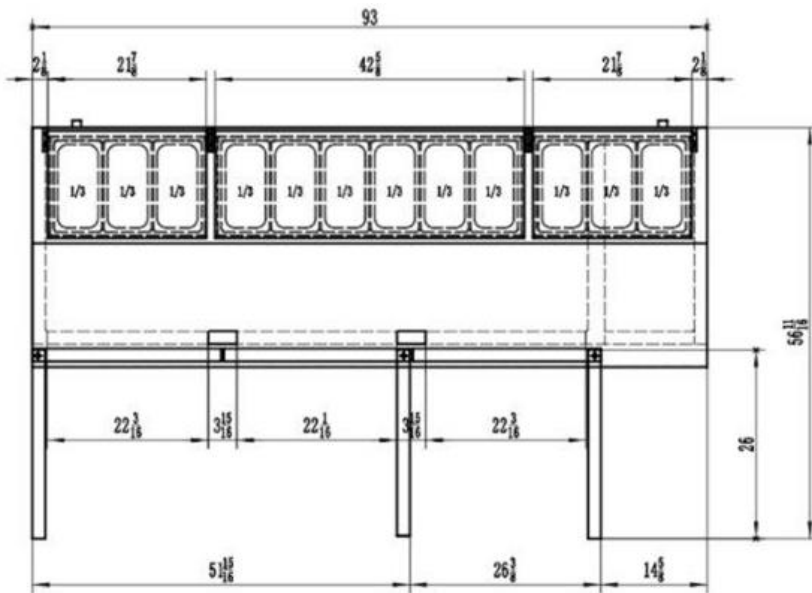
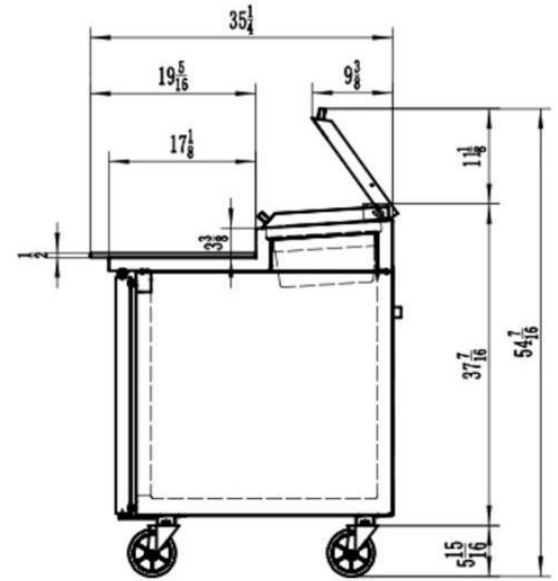
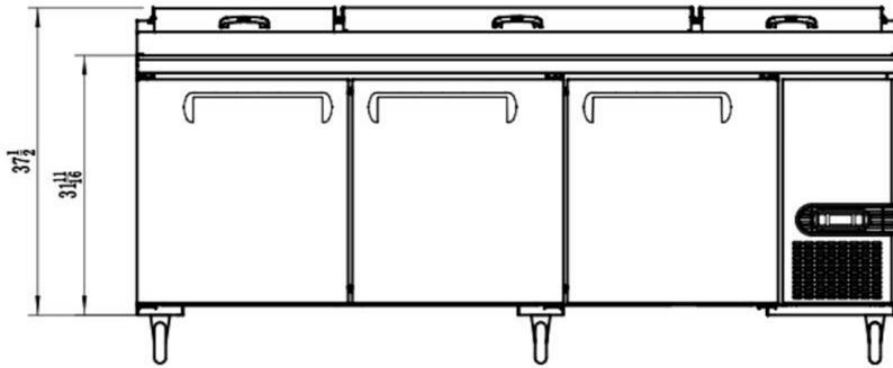
Item	Width (Inch)	Depth (Inch)	Height (Inch)	Material
Exterior	93	33	42	Stainless steel
Interior	89.4	26.4	26.3	Stainless steel



**Kitchen Pro Restaurant Equipment:** [info@gokpe.com](mailto:info@gokpe.com) | [www.kitchenproequipment.com](http://www.kitchenproequipment.com) | T. 1(800)603-0033

Note: Specifications subject to change without notice.

# Plan View



In essence, the Frigos Premium FGP-PZ-3D redefines pizza preparation with its 93-inch design, three solid swing doors, and a robust 26 cubic feet of storage. Offering both reliability and elegance, this refrigerated pizza prep table ensures optimal ingredient freshness, organization, and durability for professional pizzerias.

**Warning:** This product can expose you to chemicals including lead, which are known to the State of California to cause cancer, birth defects, or other reproductive harm. For more information, go to [www.p65warnings.ca.gov](http://www.p65warnings.ca.gov).