

FRIGOS



Frigos Premium Refrigerated Pizza Prep Table 2 Door SKU: FGP-PZ-2D

- ★ 20 cu. ft. interior space
- ★ Equipped with 2 shelves and 1/5 HP compressor
- ★ Stainless steel exterior and interior
- ★ Durable door with recessed handle
- ★ 6" casters for easy mobility
- ★ Digital controller provides temperature readouts
- ★ Temperature holding range: 33°F to 41°F
- ★ Eco-friendly R290 refrigerant, 3.9 KW/24hr consumption.



Amps	7.6
Capacity (Cu Ft)	20
Caster Size (Inch)	6
Color	Silver
Compressor Location	Right Side Mounted
Door Style	Swing
Door Type	Solid
Horsepower (HP)	1/5
KW per 24h	3.9
Number of Doors	2
Number of Shelves	2
Plug Type	Nema 5-15P
Refrigerant	R-290
Temperature Range	33°F to 41°F
Voltage	115/60/1
Weight (lbs)	385

Introducing the Frigos Premium FGP-PZ-2D, a 67-inch refrigerated pizza prep table with two swing-style solid doors. This pizza prep table is designed to be the heart of your pizzeria or restaurant's kitchen, providing you with a reliable and spacious workspace for preparing your signature pies.

With a generous 20 cubic feet of storage capacity and a temperature range of 33°F to 41°F, you can keep your pizza ingredients at their freshest. The right side-mounted compressor, powered by a 1/5 HP motor, ensures consistent cooling and reliability even during peak hours. This prep table is equipped with two shelves, offering ample space for ingredient organization and easy access during pizza preparation.

Constructed with high-quality stainless steel inside and out, the Frigos Premium FGP-PZ-2D is not only durable but also easy to clean, making it perfect for busy kitchen environments. The silver finish adds a touch of elegance to your kitchen while ensuring long-lasting performance. If you're looking for an efficient and well-designed pizza prep table to enhance your pizza-making process, the Frigos Premium FGP-PZ-2D is the ideal choice for any pizza enthusiast or professional chef.

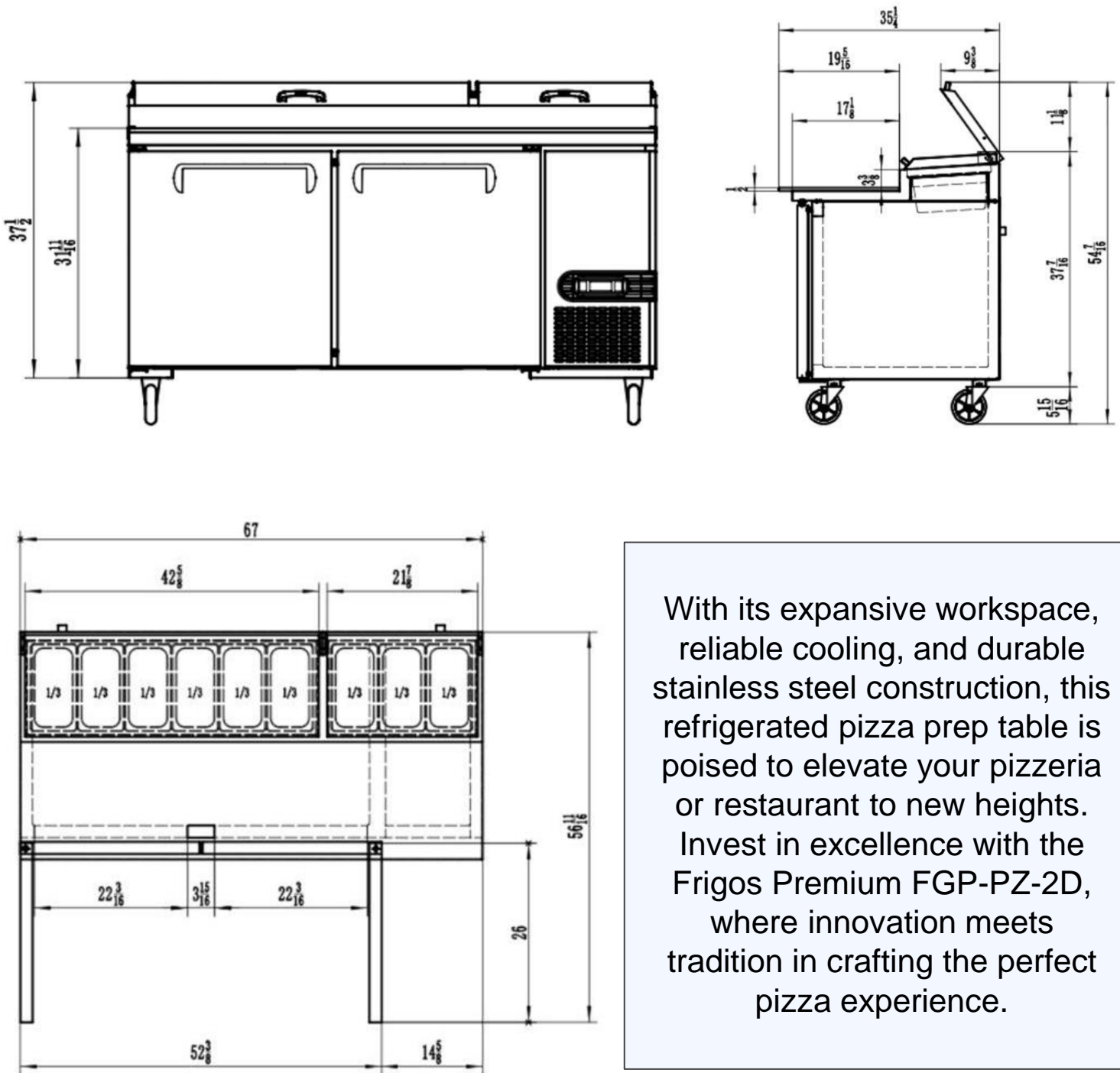
Item	Width (Inch)	Depth (Inch)	Height (Inch)	Material
Exterior	67	33	42	Stainless steel
Interior	63.5	26.42	26.3	Stainless steel



Kitchen Pro Restaurant Equipment: info@gokpe.com | www.kitchenproequipment.com | T. 1(800)603-0033

Note: Specifications subject to change without notice.

Plan View



With its expansive workspace, reliable cooling, and durable stainless steel construction, this refrigerated pizza prep table is poised to elevate your pizzeria or restaurant to new heights. Invest in excellence with the Frigos Premium FGP-PZ-2D, where innovation meets tradition in crafting the perfect pizza experience.

Warning: This product can expose you to chemicals including lead, which are known to the State of California to cause cancer, birth defects, or other reproductive harm. For more information, go to www.p65warnings.ca.gov.