

# FRIGOS



## Frigos Premium Refrigerated Pizza Prep Table

SKU: FGP-PZ-1D

- ★ 14 cu. ft. interior space
- ★ Equipped with 1 shelf and 1/7+ HP compressor
- ★ Stainless steel exterior and interior
- ★ Durable door with recessed handle
- ★ 6" casters for easy mobility
- ★ Digital controller provides temperature readouts
- ★ Temperature holding range: 33°F to 41°F
- ★ Eco-friendly R290 refrigerant, 2.9 KW/24hr consumption.



<b>Amps</b>	4.4
<b>Capacity (Cu Ft)</b>	14
<b>Caster Size (Inch)</b>	6
<b>Color</b>	Silver
<b>Compressor Location</b>	Right Side Mounted
<b>Door Style</b>	Swing
<b>Door Type</b>	Solid
<b>Horsepower (HP)</b>	1/7+
<b>KW per 24h</b>	2.9
<b>Number of Doors</b>	1
<b>Number of Shelves</b>	1
<b>Plug Type</b>	Nema 5-15P
<b>Refrigerant</b>	R-290
<b>Temperature Range</b>	33°F to 41°F
<b>Voltage</b>	115/60/1
<b>Weight (lbs)</b>	309

Introducing the Frigos Premium FGP-PZ-1D, a 44-inch refrigerated pizza prep table featuring a single solid swing-style door. This pizza prep table is a must-have for pizzerias and restaurants that demand efficiency and precision when preparing delicious pizzas.

With a generous 14 cubic feet of storage capacity and a temperature range of 33°F to 41°F, this prep table keeps your pizza ingredients fresh and ready for action. The built-in compressor, right side mounted for convenience, is powered by a 1/7+ HP motor, ensuring efficient cooling and consistent performance. Whether you're a small pizza shop or a bustling restaurant, the Frigos Premium FGP-PZ-1D is designed to meet your demands.

Crafted from durable stainless steel both inside and out, this pizza prep table is built to withstand the rigors of a busy kitchen. It includes one shelf for organized ingredient storage and easy access during pizza preparation. The silver finish adds a touch of sophistication to your kitchen while ensuring its longevity. If you're looking for a high-quality pizza prep table to streamline your pizza-making process, the Frigos Premium FGP-PZ-1D is the perfect addition to your kitchen lineup.

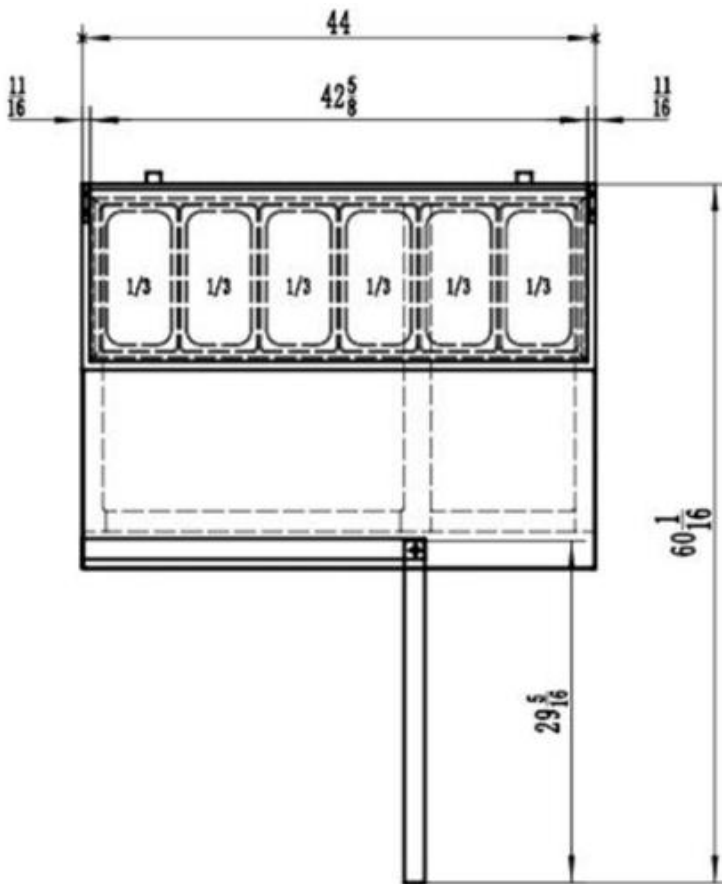
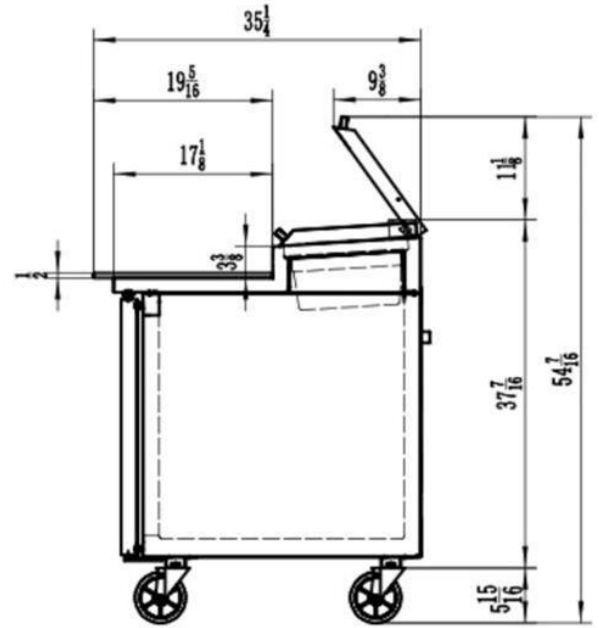
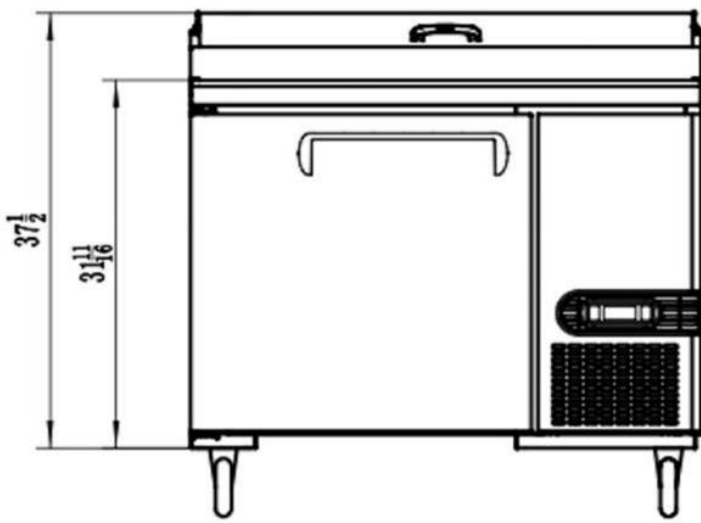
Item	Width (Inch)	Depth (Inch)	Height (Inch)	Material
Exterior	44	33	42	Stainless steel
Interior	40.4	26.4	26.3	Stainless steel



**Kitchen Pro Restaurant Equipment:** [info@gokpe.com](mailto:info@gokpe.com) | [www.kitchenproequipment.com](http://www.kitchenproequipment.com) | T. 1(800)603-0033

Note: Specifications subject to change without notice.

# Plan View



Frigos Premium FGP-PZ-1D stands as the epitome of efficiency and durability in pizza preparation, offering a spacious and well-designed solution for both small pizzerias and bustling restaurants. Elevate your kitchen's performance with this premium refrigerated pizza prep table, where quality craftsmanship meets the demands of a dynamic pizza-making environment.

**Warning:** This product can expose you to chemicals including lead, which are known to the State of California to cause cancer, birth defects, or other reproductive harm. For more information, go to [www.p65warnings.ca.gov](http://www.p65warnings.ca.gov).