

FRIGOS



Frigos Premium 4 Drawer
Refrigerated Chef Base
SKU: FGP-CB-7276

- ★ 15 cu. ft. interior capacity provides ample storage space
- ★ Accommodates up to 24 sixth-size pans
- ★ Top surface is capable of holding a remarkable 1084 lbs.
- ★ Constructed with stainless steel for durability
- ★ Mounted on (4) 6-inch casters
- ★ User-friendly digital temperature controller
- ★ Temperature range: 33°F to 41°F



Amps	2.3
Capacity (Cu Ft)	15
Caster Size (Inch)	6
Certifications	ETL Listed, ETL Sanitation
Color	Silver
Compressor Location	Right Side Mounted
Door Type	Solid
Horsepower (HP)	1/4
KW per 24h	2.59
Number of Drawers	4
Plug Type	Nema 5-15P
Refrigerant	R-134a
Shipping Weight (lbs)	730
Temperature Range	33°F to 41°F
Voltage	115/60/1
Weight (lbs)	655

Elevate your kitchen workspace with the Frigos Premium FGP-CB-7276, a 72" 4 Drawer Refrigerated Chef Base featuring a generous 76" Extended Top. This culinary powerhouse offers a substantial 15 cu ft capacity, ensuring you have ample storage space for ingredients while maintaining a precise temperature range of 33°F to 41°F. The solid door design and expansive extended top provide a versatile platform for meal prep and ingredient storage, making it an indispensable addition to professional kitchens.

Constructed with meticulous attention to detail, the Frigos Premium FGP-CB-7276 boasts four spacious drawers and a sleek stainless steel exterior, seamlessly blending practicality with sophistication. The 1/4 HP compressor, conveniently located on the right side, ensures dependable and consistent cooling performance. This chef base holds ETL Listed and ETL Sanitation certifications, meeting the highest standards for quality and hygiene in your kitchen. With 6-inch casters for easy mobility, you can maintain an organized and efficient workspace. The Frigos Premium FGP-CB-7276 offers an unparalleled culinary experience, keeping your ingredients at your fingertips in a clean and stylish kitchen environment.

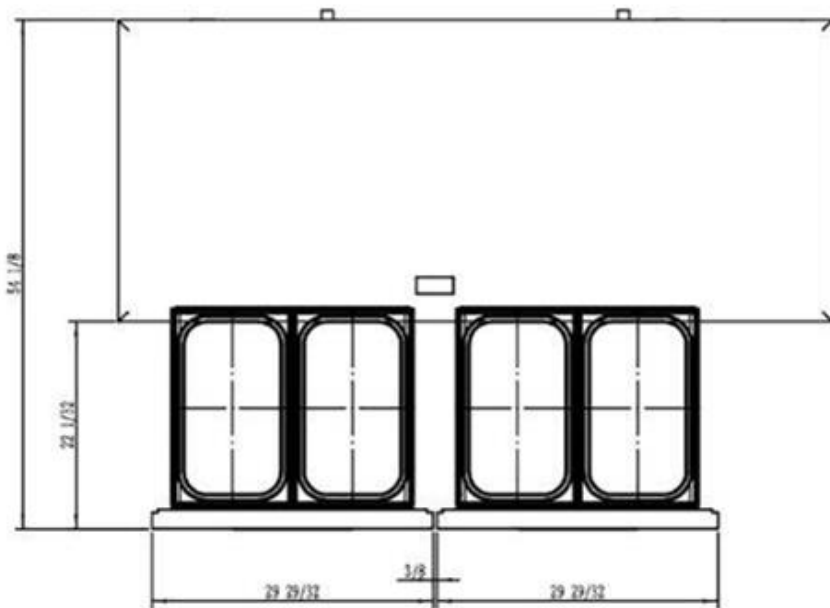
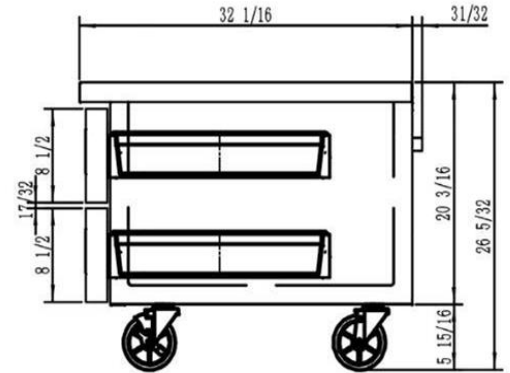
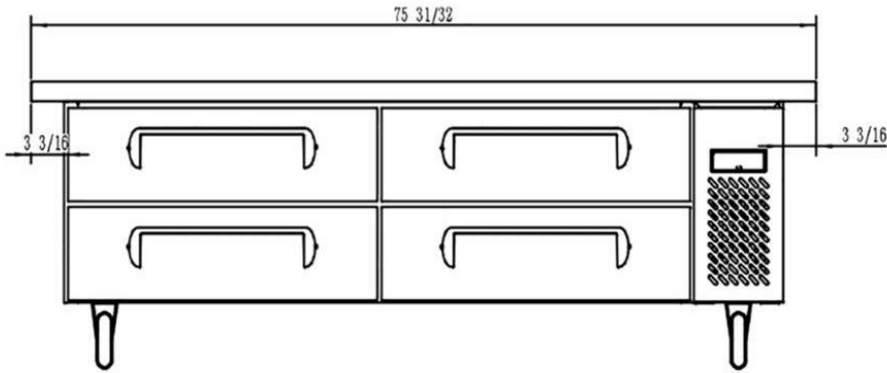
Item	Width (Inch)	Depth (Inch)	Height (Inch)	Material
Exterior	76	32	26.6	Stainless steel
Interior	57.5	25.6	16.7	Stainless steel



Kitchen Pro Restaurant Equipment: info@gokpe.com | www.kitchenproequipment.com | T. 1(800)603-0033

Note: Specifications subject to change without notice.

Plan View



Elevate your kitchen efficiency with the Frigos Premium FGP-CB-7276 Chef Base, featuring a 72" 4 Drawer Refrigerated design with a 76" Extended Top. With a 15 cu ft capacity, precise temperature control, and sleek stainless steel construction, it offers ample storage and versatile meal prep space, ensuring a sophisticated and efficient culinary environment.

Warning: This product can expose you to chemicals including lead, which are known to the State of California to cause cancer, birth defects, or other reproductive harm. For more information, go to www.p65warnings.ca.gov.