

FRIGOS



Frigos Premium 60.8" Refrigerated
Back Bar Glass Door Cabinet
SKU: FGP-BB-60G

- ★ 15.8 cu. ft. interior space
- ★ Capacity: Holds (756) 12-oz. cans or (456) 12-oz. bottles
- ★ Temperature holding range: 33°F to 38°F
- ★ Digital display for adjusting and monitoring temperature
- ★ Self-contained unit using R290 hydrocarbon refrigerant
- ★ Forced-air refrigeration with fans
- ★ Interior lights assist staff in locating specific items
- ★ Includes 4 shelves



Amps	6.4
Capacity (Cu Ft)	15.8
Color	Black
Compressor Location	Left Side Mounted
Door Self closed	Yes
Door Style	Swing
Door Type	Glass
Horsepower (HP)	1/3+
KW per 24h	2.2
Number of Doors	2
Number of Shelves	4
Plug Type	Nema 5-15P
Refrigerant	R-290
Shipping Weight (lbs)	421
Temperature Range	33°F to 38°F
Voltage	115/60/1
Weight (lbs)	276

Elevate your bar's beverage presentation with the Frigos Premium FGP-BB-60G, a 60.8" Refrigerated Back Bar Cabinet featuring (2) hinged glass doors and a generous 15.8 cu ft capacity. This stylish black powdered coated steel cabinet combines a sleek modern look with robust durability, making it the perfect addition to any bustling bar or beverage service area. With a temperature range of 33°F to 38°F, it ensures that your beverages are kept at the ideal serving temperature, delivering a refreshing and visually appealing drink presentation.

The (2) hinged glass doors offer a clear view of your beverage offerings and add an elegant touch to your bar setup. These self-closing doors promote energy efficiency and provide easy access for both customers and staff. The cabinet is equipped with four adjustable shelves, offering flexibility in organizing your beverage selection. The 1/3+ HP compressor, mounted on the left side, ensures efficient cooling performance while utilizing eco-friendly R290 refrigerant. Installation is straightforward with the Nema 5-15P plug type, and the stainless steel interior enhances both the unit's functionality and visual appeal. Make a statement with the Frigos Premium FGP-BB-60G, ensuring your customers enjoy perfectly chilled beverages in a stylish and inviting environment.

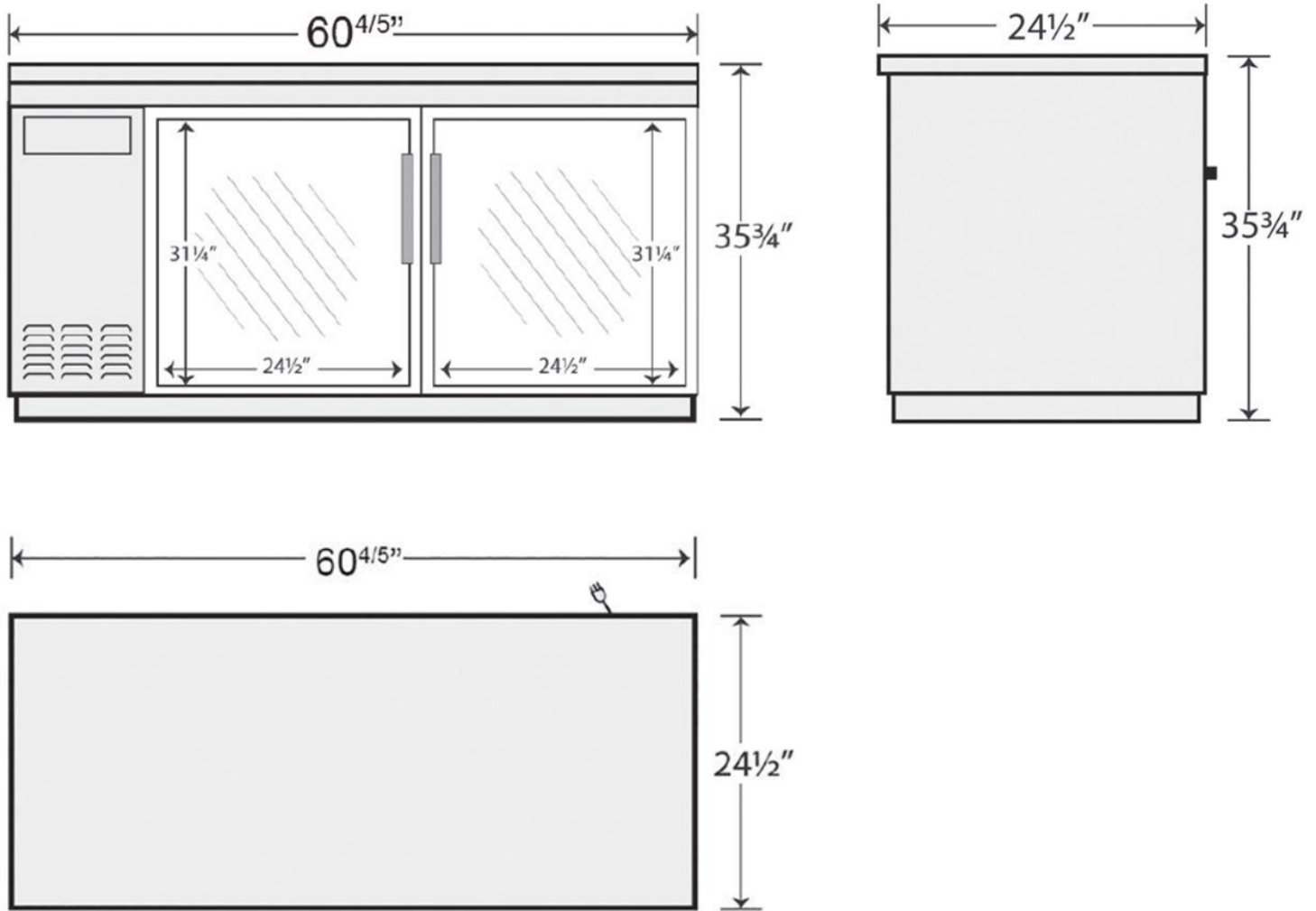
Item	Width (Inch)	Depth (Inch)	Height (Inch)	Material
Exterior	60.8	24.4	35.88	Black Powdered Coated Steel Exterior
Interior	48	20.13	31	Stainless steel



Kitchen Pro Restaurant Equipment: info@gokpe.com | www.kitchenproequipment.com | T. 1(800)603-0033

Note: Specifications subject to change without notice.

Plan View



Make a statement with the Frigos Premium FGP-BB-60G, ensuring your customers enjoy perfectly chilled beverages in a stylish and inviting environment. Elevate your bar's presentation with this modern and efficient Refrigerated Back Bar Cabinet.

Warning: This product can expose you to chemicals including lead, which are known to the State of California to cause cancer, birth defects, or other reproductive harm. For more information, go to www.p65warnings.ca.gov.