

FRIGOS



Frigos Premium 48.75" Refrigerated
Back Bar Solid Door Cabinet
SKU: FGP-BB-48

- ★ 11.8 cu. ft. interior space
- ★ Capacity: Holds (546) 12-oz. cans or (336) 12-oz. bottles
- ★ Temperature holding range: 33°F to 38°F
- ★ Digital display for adjusting and monitoring temperature
- ★ Self-contained unit using R290 hydrocarbon refrigerant
- ★ Forced-air refrigeration with fans
- ★ Interior lights assist staff in locating specific items
- ★ Includes 4 shelves



Amps	6.4
Capacity (Cu Ft)	11.8
Color	Black
Compressor Location	Left Side Mounted
Door Self closed	Yes
Door Style	Swing
Door Type	Solid
Horsepower (HP)	1/3+
KW per 24h	1.9
Number of Doors	2
Number of Shelves	4
Plug Type	Nema 5-15P
Refrigerant	R-290
Shipping Weight (lbs)	355
Temperature Range	33°F to 38°F
Voltage	115/60/1
Weight (lbs)	231

Introducing the Frigos Premium FGP-BB-48, a 48.75" Refrigerated Back Bar Cabinet with an ample 11.8 cu ft capacity, designed to enhance your beverage service area. This stylish cabinet comes in a sleek black powdered coated steel exterior, offering both durability and a modern aesthetic. With a temperature range of 33°F to 38°F, it keeps your beverages perfectly chilled, ensuring a refreshing experience for your customers.

Featuring two swing doors with self-closing mechanisms, the Frigos Premium FGP-BB-48 ensures energy efficiency and convenience. With four adjustable shelves, you have the flexibility to organize your beverages as needed. The 1/3+ HP compressor, mounted on the left side, guarantees efficient cooling performance while utilizing eco-friendly R290 refrigerant. Installation is a breeze with the Nema 5-15P plug type, and the stainless steel interior adds a touch of elegance to the functionality. Elevate your beverage service with the Frigos Premium FGP-BB-48, ensuring your customers enjoy their drinks in a clean, stylish, and perfectly chilled environment.

Item	Width (Inch)	Depth (Inch)	Height (Inch)	Material
Exterior	48.75	24.4	35.88	Black Powdered Coated Steel Exterior
Interior	36	20.13	31	Stainless steel

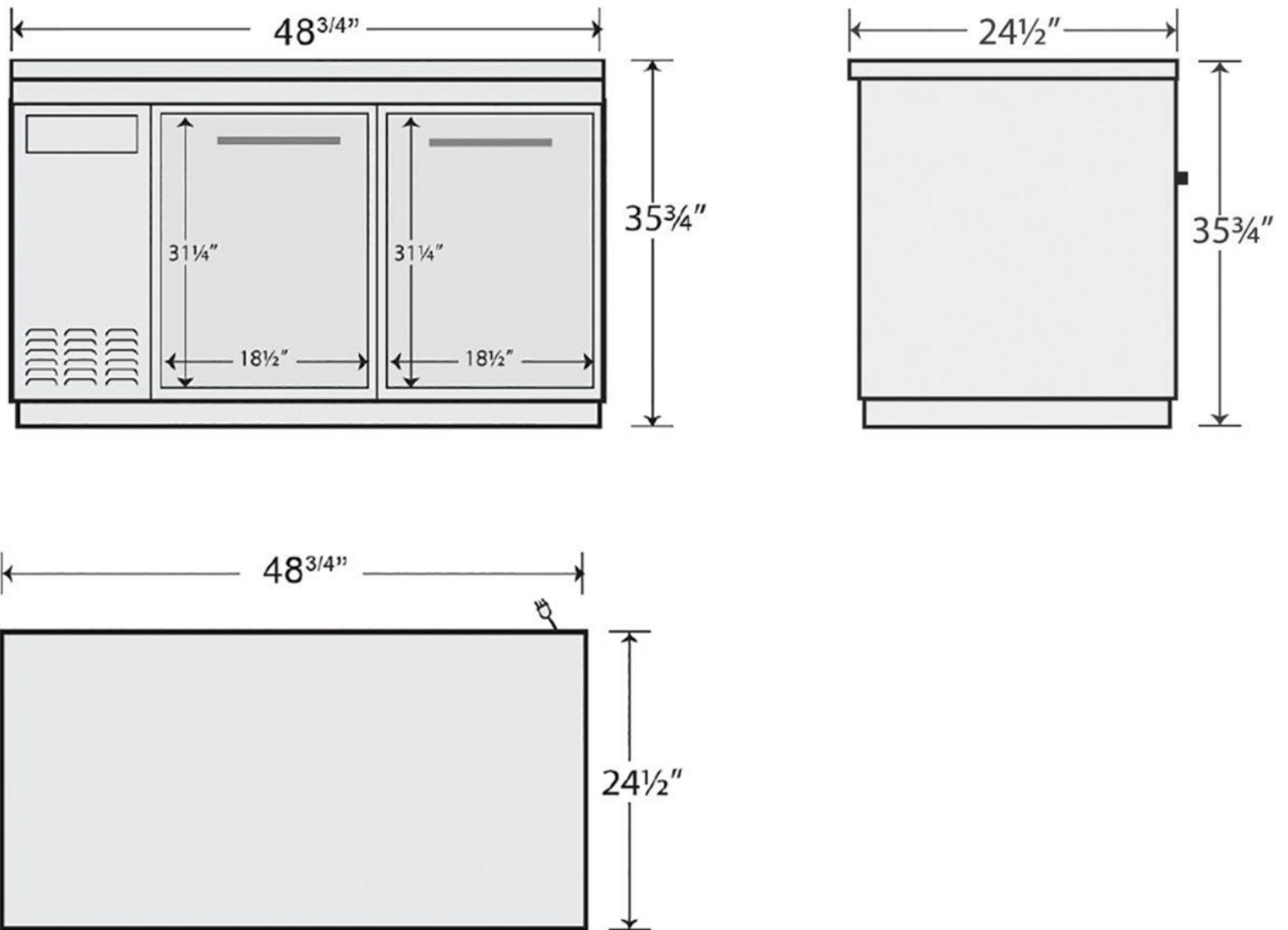


Kitchen Pro Restaurant Equipment: info@gokpe.com | www.kitchenproequipment.com | T. 1(800)603-0033

Note: Specifications subject to change without notice.

Not recommended for use in non-commercial or residential settings.

Plan View



Enhance your beverage service with the Frigos Premium FGP-BB-48, a 48.75" Refrigerated Back Bar Cabinet boasting an 11.8 cu ft capacity. With a sleek black exterior, temperature range of 33°F to 38°F, and self-closing swing doors, it ensures energy efficiency and convenience. The 1/3+ HP compressor and eco-friendly R-290 refrigerant guarantee efficient cooling, while the stainless steel interior adds an elegant touch. Elevate your customers' experience with this stylish and perfectly chilled beverage cabinet.

Warning: This product can expose you to chemicals including lead, which are known to the State of California to cause cancer, birth defects, or other reproductive harm. For more information, go to www.p65warnings.ca.gov.