

GAS COUNTERTOP HEAVY DUTY CHAR BROILERS

HDCB-1230G, HDCB-2430G, HDCB-3630G & HDCB-4830G



(HDCB-2430G Shown)

Wells Gas Countertop Heavy Duty Radiant Char Broilers are designed for use with either natural or LP gas. Char broilers are factory configured for natural gas and are field convertible to LP gas. Each burner has an adjustable air shutter to control primary air. Removable drip pan and burners provide easy clean-up.

Features

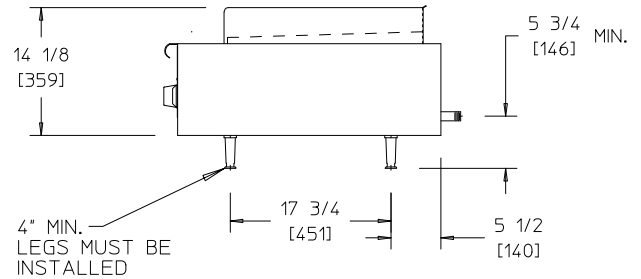
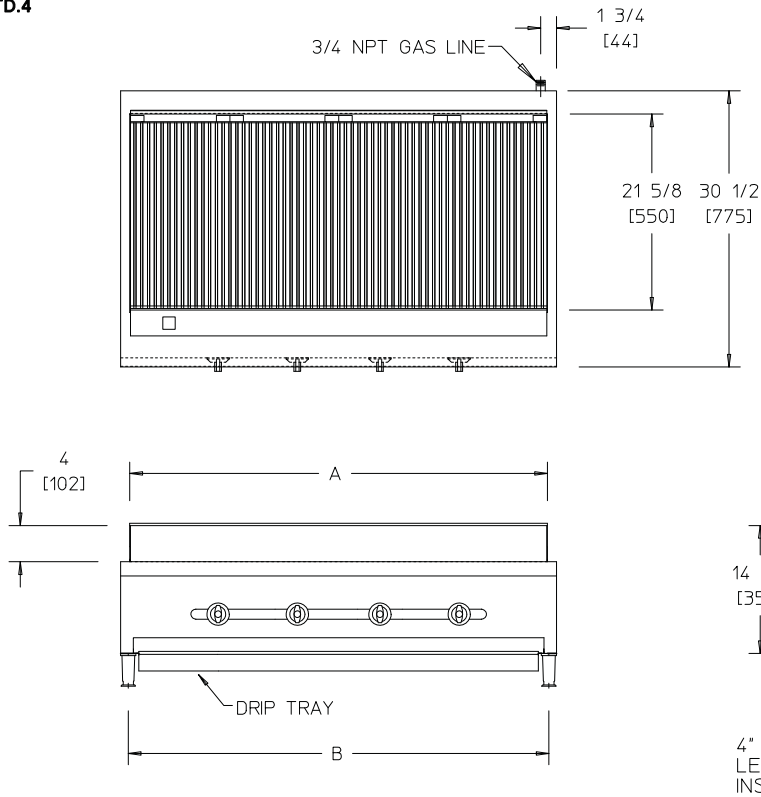
- Stainless steel housing with removable front panel to provide easy access to components.
- Durable cast iron burners that are ideal for commercial kitchens. Provide superior flame characteristics, faster heat-up, immediate turn-down and gentle true low heats.
- Reversible cast iron grates for flat or sloped use.
- Heavy duty cast iron radiants provide even heat and reduces flare ups.
- Each burner has an adjustable air shutter to control primary air and provide optimum combustion.
- Each burner has ON/OFF control valves that provide infinite heat adjustment.
- Heavy duty 4” steel legs.
- Meets ANSI Z83 and NSF International standards.
- One year warranty covers parts and labor.

Specifications

Overall Dimensions	Inches	MM
All Models:		
Depth	30 1/2	775
Height (incl. 4” legs)	18 1/8	461
Width:		
HDCB-1230G	14	366
HDCB-2430G	24	610
HDCB-3630G	36	914
HDCB-4830G	48	1220
Temperature Settings: OFF/LO to HI		
Number of burners: 2, 4, 6 or 8		
Weights		
HDCB-1230G Installed	126	57
Shipping	139	63
HDCB-2430G Installed	207	94
Shipping	293	133
HDCB-3630G Installed	298	135
Shipping	401	182
HDCB-4830G Installed	384	174
Shipping	514	233

Accessories/Options

20563 Legs, set of 4, 4” adjustable nickel plated alloy



DIMENSIONS: INCH
[MM]

NOTE: Specifications are subject to change without notice and are not intended for installation purposes. See installation instructions at www.wellsbloomfield.com prior to installing unit.

MODEL	BTU RATING		DIMENSION	
	NATURAL	L.P. GAS	A	B
HDCB-1230G	GAS 5" W.C. 40,000	10" W.C. 40,000 *	14" [366]	12 3/4 [324]
HDCB-2430G	80,000	80,000 *	24" [610]	22 3/4 [577]
HDCB-3630G	120,000	120,000 *	36" [914]	34 3/4" [882]
HDCB-4830G	160,000	160,000 *	48" [1220]	45 7/16" [1154]

*** PROPANE CONVERSION KIT INCLUDED WITH EACH CHARBROILER**

MINIMUM CLEARANCE FROM NON-COMBUSTIBLE SURFACES			
BACK	SIDE	BOTTOM	FRONT
0 [0]	0 [0]	4 [102]	0 [0]

Wells Bloomfield
2 Erik Circle, P.O. Box 280, Verdi, Nevada 89439 U.S.A.
U.S.A.: (775) 689-5700 · (888) 356-5362 · Main Fax (775) 689-5972
Canada: (877) 507-1700 · (905) 507-1700 · Fax (905) 507-1777
Export: (775) 689-5700 · Fax (775) 689-5975
www.wellsbloomfield.com
© 2007 Wells Bloomfield · Printed in the U.S.A.
07/07 · No. 307157 (-) ECN-

