

Refrigeration Equipment Merchandiser Freezer, 72 cu. ft, 3 Glass Door, black (R404a)

ITEM # _____

MODEL # _____

NAME # _____

SIS # _____

AIA # _____



738310 (KCHGM72F)

3-glass door merchandiser
freezer, black, 72 cubic feet,
R404a refrigerant gas, -9°F

Short Form Specification

Item No. _____

3-glass door freezer with exterior back and bottom panel in galvanized steel, exterior side, and top in painted steel; interior back, side top and bottom panels in 304 stainless steel.

Electronic control.

R404A gas in refrigeration circuit.

ETL Safety and Sanitation certified.

3/5 Years warranty.

Main Features

- External temperature display.
- Removable door gasket for easy cleaning operations.
- Fin & Tube Condenser improves performance in high temperature environments.
- Automatic Defrost Cooling System provides worry-free performance.
- Heavy duty Vinyl coated steel shelves.
- High efficiency components to minimize the energy consumption still guaranteeing the highest performances.
- Cabinet and door insulated with high density polyurethane for low environmental impact.
- Interior LED light to save energy and for best internal visibility.

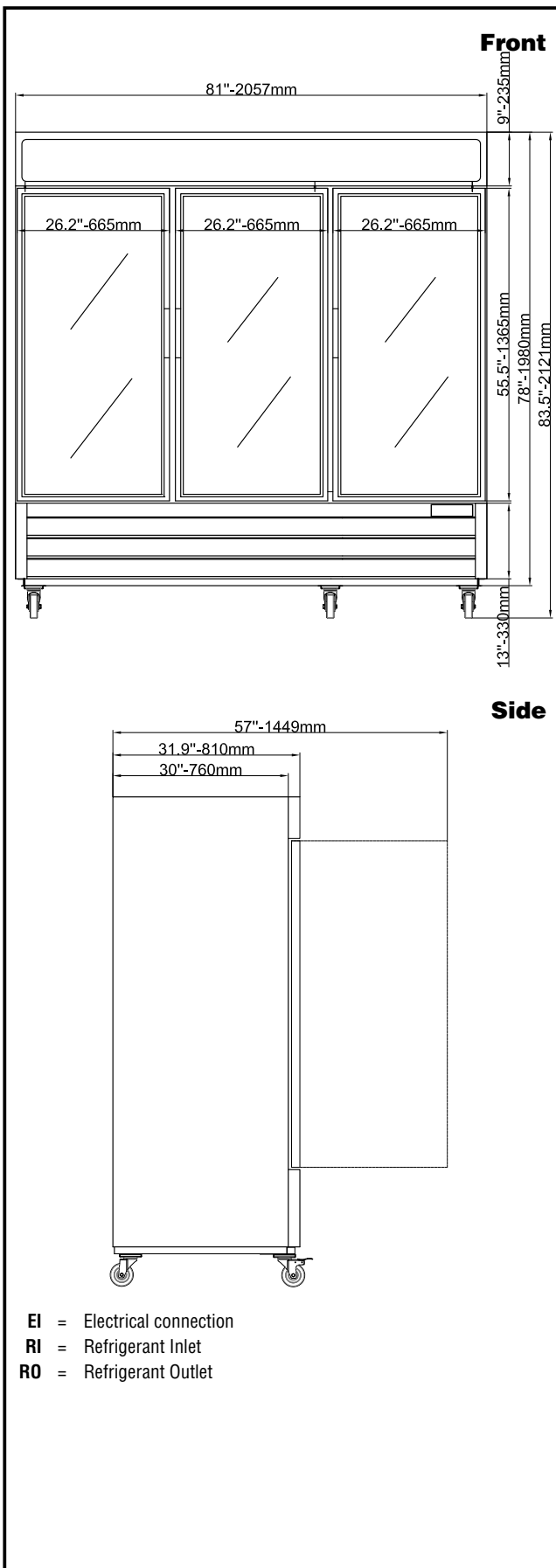
Construction

- Electronic control to select temperatures.
- Lockable door.
- Refrigerant type: R448a.
- Pre-wired heavy duty power cord.
- Heavy duty door hinges.
- Magnetic door gasket removable without tools for easy cleaning.

Optional Accessories

- shelf for 48" and 72" (left/right) merchandiser PNC 880594
- middle shelf for 72" merchandiser PNC 880595
- shelf clips PNC 880611

APPROVAL: _____



Electric

Supply voltage:	738310 (KCHGM72F)	220 V/1 ph/60 Hz
Electrical power, max:		1 kW
Current consumption:		1 Amps
Plug type:		USA NEMA L14-20P

Key Information:

Capacity (Cu. Ft.)	72
Door hinges:	Right Side
External dimensions, Width:	81 " (2057 mm)
External dimensions, Depth:	31 7/8" (810 mm)
External dimensions, Height:	83 1/2" (2121 mm)
Number and type of doors:	3 Glass
Internal Dimensions (depth):	62 1/64"
Internal Dimensions (height):	28 3/8"
Internal Dimensions (width):	25 3/16"
Shipping height:	85 13/16" (2180 mm)
Shipping weight:	820 lbs (372 kg)
Shipping volume:	142.86 ft ³ (4.05 m ³)
Number and type of grids (included):	12 - Vinyl-Coated Steel
Type of external material:	Black Prepainted Steel
Type of internal material:	White Prepainted Aluminium
Warranty:	3 / 5 years

Refrigeration Data

Compressor Horsepower:	3/4
Refrigerant type:	R404A
Refrigerant weight:	819 g
Operating temperature min.:	-7.6 °F
Operating temperature max.:	-4 °F
Condenser type:	Fin & tube
Defrost type:	Auto Defrost