

**Refrigeration Equipment
Merchandiser Refrigerator, 72
cu.ft - 3 Glass Door, black (R290)**

ITEM # _____

MODEL # _____

NAME # _____

SIS # _____

AIA # _____



738308 (KCHGM72R)

3-glass door merchandiser refrigerator, black, 72 cubic feet, R290 refrigerant gas, +33/+41°F

Short Form Specification

Item No. _____

3-glass door refrigeration with exterior back and bottom panel in galvanized steel, exterior side and top in painted steel; interior back, side top and bottom panels in 304 stainless steel.
Self-closing doors.

R290 gas in refrigeration circuit.
ETL Safety and Sanitation certified.
3/5 Years warranty.

Main Features

- External temperature display.
- High efficiency components to minimize the energy consumption still guaranteeing the highest performances.
- Cabinet and door insulated with high density polyurethane for low environmental impact.
- Interior LED light to save energy and for best internal visibility.

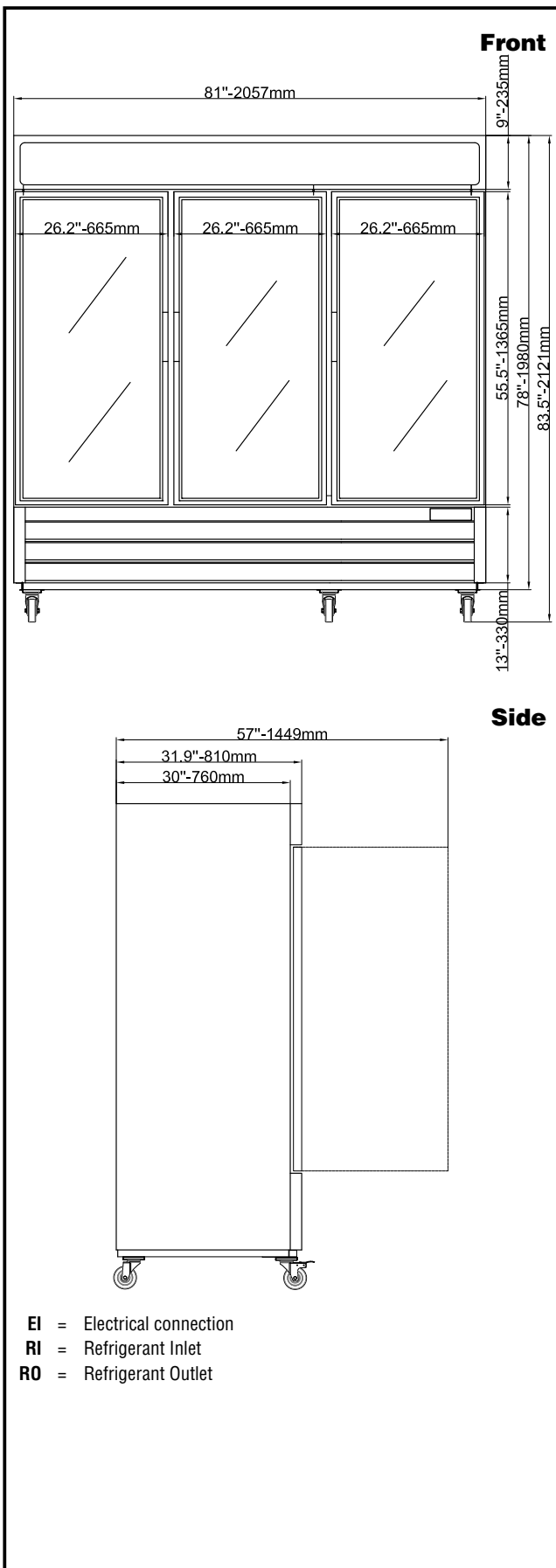
Construction

- Lockable door.
- Pre-wired heavy duty power cord.
- Heavy duty door hinges.
- Magnetic door gasket removable without tools for easy cleaning.

Optional Accessories

- shelf for 48" and 72" (left/right) merchandiser PNC 880594
- middle shelf for 72" merchandiser PNC 880595
- shelf clips PNC 880611

APPROVAL: _____



Electric

Supply voltage:	115 V/1 ph/60 Hz
738308 (KCHGM72R)	
Electrical power, max:	0.8 kW
Current consumption:	7.5 Amps
Plug type:	USA NEMA 5-15P

Key Information:

Capacity (Cu.Ft.)	72
Door hinges:	1 Left+1 Right
External dimensions, Width:	81 1/32" (2057 mm)
External dimensions, Depth:	31 7/8" (810 mm)
External dimensions, Height:	80 1/2" (2121 mm)
Number and type of doors:	3 Glass
Internal Dimensions (depth):	61 15/16"
Internal Dimensions (height):	28 3/8"
Internal Dimensions (width):	50 "
Number and type of grids (included):	12 - Vinyl-Coated Steel
Shipping height:	84 5/8" (2180 mm)
Shipping weight:	732 lbs (332 kg)
Shipping volume:	140.89 ft ³ (3.99 m ³)
Type of external material:	Black Prepainted Steel
Type of internal material:	White Prepainted Aluminium
Warranty:	3 / 5 years

Refrigeration Data

Compressor Horsepower:	1/5
Refrigerant type:	R290
Refrigerant weight:	150 g
Operating temperature min.:	32 °F
Operating temperature max.:	41 °F
Condenser type:	Fin & tube
Defrost type:	Auto Defrost