

## Refrigeration Equipment Milk Cooler, 34" (R290)

ITEM # \_\_\_\_\_

MODEL # \_\_\_\_\_

NAME # \_\_\_\_\_

SIS # \_\_\_\_\_

AIA # \_\_\_\_\_



738275 (KCHMC34)

School milk crate cooler, 34",  
R290 refrigerant  
gas, +33/+41°C

### Short Form Specification

**Item No.** \_\_\_\_\_

School milk cooler with exterior back panel in white-painted steel, bottom panel in galvanized steel, exterior side panels in white-painted steel and top in 430 stainless steel; interior back and side panels in 430 stainless steel, interior bottom in 304 stainless steel. Interior drain and electronic temperature control.  
Heavy duty locking casters, removable door gasket, lid and key to protect the unit.

R290 gas in the refrigeration circuit.  
ETL Safety and Sanitation certified.  
3/5 Years warranty.

### Main Features

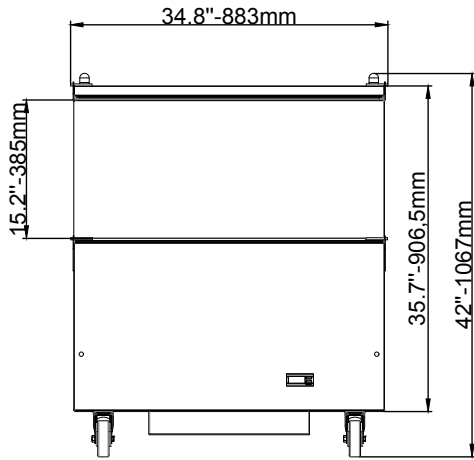
- External temperature display.
- Removable door gasket for easy cleaning operations.
- Hydrocarbon refrigerant gas R290 for the lowest environmental impact (GWP=3) - CFC and HCFC free.
- Electronic Temperature Control, quick and simple to set, with control display for easy monitoring.
- High efficiency components to minimize the energy consumption still guaranteeing the highest performances.
- Cabinet and door insulated with high density polyurethane for low environmental impact.
- CFC and HCFC free, highly ecological refrigerant type: R290 (ecological gas in foam: cyclopentane). Hydrocarbon refrigerant gas R290 for the lowest environmental impact (GWP=3), to reduce green house and ozone depletion effects.

### Construction

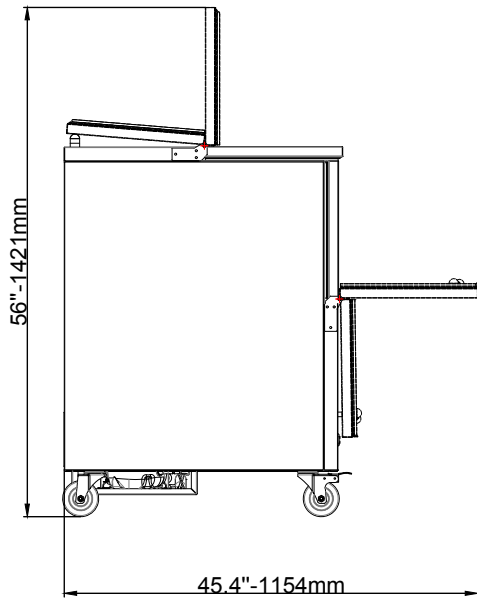
- Heavy-duty, locking casters keeps the unit in place but allow position adjusting.
- Locking lid to protect contents of the unit.
- Internal drain for easy clean out.
- Pre-wired heavy duty power cord.
- Cold Wall evaporator.

APPROVAL: \_\_\_\_\_

**Front**

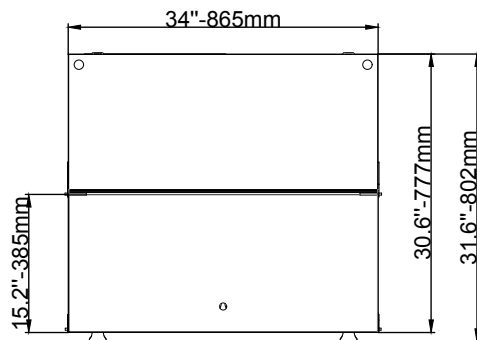


**Side**



EI = Electrical connection  
RI = Refrigerant Inlet  
RO = Refrigerant Outlet

**Top**



## Electric

Supply voltage:	738275 (KCHMC34)	115 V/1 ph/60 Hz
Electrical power, max:		0.2 kW
Current consumption:		2 Amps
Plug type:		USA NEMA 5-15P

## Capacity:

Gross capacity:	13.2 cu.feet
-----------------	--------------

## Key Information:

External dimensions, Width:	34 1/32" (883 mm)
External dimensions, Depth:	30 9/16" (802 mm)
External dimensions, Height:	42 1/64" (1067 mm)
Internal Dimensions (depth):	25 13/16"
Internal Dimensions (height):	27"
Internal Dimensions (width):	30 7/8"
Shipping height:	48 5/8" (1235 mm)
Shipping weight:	225 lbs (102 kg)
Shipping volume:	32.54 ft <sup>3</sup> (0.92 m <sup>3</sup> )
Type of external material:	Prepainted white
Type of internal material:	Stainless Steel
Warranty:	3 / 5 years

## Refrigeration Data

Compressor Horsepower:	1/5
Refrigerant type:	R290
Refrigerant weight:	90 g
Operating temperature min.:	35.6 °F
Operating temperature max.:	37.4 °F
Condenser type:	Fin & tube