



# REFRIGERATION

SERVING THE FOOD INDUSTRY SINCE 1951

## 78-INCH 3-DOOR SWING GLASS REFRIGERATOR

Item: 50052 Model: RE-CN-0052-HC



**THE PERFECT SOLUTION  
TO EXHIBIT COLD MERCHANDISE**

Omcan's 78-inch 3-door swing glass refrigerator is perfect for your products, with the outside material made from painted steel. Its crystal clear, self closing door is perfect to see the products inside. It also features automatic defrosting and high density polyurethane insulation.



**WARRANTY**

2 YEARS PARTS & LABOR  
5 YEARS ONLY ON COMPRESSOR

NEMA  
5 - 20R  
125 VAC / 20 AMP  
RECEPTACLE



 SHIPPED ON PALLET



Authorized Dealer

# REFRIGERATION

78-INCH 3-DOOR SWING GLASS REFRIGERATOR 50052



## TECHNICAL SPECIFICATION

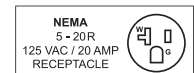
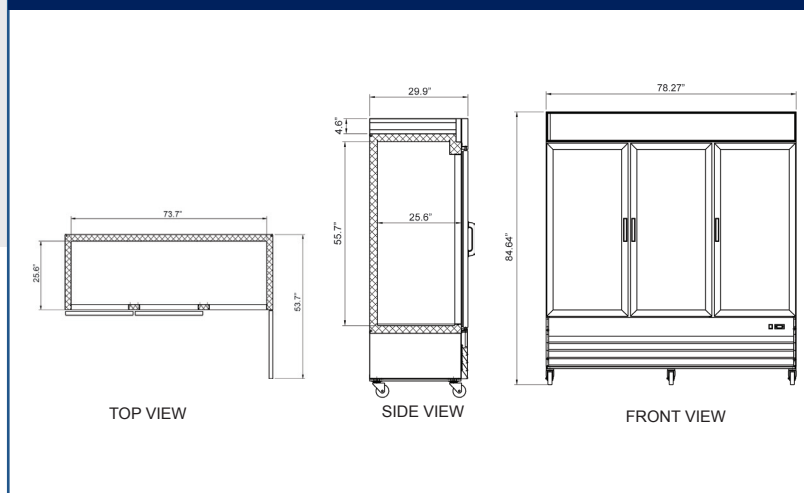
ITEM NUMBER	50052
MODEL	RE-CN-0052-HC
DESCRIPTION	3-Door Swing Glass Refrigerator
TEMPERATURE RANGE	0.5°C - 5°C / 33°F - 41°F
MAX AMBIENT TEMP RATING	90°F
POWER	3/4 HP
PHASE	1
ELECTRICAL	110 V / 60 Hz
AMPS	10.7
REFRIGERANT	R290
COOLING SYSTEM	Ventilated
NUMBER OF DOORS	3
NUMBER OF SHELVES	12
SHELF CAPACITY	90 lbs. / 41 kg.
EXTERIOR DIMENSIONS (WDH)	78.27" x 29.9" x 84.64" 1988 x 759 x 2150 mm
INTERIOR DIMENSIONS (WDH)	73.7" x 25.6" x 55.7" 1872 x 650 x 1415 mm
PACKAGING DIMENSIONS	80" x 33" x 87" 2032 x 838.2 x 2209.8 mm
NET VOLUME	53 cu. ft.
NET WEIGHT	615 lbs. / 279 kg.
GROSS WEIGHT	681 lbs. / 309 kg.



## Features:

- Outside material: Painted steel
- Self-closing doors
- Plastic coated steel shelves with shelf tag holder
- Automatic defrosting
- Polyurethane insulation
- Removable door gasket
- Shelf Capacity: 90 lbs. / 41 kg.
- Temperature range: 0.5°C - 5°C / 33°F - 41°F

## TECHNICAL DRAWING AND DIMENSIONS



## OMCAN INC.

Telephone: 1-800-465-0234

Fax: (905) 607-0234

Email: sales@omcan.com

Website: www.omcan.com



Follow us to keep up to date with the latest news and offers



2015.E.O.E