



FOOD EQUIPMENT

SERVING THE FOOD INDUSTRY SINCE 1951

STAINLESS STEEL FLOOR MODEL REVERSIBLE DOUGH SHEETER

Item: 44135 Model: BE-CN-2083-FSS

EFFICIENT EQUIPMENT PERFECT FOR YOUR BAKERY

Suitable for bakeries, restaurants, and hotels, Omcan's dough sheeter is designed for optimal performance. Equipped with safety features, preset roller thickness controls, and foldable tables for space saving storage, this machine increases your bakery's production and efficiency. Safe to operate and easy to clean.



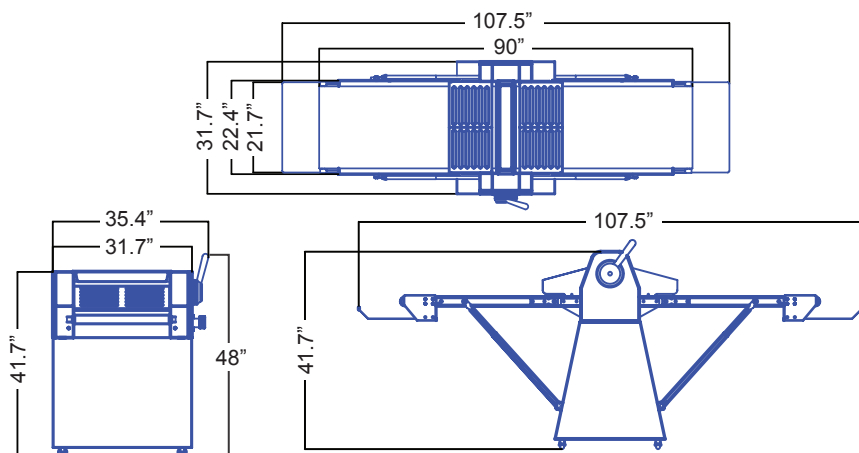
WARRANTY
PARTS AND LABOR



Authorized Dealer

FOOD EQUIPMENT

STAINLESS STEEL FLOOR MODEL REVERSIBLE DOUGH SHEETER



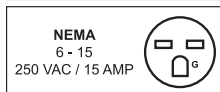
FEATURES

- Made of high quality stainless steel; ideal use for long period of time
- Fixed conveyor speed
- Roller adjustments are manual
- Suitable for bakeries, restaurants, and hotels
- Equipped with preset roller thickness control, foldable tables for space-saving storage and retractable end tables
- Safety features: safety guards, emergency stop switch, thermal overload device



TECHNICAL SPECIFICATION

ITEM NUMBER	44135	CONVEYER WIDTH	22.5" / 571.5 mm
MODEL	BE-CN-2083-FSS	CONVEYER BELT SPEED	18m/min - 32m/min
DESCRIPTION	Floor model dough sheeter, stainless steel	ROLLER SPEED	124r/min
ELECTRICAL	220 V / 60 Hz / 1 Ph	MAXIMUM DOUGH CAPACITY	5 kg. / 11 lbs.
POWER	0.75 HP / 0.55 kW	WORKING POSITION DIMENSION (DWH)	31.7" x 107.5" x 41.7" / 805 x 2730 x 1060 mm
ROLLER SIZE	3.5" / 88mm (Dia.), 20.5" / 520mm (W)	RESTING POSITION DIMENSION (WH)	26" x 63" / 660 x 1600 mm
ROLLER ADJUSTABLE GAP	1-1.4" / 1 - 35 mm	WEIGHT	419lbs. / 190 kg.
CONVEYER BELT WIDTH	19.75" / 501.7 mm	GROSS WEIGHT	512 lbs. / 232 kg.
		GROSS DIMENSION	37" x 29" x 66" / 940 x 737 x 1676 mm



OMCAN INC.

Telephone: 1-800-465-0234
 Fax: (905) 607-0234
 Email: sales@omcan.com
 Website: www.omcan.com



Follow us to keep up to date with the latest news and offers

