



COOKING EQUIPMENT

SERVING THE FOOD INDUSTRY SINCE 1951

COUNTERTOP STAINLESS STEEL GAS CHAR-BROILER

Item: 43736
Model: CE-CN-CBR15

Item: 43727
Model: CE-CN-CBR24

Item: 43728
Model: CE-CN-CBR36

Item: 43729
Model: CE-CN-CBR48

These Omcan Broilers are ideal for cooking steaks, chops, hamburgers and seafood. These units are sturdy and reliable option for the increasing demand of char grilled food.

OMCAN GAS EQUIPMENT SERIES

answers the needs of modern, busy catering establishments for reliable, well-built equipment that offers flexibility, performance, style and value for money. Omcan gas equipment has been designed with safety, ease of operation and performance as paramount. Omcan has a stylish and robust modular design, constructed of high quality brushed stainless steel, large "cool to touch" dials, large heavy-duty adjustable feet and easy to clean and remove accessories.



Authorized Dealer



LIMITED WARRANTY
PARTS AND LABOR



COUNTERTOP STAINLESS STEEL GAS CHAR-BROILER

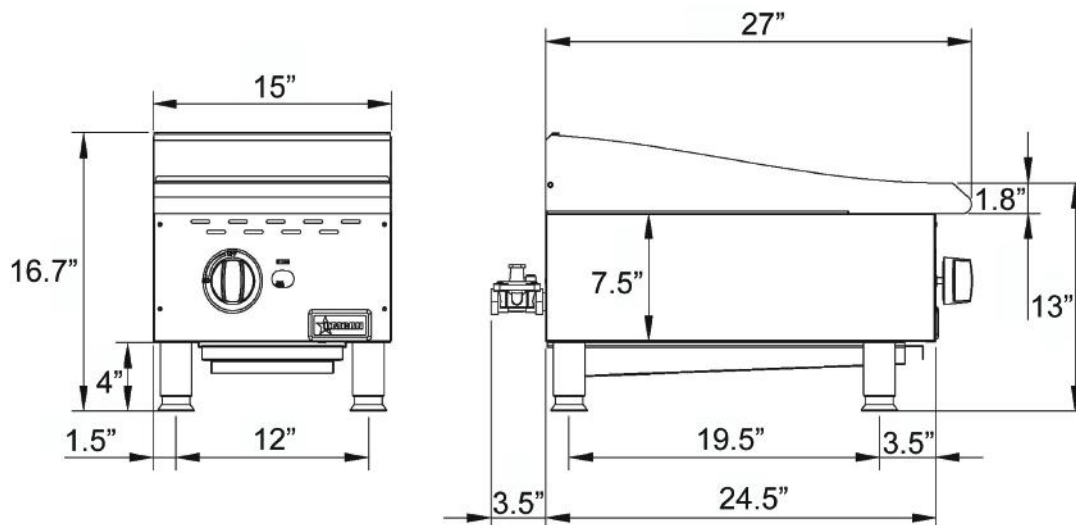
With 1 Burner



- Stainless steel construction and finish
- Heavy-duty cast iron grilling grates
- Manually controlled independent cooking zones
- Large and robust dial controls
- Stainless steel burners
- Burner manual valves
- Removable full width waste tray
- Heavy-duty adjustable feet
- 3/4" rear gas connection
- Propane conversion kit (42964) included

TECHNICAL SPECIFICATION	
ITEM NUMBER	43736
MODEL	CE-CN-CBR15
NUMBER OF BURNERS	1 Burner
B.T.U.	40,000
COOKING AREA (WD)	15" x 20" / 380 x 510 mm
*GAS TYPE	Natural Gas
DIMENSION (WDH)	15" x 30.3" x 16.7" / 380 x 770 x 425 mm
PACKAGING DIMENSIONS (WDH)	17" x 30" x 18.5" / 430 x 760 x 470 mm
WEIGHT	88 lbs/ 40.10 kg
PACKAGING WEIGHT	110.5 lbs/ 51.10 kg

TECHNICAL DRAWING & DIMENSIONS



Gas conversion to be completed by an approved gas field technician

OMCAN INC.

Telephone: 1-800-465-0234
 Fax: (905) 607-0234
 Email: sales@omcan.com
 Website: www.omcan.com



Follow us to keep up to date with the latest news and offers



COUNTERTOP STAINLESS STEEL GAS CHAR-BROILER

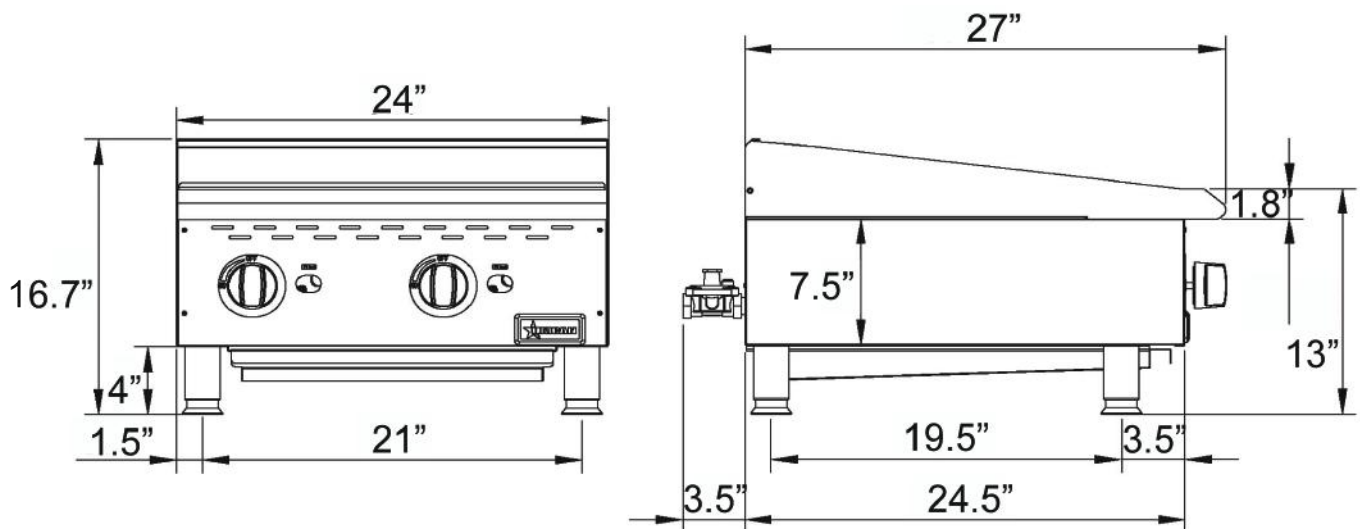
With 2 Burners



- Stainless steel construction and finish
- Heavy-duty cast iron grilling grates
- Manually controlled independent cooking zones
- Large and robust dial controls
- Stainless steel burners
- Burner manual valves
- Removable full width waste tray
- Heavy-duty adjustable feet
- 3/4" rear gas connection
- Propane conversion kit (42965) included

TECHNICAL SPECIFICATION	
ITEM NUMBER	43727
MODEL	CE-CN-CBR24
NUMBER OF BURNERS	2 Burners
B.T.U.	80,000
COOKING AREA (WD)	24" x 20" / 610 x 510 mm
*GAS TYPE	Natural Gas
DIMENSION (WDH)	24" x 30.3" x 16.7" / 610 x 770 x 425 mm
PACKAGING DIMENSIONS (WDH)	26" x 30" x 18.5" / 660 x 760 x 470 mm
WEIGHT	137 lbs / 62.05 kg
PACKAGING WEIGHT	176 lbs / 79.80 kg

TECHNICAL DRAWING & DIMENSIONS



Gas conversion to be completed by an approved gas field technician

OMCAN INC.

Telephone: 1-800-465-0234
 Fax: (905) 607-0234
 Email: sales@omcan.com
 Website: www.omcan.com



Follow us to keep up to date with the latest news and offers



COUNTERTOP STAINLESS STEEL GAS CHAR-BROILER

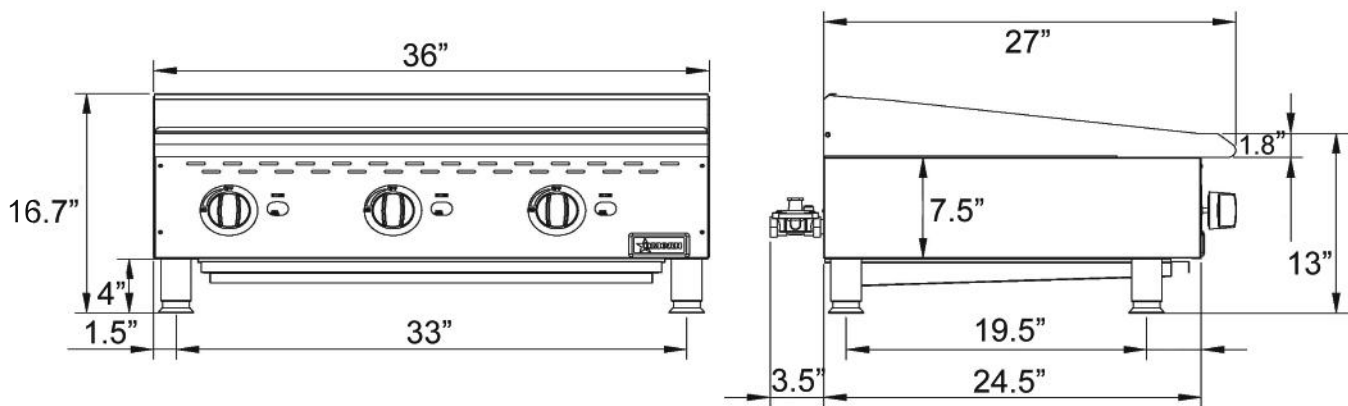
With 3 Burners



- Stainless steel construction and finish
- Heavy-duty cast iron grilling grates
- Manually controlled independent cooking zones
- Large and robust dial controls
- Stainless steel burners
- Burner manual valves
- Removable full width waste tray
- Heavy-duty adjustable feet
- 3/4" rear gas connection
- Propane conversion kit (42966) included

TECHNICAL SPECIFICATION	
ITEM NUMBER	43728
MODEL	CE-CN-CBR36
NUMBER OF BURNERS	3 Burners
B.T.U.	120,000
COOKING AREA (WD)	36" x 20" / 915 x 510 mm
*GAS TYPE	Natural Gas
DIMENSION (WDH)	36" x 30.3" x 16.7" / 915 x 770 x 425 mm
PACKAGING DIMENSIONS (WDH)	38" x 30" x 18.5" / 965 x 760 x 470 mm
WEIGHT	199.6 lbs/ 90.55 kg
PACKAGING WEIGHT	262 lbs/ 119.00 kg

TECHNICAL DRAWING & DIMENSIONS



Gas conversion to be completed by an approved gas field technician

OMCAN INC.

Telephone: 1-800-465-0234
 Fax: (905) 607-0234
 Email: sales@omcan.com
 Website: www.omcan.com



Follow us to keep up to date with the latest news and offers



COUNTERTOP STAINLESS STEEL GAS CHAR-BROILER

With 4 Burners

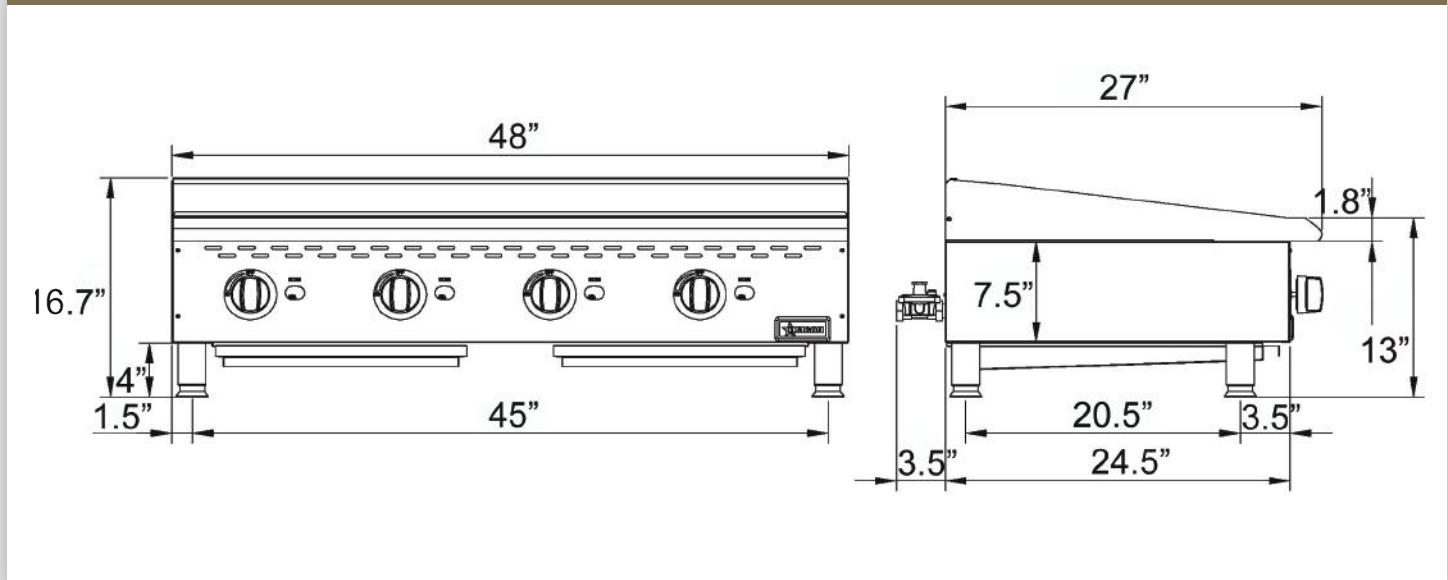


- Stainless steel construction and finish
- Heavy-duty cast iron grilling grates
- Manually controlled independent cooking zones
- Large and robust dial controls
- Stainless steel burners
- Burner manual valves
- Removable full width waste tray
- Heavy-duty adjustable feet
- 3/4" rear gas connection
- Propane conversion kit (42967) included

TECHNICAL SPECIFICATION

ITEM NUMBER	43729
MODEL	CE-CN-CBR48
NUMBER OF BURNERS	4 Burners
B.T.U.	160,000
COOKING AREA (WD)	48" x 20" / 1220 x 510 mm
*GAS TYPE	Natural Gas
DIMENSION (WDH)	48" x 30.3" x 16.7" / 1220 x 770 x 425 mm
PACKAGING DIMENSIONS (WDH)	50" x 30" x 18.5" / 1270 x 760 x 470 mm
WEIGHT	260 lbs / 117.9 kg
PACKAGING WEIGHT	316 lbs / 143.25 kg

TECHNICAL DRAWING & DIMENSIONS



Gas conversion to be completed by an approved gas field technician

OMCAN INC.

Telephone: 1-800-465-0234

Fax: (905) 607-0234

Email: sales@omcan.com

Website: www.omcan.com



Follow us to keep up to date with the latest news and offers

