



# REFRIGERATION

SERVING THE FOOD INDUSTRY SINCE 1951

## 79-INCH ICE CREAM DIPPING CABINET

Item: 37815 Model: FR-CN-2007

*Omcan's FR-CN-2007 Ice Cream Freezer is designed to merchandise and provide increased sales of frozen novelties and seasonal specialties.*

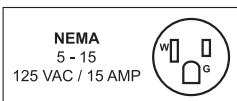


37815 with serial batch number BEFORE S.91424113998000001

37815 with serial batch number AFTER S.91424113998000001

### FEATURES

- Manufactured with 24 cubic feet capacity for maximizing storage
- Comes with four two-inch casters for mobility (2 locking)
- Designed with two sliding doors with curved top glass for easy access
- Exterior is made of white painted steel with gray plastic trim
- Built-in lock for security
- Steel interior walls
- Plastics trim and door frames
- Wire baskets included
- Conveniently located rear defrost drain



Authorized Dealer

# REFRIGERATION

79-INCH ICE CREAM DISPLAY FREEZER FR-CN-2007 / 37815



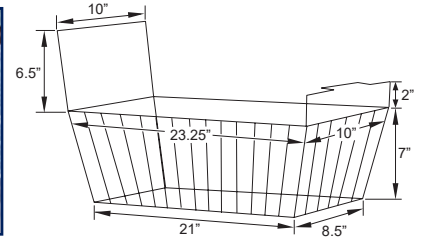
## TECHNICAL SPECIFICATION

ITEM NUMBER	37815
MODEL	FR-CN-2007
POWER	0.65 kW
FREEZER CAPACITY	700 L / 24.72 cu. ft.
DOORS	2
NUMBER OF BASKETS	SEE BASKETS
TEMPERATURE RANGE	≤ -18°C / ≤ -0.4°F
REFRIGERANT	R290
ELECTRICAL	110 V / 60 Hz / 1 Ph
WEIGHT	120 kg / 264.5 lbs.
PACKAGING WEIGHT	140 kg / 308.5 lbs.
DIMENSIONS (WDH)	78.74" x 29.75" x 32.25"   2000 x 756 x 819 mm
PACKAGING DIMENSIONS	81" x 32" x 37"   2057 x 813 x 940 mm

## REPLACEMENT BASKET AND BASKET DIVIDER

Replacement Baskets and Divider for Item 37815 with units serial batch number BEFORE S 91424113998000001

ITEM NUMBER: 28456 (fits 7 baskets)  
VOLUME: 0.85 cu.ft.

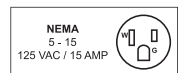
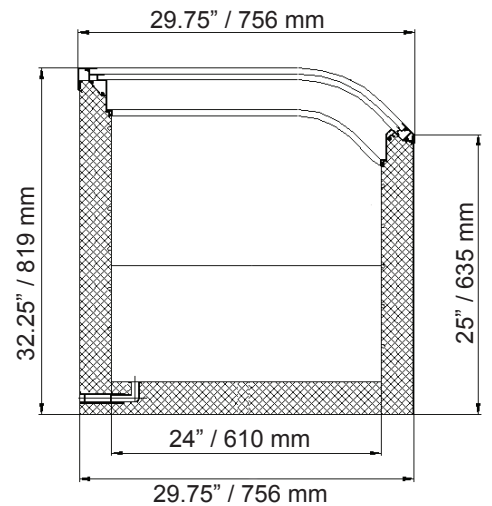
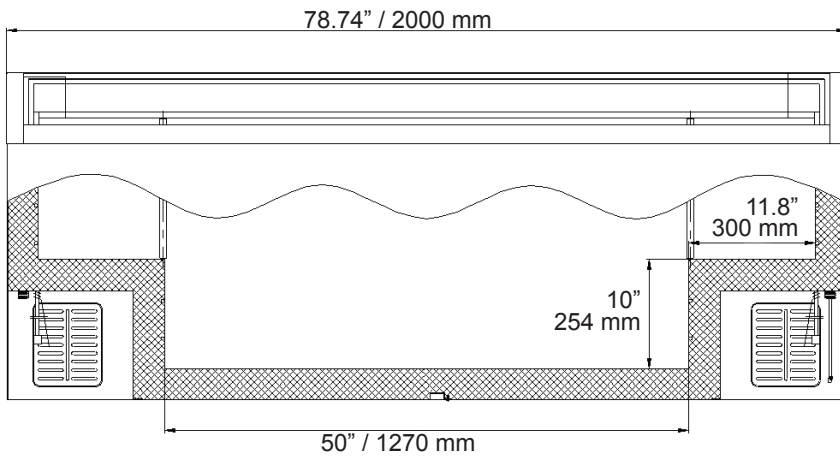


ITEM NUMBER: 43412  
DESCRIPTION: Basket Divider for item 28456



## TECHNICAL DRAWING AND DIMENSIONS

Item 37815 with serial batch number BEFORE S 91424113998000001



**OMCAN INC.**

Telephone: 1-800-465-0234  
Fax: (905) 607-0234  
Email: sales@omcan.com  
Website: www.omcan.com



Follow us to keep up to date with the latest news and offers



2015.E.O.E

# REFRIGERATION

79-INCH ICE CREAM DISPLAY FREEZER FR-CN-2007 / 37815



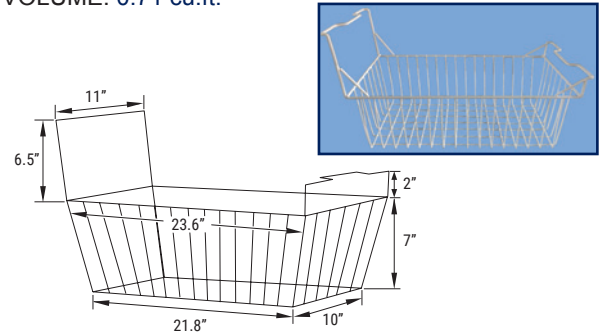
## TECHNICAL SPECIFICATION

ITEM NUMBER	37815
MODEL	FR-CN-2007
POWER	0.65 kW
FREEZER CAPACITY	700 L / 24.72 cu. ft.
DOORS	2
NUMBER OF BASKETS	SEE BASKETS
TEMPERATURE RANGE	≤ -18°C / ≤ -0.4°F
REFRIGERANT	R290
ELECTRICAL	110 V / 60 Hz / 1 Ph
WEIGHT	120 kg / 264.5 lbs.
PACKAGING WEIGHT	140 kg / 308.5 lbs.
DIMENSIONS (WDH)	78.74" x 29.6" x 30.6"   2000 x 752 x 778 mm
PACKAGING DIMENSIONS	81" x 32" x 37"   2057 x 813 x 940 mm

## REPLACEMENT BASKET AND BASKET DIVIDER

Replacement Baskets and Divider for Item 37815 with units serial batch number AFTER S 91424113998000001

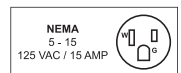
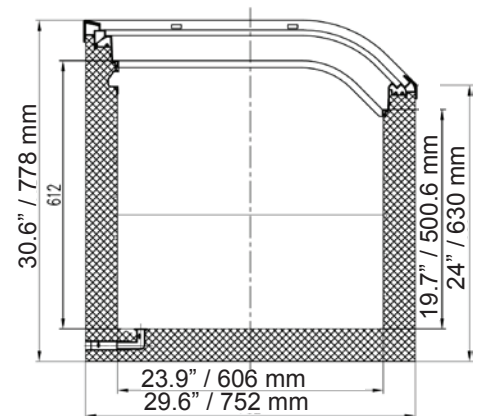
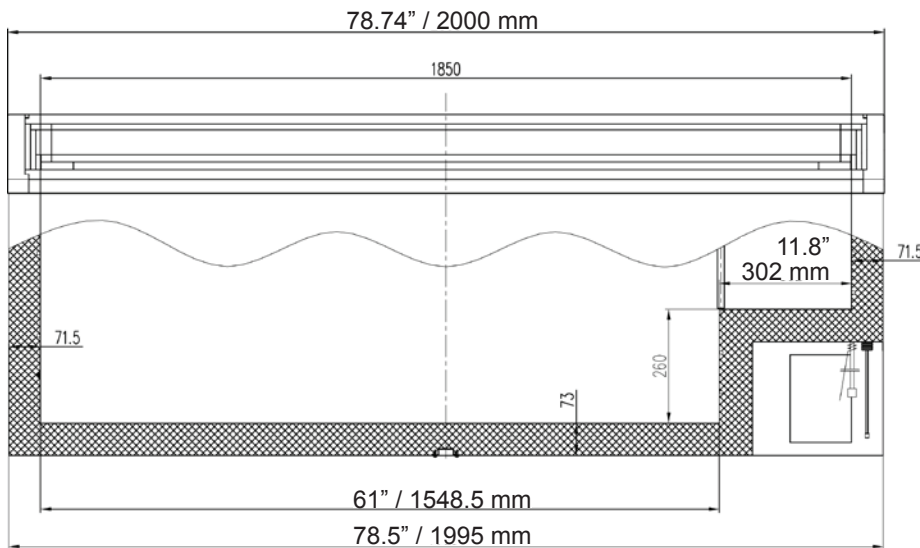
ITEM NUMBER: 76695 (fits 6 baskets)  
VOLUME: 0.71 cu.ft.



ITEM NUMBER: 60318  
DESCRIPTION: Basket Divider for item 76695

## TECHNICAL DRAWING AND DIMENSIONS

Item 37815 with serial batch number AFTER S 91424113998000001



**OMCAN INC.**

Telephone: 1-800-465-0234

Fax: (905) 607-0234

Email: sales@omcan.com

Website: www.omcan.com



Follow us to keep up to date with the latest news and offers



2015.E.O.E