



REFRIGERATION

SERVING THE FOOD INDUSTRY SINCE 1951

26-INCH ICE CREAM DISPLAY CHEST FREEZER

Item: 31455 Model: FR-CN-0667



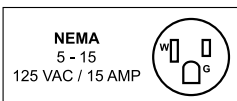
Omcan's FR-CN-0667 Ice Cream Freezer is designed to merchandise and provide increased sales of frozen novelties and seasonal specialties.

FEATURES

- Manufactured with up to 5.6 cubic feet capacity for maximizing storage
- Comes with four two-inch casters for mobility (2 locking)
- Designed with sliding doors with curved top glass and locks
- Exterior is made of white painted steel with gray plastic trim
- Built-in lock for security
- Plastics trim and door frames
- Steel interior walls
- Conveniently located rear defrost drain
- Two wire baskets included



WARRANTY
PARTS AND LABOR



Authorized Dealer

REFRIGERATION

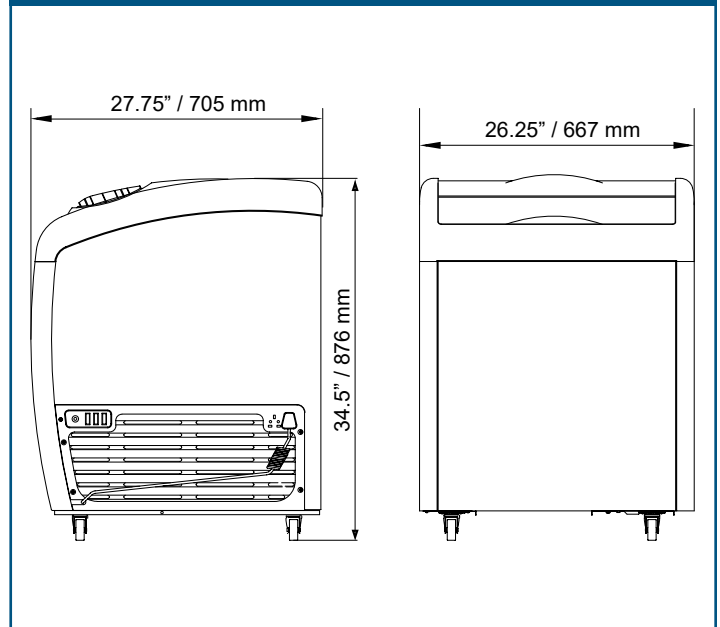
26-INCH ICE CREAM DISPLAY CHEST FREEZER



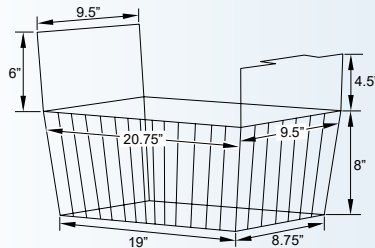
TECHNICAL SPECIFICATION

ITEM NUMBER	31455
MODEL	FR-CN-0667
POWER	0.345 kW
FREEZER CAPACITY	160 L / 5.6 cu. ft
DOORS	2 (slides up and down)
NUMBER OF BASKETS	2
TEMPERATURE RANGE	-26°C to 6°C / -15°F to 43°F
REFRIGERANT	R290
ELECTRICAL	110 V / 60 Hz / 1 Ph
WEIGHT	46 kg / 101.5 lbs.
PACKAGING WEIGHT	56 kg / 123.5 lbs.
DIMENSIONS (WDH)	26.25" x 27.75" x 34.5" 667 x 705 x 876 mm
PACKAGING DIMENSIONS	29" x 30" x 37.5" 736.6 x 762 x 952.5 mm

TECHNICAL DRAWING AND DIMENSIONS



REPLACEMENT BASKET

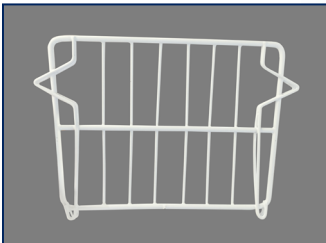


ITEM NUMBER: 31440

DESCRIPTION: Replacement basket for item 31455

VOLUME: 1330 cu. in

BASKET DIVIDER

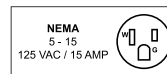


ITEM NUMBER: 43413

DESCRIPTION: Basket Divider for item 31455



WARRANTY
PARTS AND LABOR



OMCAN INC.

Telephone: 1-800-465-0234

Fax: (905) 607-0234

Email: sales@omcan.com

Website: www.omcan.com



Follow us to keep up to date with the latest news and offers



2015.E.O.E