



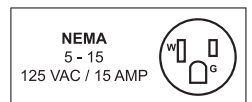
***Pasta Machine***  
***Model PM-IT-0004***  
***Item 13320***  
***Instruction Manual***



*Revised - 03/29/2017*

Locally QPS   
Approved

Toll Free: 1-800-465-0234  
Fax: 905-607-0234  
Email: [service@omcan.com](mailto:service@omcan.com)  
[www.omcan.com](http://www.omcan.com)



# ***Table of Contents***

Model PM-IT-0004

---

<b>Section</b>	<b>Page</b>
General Information -----	3 - 4
Safety and Warranty -----	4 - 6
Technical Specifications -----	6
Installation -----	6 - 8
Operation -----	8 - 9
Maintenance -----	9 - 11
Troubleshooting -----	11
Instructions Français -----	12 - 19
Instrucciones en Español -----	19 - 26
Illustrated Drawings -----	27
Parts Breakdown -----	28 - 29
Electrical Schematics -----	30
Warranty Registration -----	31



# General Information

---

Omcan Manufacturing and Distributing Company Inc., Food Machinery of America, Inc. dba Omcan and Omcan Inc. are not responsible for any harm or injury caused due to any person's improper or negligent use of this equipment. The product shall only be operated by someone over the age of 18, of sound mind, and not under the influence of any drugs or alcohol, who has been trained in the correct operation of this machine, and is wearing authorized, proper safety clothing. Any modification to the machine voids any warranty, and may cause harm to individuals using the machine or in the vicinity of the machine while in operation.

## CHECK PACKAGE UPON ARRIVAL

Upon receipt of an Omcan shipment please inspect for external damage. If no damage is evident on the external packaging, open carton to ensure all ordered items are within the box, and there is no concealed damage to the machine. If the package has suffered rough handling, bumps or damage (visible or concealed), please note it on the bill of lading before accepting the delivery and contact Omcan within 24 hours, so we may initiate a claim with the carrier. A detailed report on the extent of the damage caused to the machine must be filled out within three days, from the delivery date shown in the shipping documents. Omcan has no recourse for damaged products that were shipped collect or third party.

**Before operating any equipment, always read and familiarize yourself with all operation and safety instructions.**

**Omcan would like to thank you for purchasing this machine. It's of the utmost importance to save these instructions for future reference. Also save the original box and packaging for shipping the equipment if servicing or returning of the machine is required.**

---

**Omcan Fabrication et distribution Compañie Limité et Food Machinery d'Amerique, dba Omcan et Omcan Inc. ne sont pas responsables de tout dommage ou blessure causé du fait que toute personne ait utilisé cet équipement de façon irrégulière. Le produit ne doit être exploité que par quelqu'un de plus de 18 ans, saine d'esprit, et pas sous l'influence d'une drogue ou d'acohol, qui a été formé pour utiliser cette machine correctement, et est vêtu de vêtements de sécurité approprié. Toute modification de la machine annule toute garantie, et peut causer un préjudice à des personnes utilisant la machine ou des personnes à proximité de la machine pendant son fonctionnement.**

## VÉRIFIEZ LE COLIS DÈS RÉCEPTION

Dès réception d'une expédition d'Omcan veuillez inspecter pour dommages externes. Si aucun dommage n'est visible sur l'emballage externe, ouvrez le carton afin de s'assurer que tous les éléments commandés sont dans la boîte, et il n'y a aucun dommage dissimulé à la machine. Si le colis n'a subi aucune mauvaises manipulations, de bosses ou de dommages (visible ou cachée), notez-le sur le bond de livraison avant d'accepter la livraison et contactez Omcan dans les 24 heures qui suivent, pour que nous puissions engager une réclamation auprès du transporteur. Un rapport détaillé sur l'étendue des dommages causés à la machine doit être rempli dans un délai de trois jours, à compter de la date de livraison indiquée dans les documents d'expédition. Omcan n'a aucun droit de recours pour les produits endommagés qui ont été expédiées ou cueilli par un tiers transporteur.

# General Information

---

Avant d'utiliser n'importe quel équipement, toujours lire et vous familiariser avec toutes les opérations et les consignes de sécurité.

Omcan voudrais vous remercier d'avoir choisi cette machine. Il est primordial de conserver ces instructions pour une référence ultérieure. Également conservez la boîte originale et l'emballage pour l'expédition de l'équipement si l'entretien ou le retour de la machine est nécessaire.

---

Omcan Empresa De Fabricacion Y Distribucion Inc. Y Maquinaria De Alimentos De America, Inc. dba Omcan y Omcan Inc. no son responsables de ningun daño o perjuicio causado por cualquier persona inadecuada o el uso descuidado de este equipo. El producto solo podra ser operado por una persona mayor de 18 años, en su sano juicio y no bajo alguna influencia de droga o alcohol, y que este ha sido entrenado en el correcto funcionamiento de esta máquina, y ésta usando ropa apropiada y autorizada. Cualquier modificación a la máquina anula la garantía y puede causar daños a las personas usando la máquina mientras esta en el funcionamiento.

## REVISE EL PAQUETE A SU LLEGADA

Tras la recepcion de un envio Omcan favor inspeccionar daños externos. Si no hay daños evidentes en el empaque exterior, Habra el carton para asegurarse que todos los articulos solicitados estén dentro de la caja y no encuentre daños ocultos en la máquina. Si el paquete ha sufrido un manejo de poco cuidado, golpes o daños (visible o oculto) por favor anote en la factura antes de aceptar la entrega y contacte Omcan dentro de las 24 horas, de modo que podamos iniciar una reclamación con la compañía. Un informe detallado sobre los daños causados a la máquina debe ser llenado en el plazo de tres días, desde la fecha de entrega que se muestra en los documentos de envío. Omcan no tiene ningun recurso por productos dañados que se enviaron a recoger por terceros.

**Antes de utilizar cualquier equipo, siempre leer y familiarizarse con todas las instrucciones de operación y seguridad.**

Omcan quisiera darles las gracias por la compra de esta máquina. Es de la máxima importancia para guardar estas instrucciones para referencias en el futuro. También guarde la caja original y el embalaje para envío del equipo si el mantenimiento o la devolución de la máquina es necesaria.

# Safety and Warranty

---

## SAFETY PRECAUTIONS

This machine has been manufactured to make your work as safe as possible. Caution is, nevertheless, the golden rule to follow to prevent accidents. Do not put this manual away without reading it first, regardless of any previous personal experience. A little time spent in reading will save time and extra work. Read this manual thoroughly before proceeding with start-up, use, maintenance and other operations. Read and rigorously follow the herein contained instructions and recommendations:

# Safety and Warranty

---

- Read all warning labels applied to any part of the machine, and promptly replace them when they become worn or illegible.
- Only trained and authorised personnel should operate the machine.
- If any part jams or locks up, before clearing make sure you first switch off the motor. DO NOT clean, oil or grease by hand any moving parts of the machine. In addition, all repair and setting operations of any moving parts with the motor running, are prohibited, unless the necessary precautions to prevent any accidents have been taken beforehand.
- All moving parts are fitted with adequate guards and protections. Always remount them after removal for servicing.
- Be sure to wear tight-fitting clothing without any loose parts. Never wear open or unfastened jackets, shirts or overalls.
- To prevent accidents and ensure best performance, the machine must not be modified or altered unless authorised by the manufacturer nor must it be used in conditions or for purposes other than those for which it has been expressly designed. Any arbitrary modification implemented in this machine will automatically exempt the manufacturer from any liabilities for ensuing damage or injury.
- Always keep children away from the machinery.
- For reasons of hygiene, health and warranty, it is strictly prohibited to use the machine for the processing of substances other than foods. Any other uses are contrary to the applications as originally intended by the manufacturer, who shall consequently not be held liable for any damage to the machine itself or to other objects, or for any injuries to persons that may arise thereof. In taking the risk of misuse, the user will be held responsible for any consequences.

For your own personal safety, before connecting the machine to mains:

- Check that power mains leading to distribution socket is fitted with an appropriate multipolar switch protected against overloads and shortcircuits.
- Carry out all phase connections, as well as any neutral and ground connections (compulsory) with a standard plug compatible with the above mentioned socket. The protection lead (ground) is the one with the yellow/green insulating sheath; make sure that the power supply cable is appropriate to its use, according to length, mains voltage and machine consumption.
- Unless adequate protections against electrical shock are fitted, do not operate the machine in damp or wet environment.

**Strictly do not start up the machine without the protective panelling. This may jeopardise personnel safety and machine serviceability.**

**Caution:** Store this manual in a safe place, near the machine, and disclose its storage location to all involved personnel.

## **1 YEAR PARTS AND LABOUR BENCH WARRANTY**

**Within the warranty period, contact Omcan Inc. at 1-800-465-0234 to schedule a drop off to either an Omcan authorized service depot in the area, or to an Omcan Service warehouse to repair the equipment.**

**Unauthorized maintenance will void the warranty. Warranty covers electrical and part failures, not**

# Safety and Warranty

---

improper use.

Please see [www.omcan.com/warranty.html](http://www.omcan.com/warranty.html) for complete info.

## WARNING:

The packaging components are classified as normal solid urban waste and can therefore be disposed of without difficulty.

In any case, for suitable recycling, we suggest disposing of the products separately (differentiated waste) according to the current norms.

**DO NOT DISCARD ANY PACKAGING MATERIALS IN THE ENVIRONMENT!**

# Technical Specifications

---

Model	PM-IT-0004
Tank Capacity	3.74 lbs. / 1.7 kg.
Power	0.5 HP / 0.37 kW
OUTPUT / HR	8.8 lbs. / 4 kg.
Dies Included	N. 8 - Spaghetti, N. 21- Linguine, and N. 26-Fettuccine
Electrical	110 V / 60 Hz / 1 Ph
Weight	61 lbs. / 27.6 kg.
Packaging Weight	65 lbs. / 29 kg.
Dimensions (DWH)	10" x 14.5" x 16" / 254 x 368 x 406 mm
Packaging Dimension	20" x 15" x 22" / 508 x 381 x 559 mm
Item Number	13320

# Installation

---

Install and use the machine in a room that can be efficiently ventilated, and where the floor is smooth, compact and easy to clean.

In order to give the necessary stability to the machine:

- Check that the footers (Fig. 8A) are securely attached to the floor; otherwise, turn them to avoid instability.
- Position the machine in the desired place with a free back space of around 50 centimeters and a side

# Installation


space of 70-80 centimeters in order to guarantee easy use of the machine and its cleaning (Fig. 9).

- Please check that the voltage of the machine which is written on the identification label, matches the one foreseen by the system on your premises.
- Attach the right plug to the machine power cable in order to make the electrical connection to the system.
- After mating the plug to the mains socket, the machine is ready for use. First, however, check out proper operation of all moving parts and components of the machine.

**WARNING:** During the machine's operation, in order to obtain a product with the right thickness and humidity, avoid air currents which will cause precocious drying of the product together with its deterioration.

## INSTALLATION OF THE DRAWPLATE AND START-UP OF PRODUCTION

Before performing the installation and production, make sure the machine is switched off.

- Withdraw the drawplate (Fig. 5A) requested by the container filled with water where it was put after its last use.
- Thoroughly rinse with plenty of running warm water in order to have the piece at the right temperature. Dry it with a soft cloth.
- Unscrew the blocking ring nuts (Fig. 5B and 6A) and carefully clean the internal part including the edging.
- Take the plastic cap off (Fig. 5C and 6B).
- Disassemble the drawplate (Fig. 7A).
- Screw in the ring nuts by hand and verify that all the pieces are in their places and that they are aligned along the axle.
- In order to start production, position the selector on the  position (Fig. 3D) and push the start button (Fig. 3B).
- The initial product coming out of the machine has an unacceptable look; this is the reason why it has to be eliminated.
- After a short time (a couple of minutes) the product coming out is acceptable, the colour goes from whitish to yellow and it has a greater thickness. The cut of the pasta at the desired length can be made by hand or by knife. In the first case it is usually long length noodles (spaghetti or tagliatelle) and in the second case is especially short noodles (macaroni, etc.).

At the end of the operation:

- Stop the machine by switching the selector to the "0" position (Fig. 3C) and then turn it on the kneading position (Fig. 3A) for 10-15 seconds so that the pressure on the drawplate, caused by the product itself, is eliminated.
- Switch the selector to "0" (Fig. 3C) or push the Stop button (Fig. 3E).
- Disassemble and wash the moving pieces and clean the machine.

## CONTROL OF THE INSTALLATION

Verify that:

- In the "0" position (Fig. 3C), all the elements of the machine have to stop.
- In the "drawplate position" (Fig. 3D), the mixer rotates in a counterclockwise direction and the Archimedean screw must rotate in the opposite direction.
- In the "knead" position (Fig. 3A), the parts must rotate in the opposite direction.

**NOTE:** Every drive is voluntarily run by the start button, when the bowl cover is closed (Fig. 10F).

# *Installation*

---

**WARNING:** If the machine or some of its parts fail, call your local authorised dealer or concessionaire for repairs.

# *Operation*

---

## **PREPARING THE MACHINE**

Prepare the machine before every process cycle. Be sure that the machine, especially parts which come in contact with food products (extrusion sleeve, Archimedean screw, pool, mixer and drawplate) are perfectly clean.

## **OPERATING PRINCIPLE**

This machine kneads the different products desired and enables you to obtain different kinds of noodles with a different group of lengths because it draws the dough. This action is carried out to a mixer linked to an Archimedean screw which obliges the product to assume the desired shape going through a drawplate.

## **USE OF THE MACHINE**

After having turned the machine off:

- Position the selector on "0" (Fig. 2C) and verify the correct set-up of the Archimedean screw (Fig. 1A) making sure that the cylinder part is sustained by the dragging shaft.
- Make sure that the plastic cap (Fig. 1B), which replaces the drawplate, is correctly positioned and the ring nut (Fig. 1C) is tightly well-screwed on.
- Lastly lock the mixer (Fig. 1D) tightly in its seat by means of the head-knob (Fig. 1E).
- Pull up the pool cover (Fig. 4A) and always put in the pre-established ingredients in the following sequence: flour and then, after closing the cap, all the other liquid elements.

In order to obtain the right dough, you need to create the right ratio between the weight of the flour and the weight of the liquid part. In order to obtain a very good product, the flour has to contain a humidity percentage of no more than 15%; this allows the addition of water equal to 35% or up to 38% of the flour's weight. If you are using flours with different humidity contents, please change the quantity of the liquid in the opposite ratio. Moreover, in order to better use the machine, the product inside the pool has to be higher than at a minimum level which coincides more or less with the position of the mixer axle.



## QUANTITIES IN ORDER TO OBTAIN GOOD DOUGH

Pour the desired quantity of flour into the pool; it needs 7 eggs per kilo of flour:

Flour kg.	Number of Eggs	Grams of Pasta Product
0.5	3	650
1	7	1.350
1, 2*	9	1.650

\* This is the maximum capacity of the pool.

- Supposed weight of an egg: 50 grams.
- If you take 1 egg away you need to add 50 grams of water. Now shut the cover and put the selector in the kneading position (Fig. 3A).
- Push the start button (Fig. 3B).
- Add the liquid part pouring it slowly, but quickly through the small hole in the cover.
- At the end of the kneading operation, which should take around 10 minutes, make sure the product has the right thickness and should look like coffee beans (check through the small holes of the cover).
- Turn the machine off by switching the selector to "0" (Fig. 3C), or push the Stop button (Fig. 3E).

## Maintenance

You have to properly clean all the elements which are in contact with the product; protection cover, pool, mixer, Archimedean screw, drawplate, ring nut, when the product is still soft.

The moving parts have to be disassembled as follows:

- **Mixer**
  - Make sure the external shovel is in the upper vertical position (Fig. 11A) (only this position allows the disassembling of the piece).
  - Remove the mixer, pull out the knob (Fig. 11B) until the mixer disengages.
  - Take the square shaft away from its place (Fig. 11C) and at the same time turn the external end upwards. If you want to assemble the piece follow these instructions vice versa. Line the central point of the shaft with the peg of the moving support; then, leave the handle.
- **Ring nut (Fig. 11D) and drawplate (Fig. 11E)**
  - Unscrew the ring nut by hand, avoiding pieces falling when the ring nut comes out of its place, in order to avoid causing damage both to people or to the pieces themselves.
- **Archimedean Screw (Fig. 11F)**
  - After disassembling the ring nut and the drawplate, the Archimedean screw can easily be taken off from the machine by pushing its spiral from the internal end.

# Maintenance

---

**WARNING:** For healthy and hygienic processing of nutritional products, be sure to keep your machine and the surrounding environment clean.

**DANGER:** Always cut off power supply before cleaning.

## COVER AND POOL CLEANING

Eliminate the dough residue and make sure to thoroughly clean the most remote-access pieces: connections of the Archimedean screw and mixer movements (Fig. 12), extrusion sleeve, cover and pool internal parts. Use some warm water in order to eliminate the residual product and then rinse; dry the surfaces with the help of blotting paper. To clean machine internal and external parts:

- Remove power supply plug from power mains socket.
- Clean coated surfaces with soft cloth and disinfect with alcohol.
- To clean internal parts of machine:
  - Turn the machine and lay it down on a side.
  - Clean the internal parts with the help of a soft cloth and blow with a compressed air jet.

**WARNING:** Never use non-nutritional, abrasive or corrosive chemicals to clean. Also never use coarse or abrasive objects such as steel wool, abrasive sponges and so on. DO NOT clean the tank lid with alcohol or other solvents.

## CLEANING OF THE ARCHIMEDEAN SCREW, MIXER, RING NUT AND DRAWPLATE

- Eliminate the dough residue and wash the pieces with water; you may use a soft brush or a plastic egg-slice.
- These elements can be thoroughly washed in a dishwasher. Rinse and dry the mixer, the Archimedean screw and the ring nut and reassemble them on the machine.
- The drawplate (Fig. 5A) is to stay in a container with water when it is not in use.
- For reasons of hygiene, please change the water every day.

## MAINTENANCE AND ADJUSTMENT

The points of the machine which need a certain maintenance are the following: the transmission gears, the dragging belt and the mixer external support. Please carry out the first maintenance after the first 100 hours and thereafter every 500 hours.

- **Mixer support:** Use registered fats for foods (USDA-H1) (in case of requirement contact your local dealer).
- **Drive gears and chain:** please use mineral grease SAE MR3.

## BELT STRETCHING

When performing the above mentioned maintenance or when the machine is not working properly, (loss of rounds) verify the correct stretching of the transmission belt (Fig. 13A). Put the machine on one side and make sure that the belt is sufficiently stretched. If necessary, unscrew the blocking motor screws (Fig. 13B) and push it downwards and stretch the belt without exaggerating; then re-block the screws.

# Maintenance

Notes:

- Never use the machine with any missing, disassembled or open guards and shields.
- If servicing operations require repairs to electrical system and/or replacement of bearings or mechanical components, call an expert technician or your local dealer.

# Troubleshooting

PROBLEM	CAUSE	REMEDY
Machine Operation Failure.	Disconnected plug.	Connect plug.
	Plug leads not correctly connected.	Check lead connections.
	Trip switch adjusted for insufficient values.	Adjust trip switch accordingly.
	Unsuitable trip switch.	Replace trip switch.
	The security hook on the pool cover is not inserted properly.	Position the hook at the end of the run.
Product gets stuck when being poured out.	Dough too humid is used.	Reduce the quantity of water used for the dough respecting the above mentioned percentage.
The product looks unacceptable even after the initial minutes; it breaks and loses flour.	Too short kneading time.	Increase the kneading time.
	Too reduced water percentage.	Increase the quantity of water in order to respect the aforementioned percentage.
The product does not come out from the drawplate.	The blocking of the drawplate because of dried dough.	Disassemble and clean the drawplate.

## REFERENCE

Item Number	Model Number	Description	Manufacturer Model Number
13320	PM-IT-0004	Pasta Machine 9 LB / 4 KG per Hour 0.5 HP / 373 W 110V/60/1	TR70

# Instructions Français

---

## LA SÉCURITÉ ET LA GARANTIE

Lorsque nous avons réalisé cette machine, nous avons tout fait pour rendre votre travail plus sûr. La prudence est de toute manière irremplaçable et il n'y a pas de meilleure règle en matière de prévention des accidents. Ne pas mettre cette notice de côté sans l'avoir lue, indépendamment d'expériences précédentes. Quelques minutes consacrées à la lecture peuvent successivement faire économiser du temps et de la fatigue. Lire attentivement cette notice avant de procéder au démarrage, à l'utilisation, à la maintenance et à d'autres interventions sur la machine, et suivre scrupuleusement les instructions et les consignes indiquées ci-dessous:

- Observez les plaquettes appliquées sur la machine et remplacez immédiatement celles qui ont été égarées ou qui sont illisibles.
- La machine ne doit être utilisée que par des personnes compétentes et qui connaissent le fonctionnement de cette dernière.
- En cas de bourrage ou de blocage de n'importe quel organe, éteindre le moteur avant toute intervention. Il est interdit de nettoyer, de huiler ou de graisser à la main les éléments en mouvement de la machine. Il est également interdit de réparer ou de régler les différents organes lorsque le moteur est en marche, si on n'a pas pris toutes les précautions nécessaires afin d'éviter des accidents éventuels.
- Tous les organes en mouvement sont équipés des protections qui s'imposent. Remonter soigneusement celles qui auraient pu être enlevées pour des exigences de service.
- Les vêtements portés par l'opérateur doivent être prêts du corps et sans parties flottantes. Ne jamais porter de vestes ou de chemises déboutonnées.
- Afin d'éviter des accidents et assurer des performances optimales, la machine ne doit être ni modifiée ni transformée sans l'approbation du constructeur, elle ne doit pas être utilisée dans des conditions ou à des fins pour lesquelles elle n'est pas prévue. Toute modification arbitraire apportée à cette machine dégage le fabricant de toute responsabilité dérivant de dommages ou de lésions consécutifs.
- Ne pas laisser les enfants s'approcher de la machine.
- Pour des raisons d'hygiène, de santé et de garantie, il est absolument interdit d'utiliser la machine pour travailler des produits non alimentaires. Toute autre utilisation sera considérée contraire à l'utilisation prévue par le fabricant, qui ne pourra, par conséquent, être tenu pour responsable des dommages aux choses et à la machine elle-même ou bien des lésions aux personnes qui en dériveront éventuellement. Il faut considérer que si vous prenez le risque d'un usage non approprié, vous vous assumerez la responsabilité qui en découlera.

Pour votre sécurité, avant de brancher la machine sur le réseau:

- S'assurer qu'un disjoncteur omnipolaire adéquat, équipé des protections contre les surcharges et les courts-circuits est branché en amont de la prise de distribution.
- Effectuer la connexion des phases, du neutre éventuel et de la terre (obligatoire) à l'aide d'une fiche normalisée compatible avec la prise indiquée ci-dessus. Le conducteur de protection (terre) est indiqué par la couleur jaune/verte de l'enveloppe isolante; vérifier le bon état du câble d'alimentation en fonction de sa longueur, de la tension du réseau et de la puissance absorbée par la machine.
- Éviter d'opérer si le milieu est humide ou mouillé à moins d'avoir les protections appropriées contre les chocs électriques.

**Eviter absolument de mettre la machine en marche sans panneaux de protection. Cela peut nuire à**

# Instructions Français

vosre sécurité personnelle et à la machine elle-même.

**Attention:** Conserver scrupuleusement la présente notice dans un lieu approprié, à côté de la machine et connu de toutes les personnes concernées.

## 1 AN PIÈCES ET TRAVAIL BANC GARANTIE

Dans la période de garantie, contacter Omcan Inc. au 1-800-465-0234 pour planifier une chute hors soit un dépôt Omcan de service autorisé dans la zone ou à un entrepôt Omcan service pour réparer l'équipement.

Entretien non autorisée annulera la garantie. La garantie couvre les pannes électriques et une partie pas une mauvaise utilisation.

S'il vous plaît voir [www.omcan.com/warranty.html](http://www.omcan.com/warranty.html) pour info complète.

### AVERTISSEMENT:

Les matériaux d'emballage sont considérés comme des déchets solides urbains normale et peuvent donc être éliminés sans difficulté.

En tout cas, pour le recyclage approprié, nous suggérons tranchent des produits séparément (différenciée des déchets) selon les normes en vigueur.

**NE PAS JETER LES EMBALLAGES DANS L'ENVIRONNEMENT!**

### SPÉCIFICATIONS TECHNIQUES

Modèle	PM-IT-0004
Capacité du réservoir	3.74 lbs. / 1.7 kg.
Power	0.5 HP / 0.37 kW
SORTIE / HR	8.8 lbs. / 4 kg.
Dies Inclus	N. 8 - Spaghetti, N. 21- Linguine, and N. 26-Fettuccine
Tension nominale	110 V / 60 Hz / 1 Ph
Poids	61 lbs. / 27.6 kg.
Poids de l'emballage	65 lbs. / 29 kg.
Dimensions (DWH)	10" x 14.5" x 16" / 254 x 368 x 406 mm
Dimensions de l'emballage	20" x 15" x 22" / 508 x 381 x 559 mm
Numéro d'article	13320

# Instructions Français

---

## INSTALLATION

Pour positionner et utiliser la machine, prévoir une pièce bien aérée, ayant un plan d'appui nivelé et compact, facile à entretenir.


Pour assurer la stabilité nécessaire à la machine:

- S'assurer que les patins (Fig. 8A) sont bien appuyés au sol; sinon, les faire tourner jusqu'à ce que l'instabilité soit éliminée.
- Positionner la machine à l'endroit désiré, en prenant soin de laisser un espace libre de 50 cm. environ à l'arrière, et de 70 à 80 cm. sur les côtés, afin de permettre une utilisation facile et aisée de la machine, ainsi qu'une maintenance et un nettoyage efficaces (Fig. 9).
- S'assurer que le voltage de la machine, indiqué sur l'étiquette d'identification est celui qui est prévu par l'installation électrique de l'établissement.
- Monter sur le câble d'alimentation la fiche compatible avec le branchement électrique sur l'installation.
- Après qu'on a enfoncé la fiche dans la prise de courant, la machine est prête à être utilisée, mais contrôler préalablement que tous les organes et les composants de la machine fonctionnent correctement.

**AVERTISSEMENT:** En phase de travail, afin d'obtenir un produit ayant une consistance et un taux d'humidité corrects, il faut au contraire éviter les courants d'air qui provoqueraient le séchage précoce du produit et sa détérioration.

## MONTAGE DE LA FILIERE ET DEBUT DE LA PRODUCTION

Avant d'effectuer l'installation et la production, assurez-vous que la machine est hors tension.

- Prélever la filière (Fig. 5A) désirée du récipient rempli d'eau où elle avait été placée après la dernière utilisation.
- Bien la rincer sous l'eau chaude courante, de manière à ce qu'elle soit à la bonne température. L'essuyer à l'aide d'un chiffon doux.
- Dévisser la douille de blocage (fig. 5B et 6A) et nettoyer soigneusement la partie interne, y compris le filet
- Enlever le bouchon en plastique (Fig. 5c et 6B).
- Monter la filière (Fig. 7A).
- Serrer la douille à la main et vérifier que les différentes pièces sont à leur place, c'est-à-dire qu'elles n'ont pas été déplacées axialement à cause d'épaisseurs créées par du produit qui s'est glissé à l'intérieur.
- Pour commencer la production, placer le sélecteur en position  (Fig. 3D) et appuyer sur le bouton-poussoir de démarrage (Fig. 3B).
- Normalement, le premier produit se présente à la sortie de la machine sous un aspect non acceptable. C'est pour cela qu'il doit être éliminé.
- Peu de temps après (2 mn. environ) le produit sortant devient acceptable, sa couleur varie du blanchâtre au jaune et il a plus de consistance. On peut couper la pâte à la longueur désirée à la main ou à l'aide d'un couteau. On découpe normalement les pâtes à long format (type spaghettis, tagliatelles, etc.) à la main, tandis-que les pâtes à petit format (type macaronis, etc.) sont coupées au couteau.

A la fin du travail:

- Arrêter la machine en mettant le sélecteur sur la position "0" (Fig. 3C) puis le tourner sur la position de pétrissage (Fig. 3A) pendant 10 à 15 secondes de manière à éliminer la pression sur la filière, due au

# Instructions Français

produit.

- Remettre enfin le sélecteur sur le "0" (Fig. 3C).
- Procéder ensuite au démontage et au lavage des pièces mobiles, ainsi qu'au nettoyage de la machine.

## VERIFICATION DE L'INSTALLATION

Vérifier donc:

- Qu'en position "0" (Fig. 3C) tous les organes de la machine sont immobiles.
- En position "filière" (Fig. 3D) le malaxeur tourne dans le sens inverse des aiguilles d'une montre et la vis de sélection doit tourner dans le sens inverse.
- En position "malaxeur" (Fig. 3A) les organes doivent tourner dans le sens inverse.

**N.B.:** Tout actionnement est commandé volontairement par l'intermédiaire du bouton-poussoir de démarrage, quand le capot de protection de la cuve est renfermé (Fig. 10F).

**AVERTISSEMENT:** En cas de non-fonctionnement de la machine ou d'une de ses parties, s'adresser au revendeur ou au concessionnaire agréé pour toute intervention

## OPÉRATION

### DE LA MACHINE

A faire avant le début de chaque cycle de travail. S'assurer que la machine est parfaitement propre, surtout les petites pièces au contact du produit: manchon d'extrusion, vis de sélection, cuve, malaxeur et filière

## PRINCIPE DE FONCTIONNEMENT

Lorsqu'elle travaille les produits alimentaires voulus, cette machine permet d'obtenir différents types de pâtes de longueur différente, en étirant la pâte à travers des disques différents. L'action se déroule au moyen d'un organe malaxeur couplé à une vis de sélection qui oblige le produit à prendre la forme voulue en passant par une filière.

## UTILISATION DE LA MACHINE

Assurez-vous d'avoir éteint la machine, puis:

- Positionner le sélecteur sur "0" (Fig. 2C), s'assurer que la vis de sélection est correctement montée (Fig. 1A), la partie cylindrique devant être appuyée contre l'arbre d'entraînement.
- S'assurer également que le bouchon en plastique (Fig. 1B) qui remplace la filière est bien positionné, et que la douille (Fig. 1C) est bien vissée.
- Enfin bloquer de manière sûre le malaxeur (Fig. 1D) dans son logement au moyen du pommeau qui se trouve sur le devant de la machine (Fig. 1E).
- Soulever le capot de la cuve (Fig. 4A), et verser les ingrédients établis toujours dans l'ordre suivant: la farine, puis successivement, après avoir fermé le capot, la partie liquide.

# Instructions Français

Pour obtenir une pâte ayant une consistance correcte, il faut qu'il existe un rapport précis entre le poids de la farine et celui de la partie liquide; pour obtenir un produit excellent, la farine doit avoir un pourcentage d'humidité non supérieur à 15% et cela permet d'ajouter une quantité d'eau pesant 35 à 38% du poids de la farine. Si on utilise de la farine ayant un pourcentage d'humidité différent, modifier la quantité de liquide selon un rapport inversement proportionnel. De plus, pour une meilleure utilisation de la machine, il faut que le produit travaillé à l'intérieur de la cuve soit supérieur à un niveau minimum, qui peut coïncider approximativement avec la position de l'axe du malaxeur.

## DOSES POUR OBTENIR UNE BONNE PÂTE

Verser dans la cuve la quantité de farine désirée en tenant compte du fait que pour chaque kg. de farine il faut 7 oeufs:

Farine en kg.	Number of Eggs	Pâte produite en g.
0.5	3	650
1	7	1.350
1, 2*	9	1.650

\* Contenance maximum de la cuve.

- Poids supposé d'un oeuf: 50 g.
- Pour chaque oeuf en moins ajouter 50 g. d'eau.
- Fermer le capot et mettre le sélecteur en position (Fig. 3A).
- Appuyer sur le bouton-poussoir de démarrage (Fig. 3B).
- Ajouter la partie liquide en la versant progressivement, mais rapidement, par la fente du capot.
- A la fin de l'opération de pétrissage, qui dure environ 10 minutes, s'assurer que le produit a une consistance correcte, c'est-à-dire qu'il devra se présenter sous la forme de grains de café (contrôle à effectuer par les fentes du capot).
- Eteindre la machine en mettant le sélecteur sur le "0" (Fig. 3C), ou bien appuyer sur le bouton-poussoir d'arrêt (Fig. 3E).

## ENTRETIEN

Il est donc vivement conseillé de nettoyer soigneusement toutes les pièces au contact du produit: capot de protection, cuve, malaxeur, vis de sélection, filière, douille, tant que le produit est encore mou.

Les parties mobiles devront être démontées de la manière suivante:

- **Malaxeur**
  - S'assurer que la pale extérieure est en position verticale haute (Fig. 11A) (on ne peut démonter la pièce que dans cette position).
  - Démontez le malaxeur, tirer le pommeau (Fig. 11B) jusqu'à dégager le malaxeur.
  - Désengager l'arbre carré de son logement (Fig. 11C) et tourner simultanément l'extrémité externe vers le haut. Pour le montage de la pièce, opérer dans le sens inverse en faisant attention à aligner le siège central de l'arbre avec le centreur du support mobile; puis relâcher le pommeau.
- **Douille (Fig. 11D) et filière (Fig. 11E)**



# Instructions Français

- Dévisser la douille à la main, en faisant attention dès que la douille sort de son logement à ne pas faire tomber les pièces (il ne faut pas se faire mal, ni endommager les pièces).
- **Vis de sélection** (Fig. 11F)
  - Une fois que la douille est démontée avec la filière, on peut extraire la vis de sélection facilement en la prenant par l'extrémité interne et en la poussant en-dehors de la spirale.

**IMPORTANT:** Étant donné qu'on utilise la machine avec des produits alimentaires le nettoyage de celle-ci et du milieu environnant est une chose fondamentale pour la santé et l'hygiène du produit fini.

**DANGER:** Se rappeler de débrancher l'alimentation électrique avant d'exécuter toute opération de nettoyage.

## NETTOYAGE DE LA CUVE ET DU CAPOT

Enlever les résidus de pâte, en faisant attention à réaliser un nettoyage soigné au niveau des parties les plus difficiles d'accès: raccords du mouvement de la vis de sélection et du malaxeur (Fig. 12), manchon d'extrusion, angles internes de la cuve et capot. Utiliser de l'eau chaude pour éliminer le produit résidu et pour le rinçage; essuyer les surfaces avec du papier buvard alimentaire.

En ce qui concerne le nettoyage de la partie externe et interne de la machine:

- Débrancher la fiche d'alimentation du réseau d'énergie.
- Nettoyer les surfaces laquées à l'aide d'un chiffon humide puis les désinfecter à l'alcool.
- Pour les parties internes de la machine:
  - Renverser la machine sur le côté droit ou gauche.
  - Nettoyer les parties internes à l'aide d'un chiffon doux et souffler un jet d'air sous pression.

**IMPORTANT:** Pour le nettoyage, n'utiliser en aucun cas de produits chimiques non alimentaires, abrasifs ou corrosifs. Éviter absolument d'utiliser des moyens rugueux ou abrasifs tels la paille d'acier, les éponges abrasives, etc. Ne pas nettoyer le couvercle de la cuve avec de l'alcool ou avec d'autres solvants.

## NETTOYAGE DU MALAXEUR, DE LA VIS DE SELECTION, DE LA DOUILLE ET DE LA FILIERE

- Enlever les résidus de pâte en nettoyant les pièces sous un jet d'eau, et utiliser éventuellement une petite brosse humide ou une palette en plastique.
- Ces pièces peuvent lavées plus énergiquement dans un lavevaisselle. Rincer le malaxeur puis l'essuyer, et de même pour la vis de sélection et la douille. Les remonter ensuite sur la machine.
- La filière (Fig. 5A) doit être immergée dans un récipient rempli d'eau pendant tout le temps où elle reste inutilisée.
- Pour des raisons d'hygiène, changer l'eau de ce récipient tous les jours.

## MAINTENANCE ET REGLAGE

Les points de la machine qui ont besoin de maintenance sont: les engrenages de transmission, la courroie

# Instructions Français

d'entraînement et le support externe du malaxeur. Effectuer la première maintenance au bout de 100 heures de fonctionnement, et successivement toutes les 500 heures.

- **Support du malaxeur:** Utiliser de la graisse pour aliments de type homologué suivant les spécifications USDA-H1 (si nécessaire, s'adresser au revendeur de la zone).
- **Engrenages de transmission et chaîne:** Utiliser de la graisse minérale de type SAE MR3.

## TENSION DE LA COURROIE

A l'occasion de la maintenance prévue ou en cas de fonctionnement irrégulier de la machine (perte de tours), s'assurer que la courroie de transmission est correctement tendue (Fig. 13A). Pour cela, renverser la machine sur un côté. Si la courroie n'est pas suffisamment tendue, desserrer les vis de blocage du moteur (Fig. 13B), le déplacer vers le bas puis tendre la courroie sans exagérer. Terminer l'opération en reserrant les vis.

Notes:

- Ne jamais utiliser la machine lorsque les protections et les protecteurs sont démontés, manquants ou ouverts.
- Si les interventions de maintenance concernent des réparations de parties qui ont un rapport avec l'installation électrique et/ou si on doit procéder au remplacement de paliers ou de composants mécaniques, faire exécuter ces opérations par du personnel spécialisé ou par le revendeur.

## DÉPANNAGE

PROBLÈME	CAUSE	REMEDES
La machine ne fonctionne pas.	Fiche débranchée.	Enfoncer la fiche.
	Fils de la fiche non fixés correctement.	S'assurer que les fils sont fixés correctement.
	Disjoncteur de sûreté étalonné sur des valeurs insuffisantes.	Étalonner le disjoncteur de sûreté d'une manière adéquate.
	Disjoncteur de sûreté inadéquat.	Changer le disjoncteur de sûreté.
	Le levier de sécurité sur le capot de la cuve n'est pas inséré correctement.	Positionner le levier en fin de course.
Il se colle à la sortie.	La pâte utilisée est trop humide.	Réduire la quantité d'eau utilisée pour le pétrissage, en respectant le pourcentage prévu.
Le produit a un aspect non acceptable même après les premières minutes; il se coupe, il se pulvérise.	Le temps de pétrissage est trop bref.	Augmenter le temps de pétrissage.
	Le pourcentage en eau est trop faible.	Augmenter la quantité d'eau de manière à respecter le pourcentage prévu.
Le produit ne sort pas de la filière.	La filière est bouchée car la pâte est trop sèche.	Démonter et nettoyer la filière.

# Instructions Français

## RÉFÉRENCE

Numéro d'article	Numéro de modèle	La description	Numéro du fabricant Modèle
13320	PM-IT-0004	Machine à pâtes 9 LB / 4 KG par heure 0.5 HP / 373 W 110V/60/1	TR70

# Instrucciones en Español

## SEGURIDAD Y GARANTÍA

### PRECAUCIONES DE SEGURIDAD

En realizando esta máquina todo fue cumplido para que el trabajo de Ustedes se volviera más seguro. En todo caso la prudencia es insostituible y no hay regla mejor para prevenir los accidentes. Este manual no ha de ser puesto de lado sin haberlo leído, independientemente de precedentes experiencias. Unos minutos dedicados a su lectura harán ahorrar, en lo sucesivo, tiempo y trabajo. Lean atentamente este opúsculo antes de proceder al arranque, empleo, manutención y otras intervenciones sobre la máquina, y sigan escrupulosamente las instrucciones y advertencias explicada a continuación:

- Observar las chapitas aplicadas sobre la máquina y sustituir inmediatamente las que se hayan extraviado o se hayan vuelto ilegibles.
- La máquina debe ser utilizada solamente por personas responsables, instruidas sobre el funcionamiento de la misma.
- En caso de atascamiento o bloqueo de cualquier órgano, antes de soltarlo, apáguese el motor. Está vedado limpiar, aceitar o engrasar a mano los elementos en movimiento de la máquina. También está prohibido efectuar todas las operaciones de reparación y ajuste de los varios órganos, con el motor en movimiento, si no se han tomado todas las precauciones necesarias para evitar posibles accidentes;
- Todos los órganos en movimiento deben estar dotados de las oportunas protecciones. Montar de nuevo las que eventualmente hayan sido removidas por exigencias de servicio.
- La ropa endosada por el operador debe ser adherente y libre de partes en revoloteo. No endosar sacos o camisas desliadas.
- Para evitar accidentes y asegurar las máximas prestaciones, la máquina no debe ser modificada o alterada en modos no aprobados por el constructor, ni tampoco debe ser empleada bajo condiciones o para fines a los que no está prevista. Toda modificación arbitraria que se aporte a esta máquina, libra al constructor de toda responsabilidad que se origine de consiguientes daños o lesiones.
- Mantener a los niños siempre alejados de la máquina.
- Por razones de higiene, salud y garantía, queda absolutamente prohibido el uso de la máquina para la elaboración de productos no alimenticios. Cualquier otro empleo será considerado contrario a la utilización prevista por el fabricante, el cual, por lo tanto, no podrá resultar responsable de los daños a cosas y a la máquina misma, ni tampoco de las lesiones a personas que de ello eventualmente se originen. Es preciso

# Instrucciones en Español

---

considerar que al tomarse el riesgo en el uso impropio se asume también la responsabilidad consiguiente.

Para vuestra seguridad, antes de conectar la máquina a la red, hay que:

- Controlar que en el punto inicial de la toma de distribución esté insertado un adecuado interruptor omnipolar provisto de protecciones contra sobrecargas y cortos circuitos.
- Efectuar la conexión de las fases, del eventual neutro y de tierra (obligatoria) con un enchufe normalizado compatible con la toma arriba indicada. El conductor de protección (tierra) está indicado por la coloración amarillo/verde de la envoltura de aislamiento; verificar la idoneidad del cable de alimentación; en función de su longitud, de la tensión de red y de la potencia absorbida por la máquina.
- Evitar de operar cuando el ambiente sea húmedo o mojado, a menos que no se usen las protecciones adecuadas contra los shocks eléctricos.

**Evitar de la manera más absoluta poner en función la máquina si no tiene paneles de protección. Eso es perjudicial a los fines de la seguridad personal y de la máquina misma.**

**Atención:** Conservar escrupulosamente el presente manual en lugar idóneo, cerca de la máquina y al conocimiento de todos los interesados.

## 1 AÑO EN PIEZAS Y TRABAJO BANCO DE GARANTÍA

Dentro del período de garantía, póngase en contacto Omcan Inc. al 1-800-465-0234 para programar una caída ya sea a un depósito autorizado Omcan servicio en la zona, o para un almacén de servicio Omcan para reparar el equipo.

**Mantenimiento no autorizada anulará la garantía. La garantía cubre no fallas eléctricas y piezas de uso indebido.**

Por favor, vea [www.omcan.com/warranty.html](http://www.omcan.com/warranty.html) para obtener información completa.

### ADVERTENCIA:

Las piezas de embalaje se clasifican como residuos sólidos urbanos y por lo tanto se pueden eliminar sin dificultades.

En cualquier caso, para el reciclaje adecuado, le sugerimos comercialización de esos productos por separado (residuos diferenciada) de acuerdo con las normas vigentes.

**NO TIRAR LOS PRODUCTOS ENVASADO EN EL MEDIO AMBIENTE!**

# Instrucciones en Español

## ESPECIFICACIONES TÉCNICAS

Modelo	PM-IT-0004
Capacidad del depósito	3.74 lbs. / 1.7 kg.
Power	0.5 HP / 0.37 kW
SALIDA / HR	8.8 lbs. / 4 kg.
Muere Incluido	N. 8 - Spaghetti, N. 21- Linguine, and N. 26-Fettuccine
Electrico	110 V / 60 Hz / 1 Ph
Peso	61 lbs. / 27.6 kg.
Peso del embalaje	65 lbs. / 29 kg.
Dimensiones (DWH)	10" x 14.5" x 16" / 254 x 368 x 406 mm
Dimensiones de embalaje	20" x 15" x 22" / 508 x 381 x 559 mm
Número de artículo	13320

## INSTALACIÓN

Para el posicionamiento y utilización de la máquina, debe ser previsto un local con piso plano y compacto, con posibilidad de asegurar una limpieza esmerada y buena aireación.

Para asegurar la estabilidad necesaria a la máquina:

- Verifíquese que los pies (Fig. 8A) estén bien apoyados en el piso; en caso contrario, hay que girarlos hasta eliminar la inestabilidad.
- Colocar la máquina en el lugar deseado, con la advertencia de dejar un espacio libre en la parte posterior de cerca de 50 cm. y en los lados de al menos 70-80 cm., para permitir una fácil utilización y una manutención y limpieza eficaz (Fig. 9).
- Verificar que el voltaje de la máquina, marcado en la etiqueta de identificación, sea el previsto por la instalación eléctrica del edificio.
- Montar en el cable de alimentación de la máquina, el enchufe idóneo para la conexión eléctrica a la instalación.
- Después de haber insertado el enchufe a la toma de corriente, la máquina está lista para el uso, previa una prueba del correcto funcionamiento de todos los órganos y componentes de la máquina.

**ADVERTENCIA:** Durante el periodo de trabajo, en cambio, para obtener un producto con la justa consistencia y humedad, hay que evitar las corrientes de aire que causarían el secamiento precoz del producto y su deterioración.


## MONTAJE DE LA HILERA E INICIO PRODUCCION

Antes de realizar la instalación y la producción, asegúrese de que la máquina está apagada.

- Retirar la hilera (Fig. 5A), requerida por el contenedor llenado de agua, de donde fue colocada después de su última utilización.
- Enjuagar bien con agua corriente caliente de modo que la pieza alcance la justa temperatura.

# Instrucciones en Español

---

- Secarla con paño m3rbido. Desenroscar la abrazadera de bloqueo (Fig. 5B - 6A) y limpiar cuidadosamente la parte interior, inclusive la rosca.
- Quitar el tap3n de pl3stico (Fig. 5C - 6B). Montar la hilera (Fig. 7A).
- Atornille las tuercas anulares a mano y verifique que todas las piezas est3n en su sitio y que est3n alineadas a lo largo del eje.
- Cerrar la abrazadera a mano y verificar que las varias piezas est3n en su asiento y no desplazadas axialmente a causa de producto que haga de espesor. Para iniciar la producci3n, colocar el selector sobre la posici3n  (Fig. 3D) presionar el pulsador START (Fig. 3B).
- El primer producto que sale de la m3quina se presenta normalmente con un aspecto no aceptable; por eso debe ser eliminado.
- Despu3s de breve tiempo (cerca de 2 minutos) el producto que sale llega a ser aceptable, varia su color de blanquecino a amarillo y presenta una mayor consistencia. El corte de la pasta al largo deseado puede efectuarse a mano o con la ayuda de un cuchillo. En el primer caso se cortan, normalmente, pastas de formato largo (como spaghetti, tallarines, etc.), mientras que se cortan con el cuchillo las pastas cortas (tipo macarrones, etc.).

Al terminar el trabajo:

- Parar la m3quina poniendo el selector en la posici3n "0" (Fig. 3C) y girarlo despu3s sobre la posici3n de mezcla (Fig. 3A) por 10-15 segundos de manera que sea eliminada la presi3n sobre la hilera debida al producto.
- Reponer en fin el selector sobre "0" (Fig. 3C).
- Proceder entonces al desmontaje y lavado de las piezas m3viles y a la limpieza de la m3quina.

## VERIFICACION DE LA INSTALACION

Verificar por tanto:

- En la posici3n "0" (Fig. 3C), todos los 3rganos de la m3quina deben estar parados.
- En posici3n "hilera" (Fig. 3D), el mezclador gira en sentido contrario a las agujas del reloj, y la c3clea deber3 girar en sentido contrario.
- En la posici3n "mezclar" (Fig. 3A), los 3rganos girar3n en sentido contrario.

**NOTA:** Todo accionamiento es gobernado voluntariamente a trav3s del pulsador de arranque, cuando la tapadera de protecci3n del recipiente est3 cerrada (Fig. 10F).

**ADVERTENCIA:** En caso de faltado funcionamiento de la m3quina o de cualquier parte de ella, para cualquiera intervenci3n hay que dirigirse al revendedor o concesionario autorizado.

## OPERACI3N

### FASE PREPARATORIA DE LA MAQUINA

Debe ser ejecutada antes del inicio de cada ciclo de trabajo. Cerciorarse de la perfecta limpieza de la m3quina y especialmente de todas las piezas a contacto con el producto: manguito de extrusi3n, c3clea, recipiente, mezclador e hilera.

# Instrucciones en Español

## PRINCIPIO DE FUNCIONAMIENTO

La máquina, elaborando productos alimenticios deseados, permite obtener varios tipos de pasta y de variado largo, trefilando el amasijo a través de discos diferentes. La acción se desarrolla por medio de un órgano mezclador acoplado a una cóclea que fuerza el producto a tomar la forma deseada pasando por una hilera.

## UTILIZACION DE LA MAQUINA

Después de haber con certeza apagado la máquina:

- Posicionar el seleccionador sobre "0" (Fig. 2C), verifíquese el correcto montaje de la cóclea (Fig. 1A), observando que la parte cilíndrica quede apoyada al árbol de arrastre.
- Asegurarse también que el tapón de plástico (Fig. 1B), sustitutivo de la hilera esté bien posicionado y la abrazadera (Fig. 1C) bien cerrada.
- Por último, bloquear el mezclador (Fig. 1D) en su alojamiento con el pomo (Fig. 1E).
- Levantar la tapadera del recipiente, (Fig. 4A) y verter siempre los ingredientes preestablecidos en el siguiente orden: la harina, y sucesivamente, después de cerrar la tapadera, la parte líquida. Para lograr un amasijo correcto es necesario que exista una relación exacta entre el peso de la harina y el de la parte líquida.

Para obtener un producto óptimo la harina debe tener un porcentaje de humedad no superior al 15%, y eso permite añadir una cantidad de agua del 35% al 38% del peso de la harina. En caso se utilizaren harinas con porcentaje de humedad diferente, hay que modificar la cantidad del líquido en la relación inversa. Además para una mejor utilización de la máquina es necesario que el producto elaborado en el interior del recipiente sea superior a un nivel mínimo, que aproximadamente puede coincidir con la posición del eje del mezclador.

## DOSIS PARA OBTENER UN BUEN AMASIJO

Verter en el recipiente la cantidad de harina deseada teniendo en cuenta que por cada kg. de harina sirven 7 huevos:

Harina kg.	Huevos n°	Producto pasta gr.
0.5	3	650
1	7	1.350
1, 2*	9	1.650

\* Contenido máximo del recipiente.

- Peso supuesto de n° 1 huevo: gr. 50.
- Por cada huevo en menos, añadir gr. 50 de agua.
- Cerrar la tapadera y poner el selector en la posición (Fig. 3A).
- Presionar el pulsador START (Fig. 3B).
- Añadir la parte líquida vertiéndola gradualmente pero en breve tiempo a través de la rendija de la tapadera.
- A final de la operación de amasijo, de una duración aproximada de 10 minutos, asegurarse que el producto tenga la justa consistencia, debiendo el mismo presentarse a la vista bajo forma de granos de café (control

# Instrucciones en Español

---

que se efectúa a través de las ranuras de la tapadera).

- Apagar la máquina poniendo el selector sobre "0" (Fig. 3C), o presionar el pulsador STOP (Fig. 3E).

## MANTENIMIENTO

Se recomienda por tanto ejecutar una cuidadosa limpieza de todas las piezas particulares a contacto con el producto: tapadera de protección, recipiente, mezclador, cóclea, hilera, abrazadera, mientras tanto que el producto se encuentra aún blando.

Las partes móviles deben ser desmontadas en la manera siguiente:

- **Mezclador**
  - Asegurarse que la paleta externa esté en la posición vertical superior (Fig. 11A) (solamente esta posición permite el desarme de la pieza).
  - Desmontar el mezclador y tirar del pomo (Fig. 11B) hasta liberarlo.
  - Desensartar el árbol cuadrado de su asiento (Fig. 11C) y contemporaneamente girar la extremidad externa hacia arriba. Para el montaje del particular obrar en sentido inverso con la advertencia de alinear el alojamiento central del árbol con la espiga del soporte móvil; luego soltar la perilla.
- **Abrazadera (Fig. 11D) e hilera (Fig. 11E)**
  - Desenroscar la abrazadera a mano, poniendo cuidado a que no caigan las piezas, en el momento en que la abrazadera sale de su asiento, para no causar daños a sí mismo o las piezas mismas.
- **Cóclea (Fig. 11F)**
  - Desmontada la abrazadera con hilera, la cóclea se puede extraer fácilmente de la máquina empujándola desde la espiral por la extremidad interna.

**IMPORTANTE:** Dado que la máquina se emplea con productos alimentarios, la limpieza de la misma y del ambiente circunstante es asunto fundamental para la salud y el higiene del producto acabado.

**PELIGRO:** Hay que acordarse de desconectar la alimentación eléctrica antes de ejecutar cualquier operación de limpieza.

## LIMPIEZA DEL RECIPIENTE Y DE LA TAPADERA

Quitar los residuos de pasta, con el cuidado de ejecutar una limpieza esmerada en las partes de más difícil acceso: conexiones del movimiento de la cóclea y del mezclador (Fig. 12), manguito de extrusión, ángulos interiores del recipiente y tapadera. Utilizar agua caliente para la eliminación del producto residual y enjuague; secar las superficies con panel absorbente de uso alimentario.

Por lo que respecta la limpieza de la parte externa e interna de la máquina:

- Desconectar el enchufe de alimentación de la red de energía.
- Limpiar con paño mórvido las superficies barnizadas y desinfectarlas con alcohol.
- Para las partes internas de la máquina:
  - Inclinar la máquina y ponerla sobre un lado.
  - Limpiar con un paño mórvido las partes internas y soplar con un chorro de aire en presión.



# Instrucciones en Español

---

**IMPORTANTE:** En ningún caso se puede utilizar para la limpieza productos químicos no alimentares, abrasivos o corrosivos. Evítese de la manera más absoluta usar elementos ásperos o abrasivos como viruta de acero, esponjas abrasivas etc. No limpiar la tapa de la cuba con alcohol ni disolventes de ningún tipo.

## LIMPIEZA DE: MEZCLADOR, COCLEA, ABRAZADERA E HILERA (Fig. 5)

- Quitar los residuos de pasta, poniendo las piezas bajo un chorro de agua, ayudándose eventualmente con un cepillito mórvido o una paleta de plástico.
- Estos particulares pueden ser lavados más energicamente en un lavaplatos. Enjuagar y secar el mezclador, la cóclea y la abrazadera y luego montarlos de nuevo en la máquina.
- La hilera (Fig. 5A) debe mantenerse en un recipiente sumergida en agua durante todo el tiempo en que queda sin utilizar.
- Por razones de higiene hay que cambiar diariamente el agua del recipiente.

## MANUTENCION Y REGULACION

Los puntos de la máquina que necesitan manutención son: los engranajes de transmisión, la correa de arrastre y el soporte exterior del mezclador. Ejecutar la primera manutención después de las primeras 100 horas de funcionamiento, y sucesivamente cada 500 horas.

- **Soporte del mezclador:** Utilizar grasa para alimentos de tipo homologado según especificaciones USDA-H1; (en caso de necesidad acudir al revendedor de zona).
- **Engranajes de transmisión y cadena:** Utilizar grasa mineral tipo SAE MR3.

## TENSION DE LA CORREA

En ocasión de la manutención prevista o en caso de irregular funcionamiento de la máquina (pérdidas de revoluciones), verificar la correcta tensión de la correa de transmisión (Fig. 13A). Para eso hay que colocar la máquina sobre un lado y cerciorarse que la correa quede suficientemente tensa. En caso de necesidad, aflojar los tornillos de bloqueo motor (Fig. 13B), desplazarlo hacia abajo y luego tensar la correa sin exagerar; en fin cerrar de nuevo los tornillos.

Notas:

- Jamás utilizar la máquina con las protecciones y resguardos sea faltantes sea abiertos.
- En caso que las intervenciones de manutención se refieran a reparaciones de partes relacionadas con la instalación eléctrica y/o la sustitución de cojinetes o componentes mecánicos, hay que hacer ejecutar las operaciones por personal especializado o por el revendedor.

# Instrucciones en Español

## SOLUCIÓN DE PROBLEMAS

PROBLEMA	CAUSAS	REMEDIOS
Faltado funcionamiento de la máquina.	Enchufe desconectado.	Conectar el enchufe.
	Alambres del enchufe no correctamente fijados.	Controlar la correcta fijación de los alambres.
	Interruptor diferencial automático calibrado para valores insuficientes.	Calibrar en forma adecuada el interruptor diferencial automático.
	Interruptor diferencial automático no adecuado.	Cambiar interruptor diferencial automático no adecuado.
	Gancho de seguridad sobre tapadera recipiente no correctamente insertado.	Posicionar el gancho a fin de carrera.
Producto es pegajoso en la salida.	Amasijo empleado demasiado húmedo.	Reducir la cantidad de agua utilizada para el amasijo, respetando el % previsto.
Producto de aspecto no aceptable aún después de los minutos iniciales: se quiebra, se pulveriza.	Tiempo de amasijo demasiado breve.	Aumentar el tiempo de amasijo.
	Porcentaje de agua demasiado reducido.	Aumentar la cantidad de agua de modo tal que sea respetado el % previsto.
El producto no sale de la hilera.	Obstrucción de la hilera debida a amasijo secado.	Desmontar y limpiar la hilera.

## REFERENCIA

Número de artículo	Número de modelo	Descripción	Número de modelo del fabricante
13320	PM-IT-0004	Máquina de las pastas 9 LB / 4 KG por hora 0.5 HP / 373 W 110V/60/1	TR70

# Illustrated Drawings

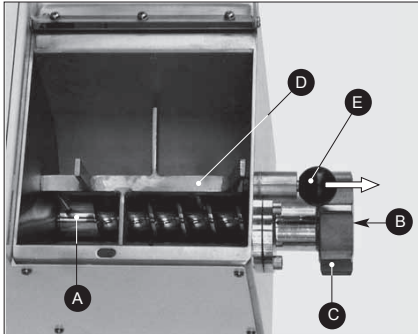


Fig. 1

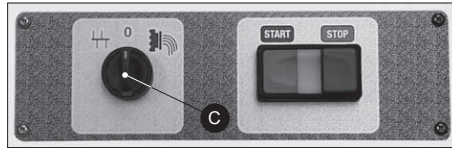


Fig. 2

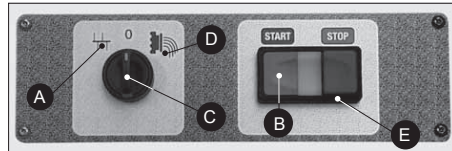


Fig. 3

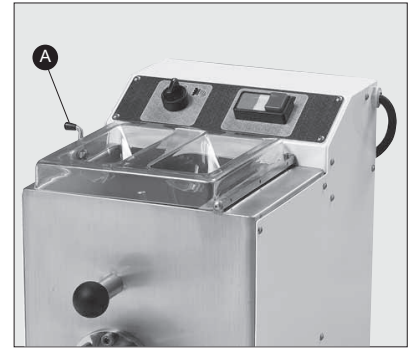


Fig. 4

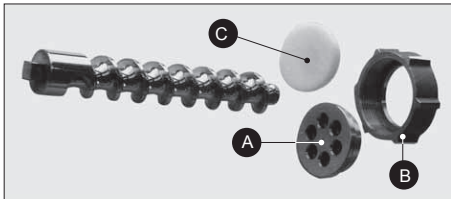


Fig. 5

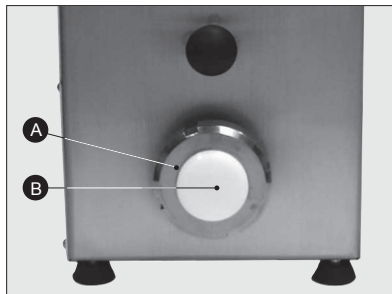


Fig. 6

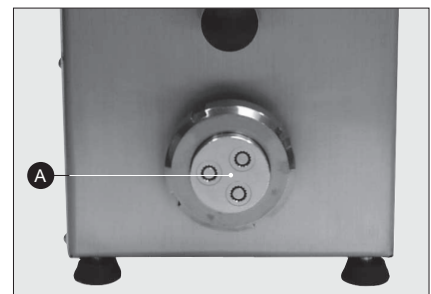


Fig. 7

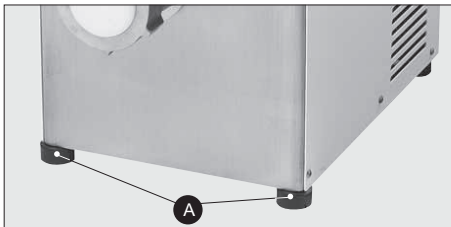


Fig. 8

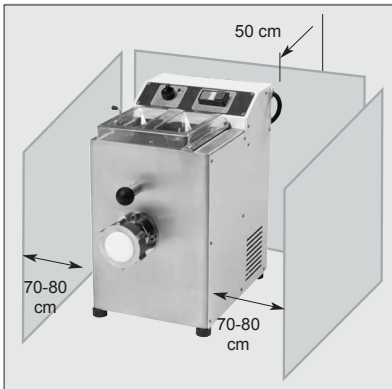


Fig. 9

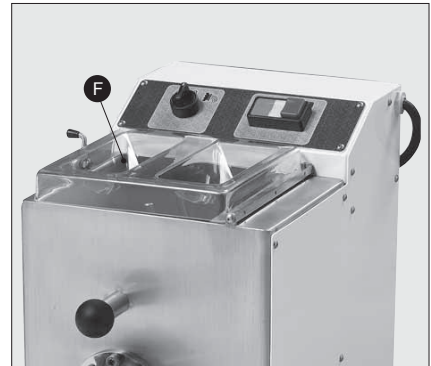


Fig. 10

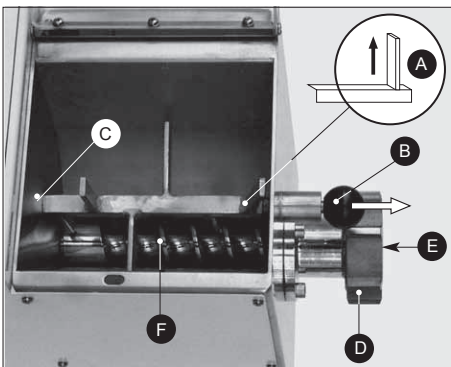


Fig. 11

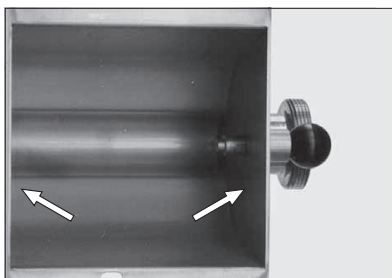


Fig. 12

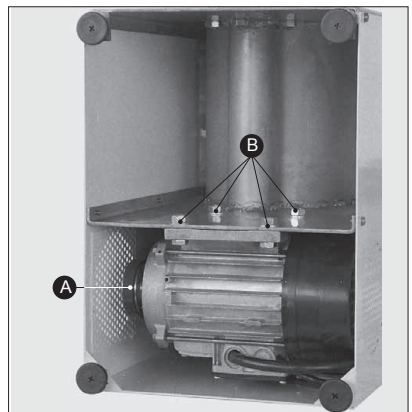
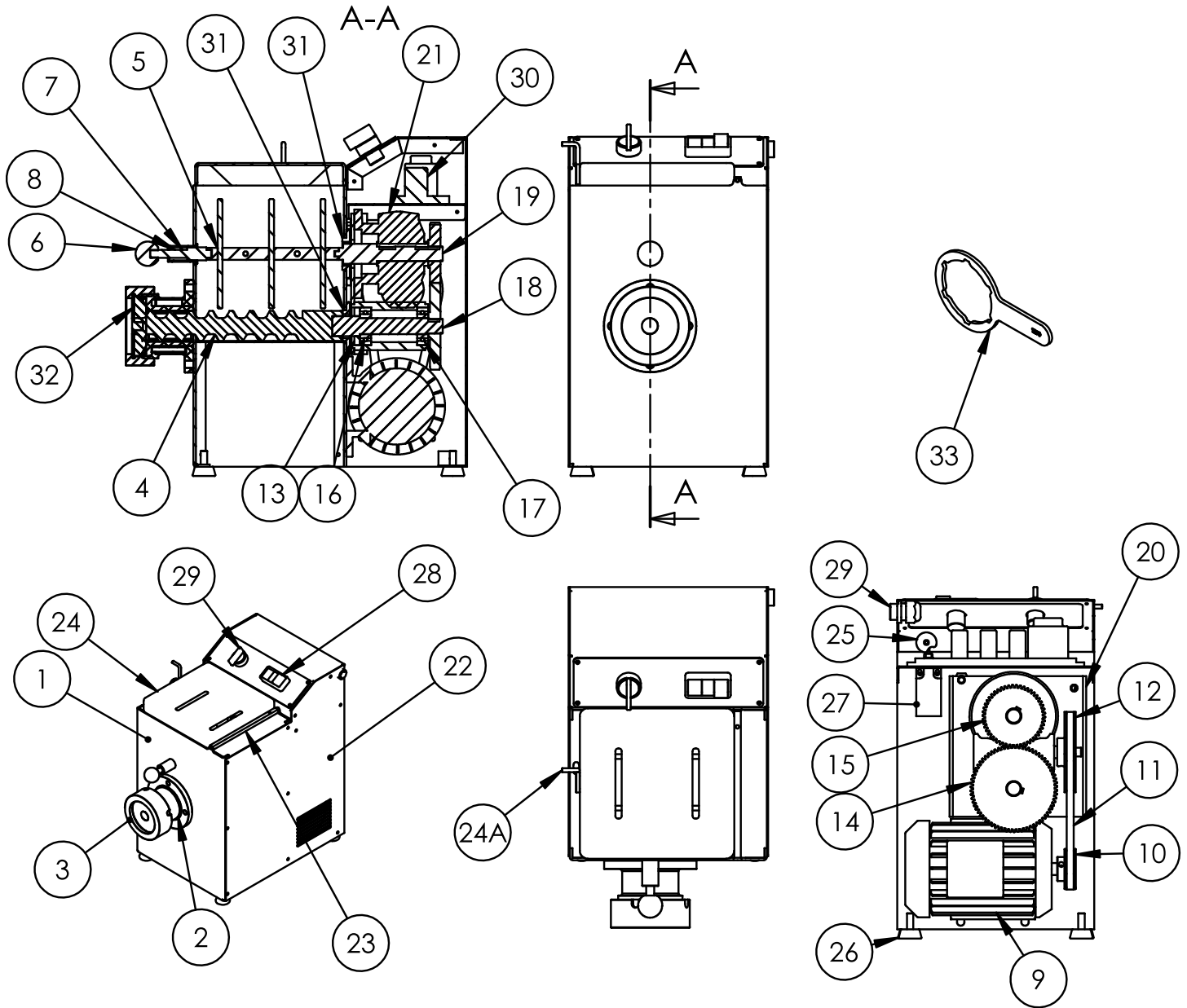


Fig. 13

# Parts Breakdown

Model PM-IT-0004 13320



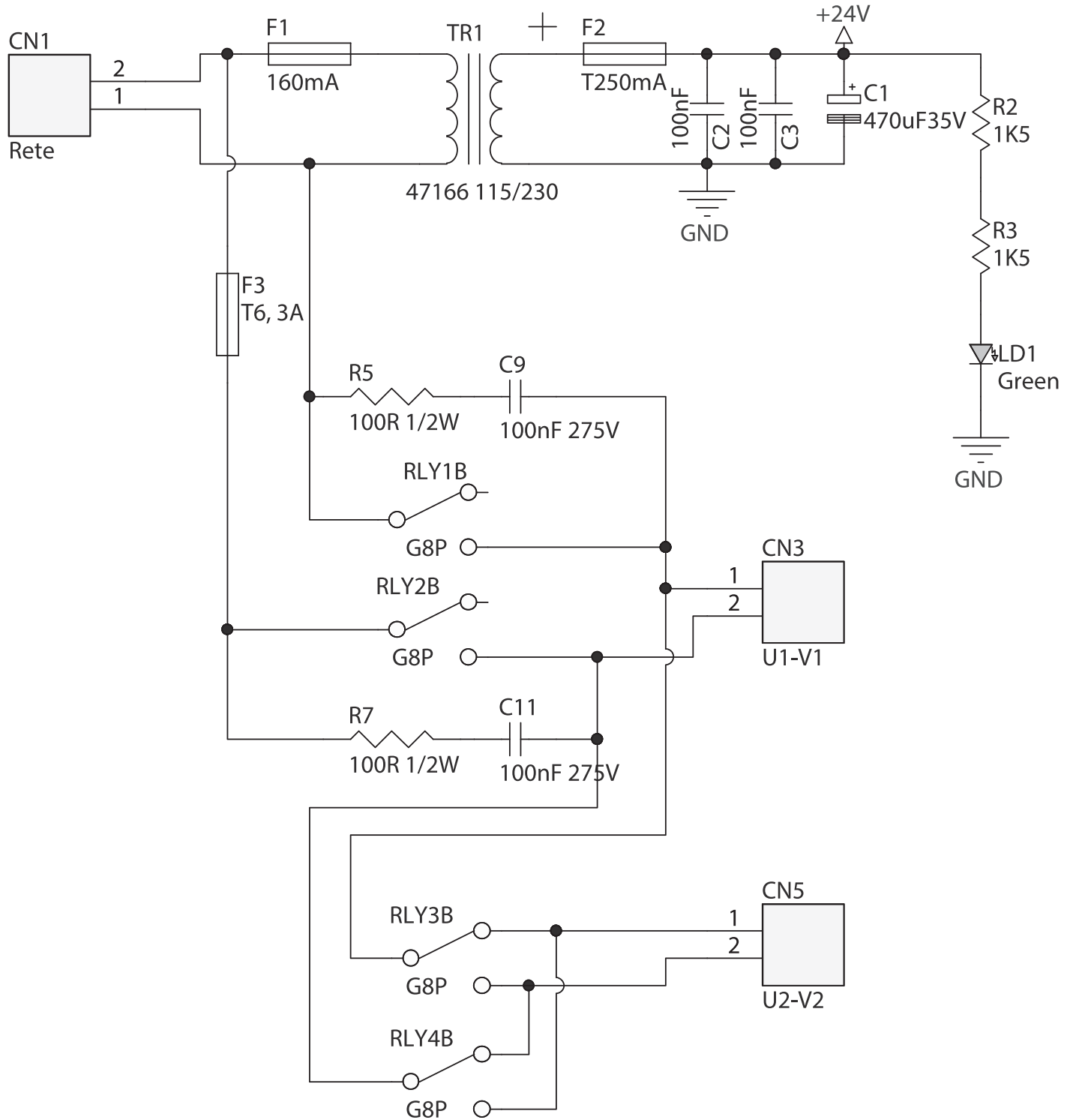
# Parts Breakdown

## Model PM-IT-0004 13320

Item No.	Description	Position	Item No.	Description	Position	Item No.	Description	Position
74564	Tub for TR701PH	1	74576	Gasket for TR701PH	13	74588	Handle on the Lid for TR701PH	24A
74565	Sleeve for TR701PH	2	74577	Sprocket Z=70 M=1.5 for TR701PH	14	74589	Cam for Microswitch for TR701PH	25
74566	Fixing Ring for TR701PH	3	74578	Sprocket Z=50 M=1.5 for TR701PH	15	74590	Leg for TR701PH	26
74567	Worm for TR701PH	4	74579	Bearing 7204 for TR701PH	16	74591	Microswitch Pizzato FR515 for TR701PH	27
74568	Mixer for TR701PH	5	74580	Bearing 6204 for TR701PH	17	74592	Start Button Stop for TR701PH	28
74569	Spherical Grip for TR701PH	6	74581	Lower Shaft for TR701PH	18	74593	Reversing Direction for TR701PH	29
74570	Spring Pin for TR701PH	7	74582	Tree Top for TR701PH	19	74594	Complete Electrical System for TR701PH	30
74571	Tree Stand Mixer for TR701PH	8	74583	Support Plate for TR701PH	20	41411	Sealing Ring for TR701PH	31
74572	Motor MM63 for TR701PH	9	74584	Reduction for TR701PH	21	74595	Cork for TR701PH	32
74573	Pulley Engine for TR701PH	10	74585	Cater Back for TR701PH	22	74596	Key Fixing Ring for TR701PH	33
74574	Belt Z19 1/2 for TR701PH	11	74586	Rod Cover for TR701PH	23	78631	Control Panel for TR701PH	
74575	Pulley Diameter 100 SPZ1 for TR701PH	12	74587	Cover for TR701PH	24			

# Electrical Schematics

Model PM-IT-0004 13320





# Warranty Registration

Thank you for purchasing an Omcan product. To register your warranty for this product, complete the information below, tear off the card at the perforation and then send to the address specified below. You can also register online by visiting:

Merci d'avoir acheté un produit Omcan. Pour enregistrer votre garantie pour ce produit, complétez les informations ci-dessous, détachez la carte au niveau de la perforation, puis l'envoyer à l'adresse spécifiée ci-dessous. Vous pouvez également vous inscrire en ligne en visitant:

Gracias por comprar un producto Omcan usted. Para registrar su garantía para este producto, complete la información a continuación, cortar la tarjeta en la perforación y luego enviarlo a la dirección indicada a continuación. También puede registrarse en línea en:

[www.omcan.com/warrantyregistration.html](http://www.omcan.com/warrantyregistration.html)

For mailing in Canada

Pour postale au Canada

Por correo en Canadá

**OMCAN**

PRODUCT WARRANTY REGISTRATION

3115 Pepper Mill Court,

Mississauga, Ontario

Canada, L5L 4X5

For mailing in the US

Pour diffusion aux États-Unis

Por correo en los EE.UU.

**OMCAN**

PRODUCT WARRANTY REGISTRATION

4450 Witmer Industrial Estates, Unit 4,

Niagara Falls, New York

USA, 14305

*or email to: [service@omcan.com](mailto:service@omcan.com)*



Purchaser's Information

Name: \_\_\_\_\_

Address: \_\_\_\_\_

City: \_\_\_\_\_ Province or State: \_\_\_\_\_ Postal or Zip: \_\_\_\_\_

Country: \_\_\_\_\_

Dealer from which Purchased: \_\_\_\_\_

Dealer City: \_\_\_\_\_ Dealer Province or State: \_\_\_\_\_

Invoice: \_\_\_\_\_

Model Name: \_\_\_\_\_ Model Number: \_\_\_\_\_

Machine Description: \_\_\_\_\_

Date of Purchase (MM/DD/YYYY): \_\_\_\_\_

Would you like to extend the warranty?  Yes  No

Company Name: \_\_\_\_\_

Telephone: \_\_\_\_\_

Email Address: \_\_\_\_\_

Type of Company:

Restaurant  Bakery  Deli

Butcher  Supermarket  Caterer

Institution (*specify*): \_\_\_\_\_

Other (*specify*): \_\_\_\_\_

Serial Number: \_\_\_\_\_

Date of Installation (MM/DD/YYYY): \_\_\_\_\_

**Thank you for choosing Omcan | Merci d'avoir choisi Omcan | Gracias por elegir Omcan**



Since 1951 Omcan has grown to become a leading distributor of equipment and supplies to the North American food service industry. Our success over these many years can be attributed to our commitment to strengthen and develop new and existing relationships with our valued customers and manufacturers. Today with partners in North America, Europe, Asia and South America, we continually work to improve and grow the company. We strive to offer customers exceptional value through our qualified local sales and service representatives who provide convenient access to over 3,500 globally sourced products.

---

Depuis 1951 Omcan a grandi pour devenir un des “leaders” de la distribution des équipements et matériel pour l’industrie des services alimentaires en Amérique du Nord. Notre succès au cours de ces nombreuses années peut être attribué à notre engagement à renforcer et à développer de nouvelles et existantes relations avec nos clients et les fabricants de valeur. Aujourd’hui avec des partenaires en Amérique du Nord, Europe, Asie et Amérique du Sud, nous travaillons continuellement à améliorer et développer l’entreprise. Nous nous efforçons d’offrir à nos clients une valeur exceptionnelle grâce à nos ventes locales qualifiées et des représentants de service qui offrent un accès facile à plus de 3500 produits provenant du monde entier.

---

Desde 1951 Omcan ha crecido hasta convertirse en un líder en la distribución de equipos y suministros de alimentos en América del Norte industria de servicios. Nuestro éxito en estos años se puede atribuir a nuestro compromiso de fortalecer y desarrollar nuevas relaciones existentes con nuestros valiosos clientes y fabricantes. Hoy con socios de América del Norte, Europa, Asia y América del Sur, que trabajan continuamente para mejorar y crecer la empresa. Nos esforzamos por ofrecer a nuestros clientes valor excepcional a través de nuestro local de ventas y representantes de los servicios que proporcionan un fácil acceso a más de 3,500 productos con origen a nivel mundial.

